

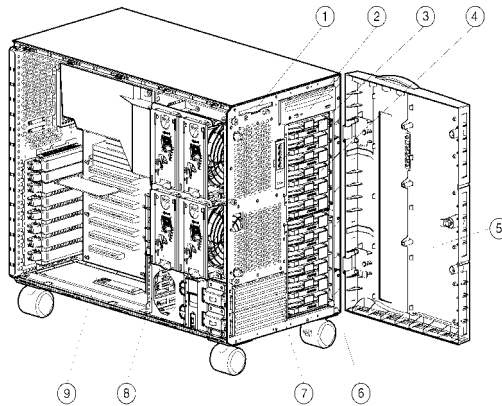
Overview

WHAT'S NEW

- The fastest two-way server now even faster with the new Intel Pentium® III Xeon™ 933 MHz

AT A GLANCE

- Completely redesigned chassis for maximum system expansion capabilities
- Redundant options provide maximum uptime
- Intel Pentium III Xeon 933 MHz, 866 MHz or 800 MHz Processor (dual processor capability)
- 256-KB level 2 writeback cache per processor
- Next generation Highly Parallel System Architecture using the ServerWorks LE 3.0 Chipset with 133-MHz Front Side Bus
- 128MB PC133MHz Registered ECC SDRAM memory (256MB memory standard on Array Models) expandable to 4 GB
- 64-bit PCI for latest I/O performance
- Eight total PCI slots: two 64-bit, 66MHz, five 64-bit, 33MHz, and one 32-Bit, 33MHz
- Integrated Dual Channel Wide Ultra2 SCSI Adapter
- Wide Ultra2/Ultra3 SCSI Drive Cage standard (6 x 1")
- Optional Wide Ultra2/Ultra3 SCSI Drive Cage (6 x 1")
- Internal mass storage capacity up to 436.8 GB (with optional 6x1" hot plug drive cage and power supply installed)
- Integrated Remote Console and Automatic Server Recovery-2 (ASR-2)
- 450-Watt Hot Pluggable Power Supply with optional Hot Plug Redundant Power Supply (RPS)
- Compaq Insight Manager and SmartStart
- Protected by a Global three-year, on-site limited warranty with next business day response, and extended Pre-Failure Warranty which covers processors, memory and disk drives, as well as a wide range of Compaq Services — Certain restrictions and exclusions apply. Consult the Compaq Customer Support Center at 1-800-345-1518 for details.

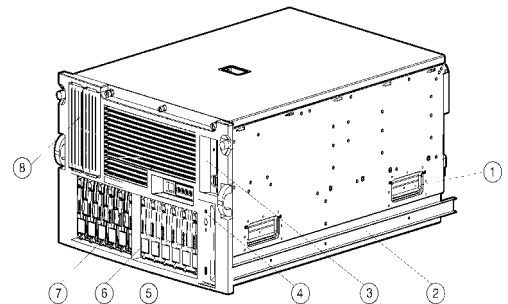


Tower Models

1. 1.44-MB Floppy Drive
2. High Speed IDE CD-ROM
3. Diagnostic Lighting
4. Wide Ultra2/Ultra3 Hot Plug Drive Cage (6 x 1") (Optional)
5. Front Bezel
6. Wide Ultra2/Ultra3 Hot Plug Drive Cage (6 x 1") (Standard)
7. 5.25-inch Removable Media Bays
8. Hot Plug Fans with Optional Redundant Hot Plug Fans shown
9. Eight PCI Slots

Rack Models

1. Rack handles
2. Sliding Rails
3. 1.44MB Floppy Drive
4. High Speed IDE CD-ROM Drive
5. Diagnostic Lighting
6. Wide Ultra2/Ultra3 Hot Plug Drive Cage (6 x 1") (Optional shown)
7. Wide Ultra2/Ultra3 Hot Plug Drive Cage (6 x 1") (standard drive cage)
8. 5.25-inch Removable Media Bays



QUICK SPECS

Compaq *ProLiant* ML530

Standard Features

MODELS

Compaq *ProLiant*™ ML530

Available in multiple configurations

Processor – One of the following:

Intel Pentium III Xeon processor 933 MHz
Intel Pentium III Xeon processor 866 MHz
Intel Pentium III Xeon processor 800 MHz

Cache Memory

256-KB level 2 writeback cache per processor

Upgradability

Upgradable to dual processing

Memory

Standard	128 MB (PC133MHz Registered ECC SDRAM DIMM Memory)
Maximum	4 GB

Network Controller

NC3123 Fast Ethernet NIC PCI 10/100 WOL

Expansion Slots

I/O (Total)	8
64-bit, 66 MHz PCI	2
64-bit, 33 MHz PCI	5
32-bit, 33 MHz PCI	1

Storage Controller

Integrated Dual Channel Wide Ultra2 SCSI Adapter

Storage

Diskette Drive	1.44 MB
CD-ROM	High Speed IDE CD-ROM Drive
Hard Drives	None
Maximum Internal Storage	436.8 GB (with optional drive cage)

Interfaces

Parallel	1
Serial	2
Pointing Device (Mouse)	1
Graphics	1
Hot Plug Keyboard	1
Network RJ-45	1

Graphics

Integrated ATI Rage IIC Video Controller with 4MB Video Memory

Form Factor

Tower or Rack (7U)

Compaq Software

Compaq <i>Insight Manager</i> ™	The comprehensive system management tool that monitors the operation of Compaq servers, workstations and clients
Compaq <i>SmartStart</i> ™	The server configuration and software integration tool from Compaq
Array Configuration Utility (ACU) with Smart Array Controllers	Same easy to use yet powerful graphical user interface (GUI) configuration utility and easy to navigate wizards for all Smart Array Controllers

Standard Features

Manageability

Automatic Server Recovery-2 (ASR-2)
Integrated Remote Console (IRC)
 Hardware Remote Console
 Full Remote Server Reboot Capability
 Reset and Failure Sequence Replay
 Host Hardware Independent
 Operating System Independent
Server Health Logging
Revision History Table
Automatic Revision Tracking
Drive Parameter Tracking (with Smart Array Controller)
Dynamic Sector Repairing (with Smart Array Controller)
Off-Line Backup Processor capability
Pre-Failure Warranty (covers processors, hard drives and memory)

Security

Power-on password
Hot plug keyboard password
Diskette drive control
Diskette boot control
QuickLock, Network Server Mode
Parallel and serial interface control
Administrator's password
Disk configuration lock

Power Supply

450W Hot Pluggable Power Supply (one standard)

- Additional power supply required if a second optional drive cage is installed. A third power supply required for redundancy when the optional drive cage is installed.

Required Cabling

For required cabling information, refer to the Compaq website at <http://www.compaq.com/products/servers/proliantML530>.

Note: This web site is available in English only.

OS Support

Microsoft Windows NT Server
Microsoft Windows 2000
Novell NetWare
SCO OpenServer
SCO UnixWare
IBM OS/2 Warp Family
LINUX (RedHat, S.U.S.E., TurboLinux Server, Caldera eServer)
Sun Solaris Intel Platform Edition
Banyan VINES

Note: For a more complete and up-to-date listing of supported OS's and versions, please visit our OS Support Matrix at: <ftp://ftp.compaq.com/pub/products/servers/os-support-matrix-310.pdf>.

Note: For an up-to-date listing of the latest drivers available for the Compaq ProLiant ML530, please see: <http://www.compaq.com/support/files/server/us/index.html>.

Standard Features

Service and Support

Compaq Services provides a full range of service offerings, including a three-year, limited warranty fully supported by a worldwide network of resellers and service providers, lifetime toll-free 7 x 24 hardware technical phone support, and Pre-Failure Warranty coverage of hard drives, memory and processors. In addition, Compaq Services offers Site Inspection, Installation Support, and Warranty Upgrades to 4 hour response, Software Support, and full Account Management Solutions. Disaster recovery services are available through partnership with Comdisco.

Note: Certain restrictions and exclusions apply. Consult the Compaq Customer Support Center at 1-800-345-1518 for details.

Standard Features

Tower Models

ML530T01 X933-256K
161156-xx1

Processor(s)	Intel Pentium III Xeon processor 933 MHz	Network Controller	NC3123 Fast Ethernet NIC PCI 10/100 WOL
Cache Memory	256-KB level 2 writeback cache per processor	Storage Controller	Integrated Dual Channel Wide Ultra2 SCSI Adapter
Memory	PC133MHz Registered ECC SDRAM DIMM	Internal Storage	436.8 GB max
Standard	128 MB	Optical Drive	High Speed IDE CD-ROM Drive
Maximum	4 GB	Form Factor	Tower (7U)

ML530T01 X866-256K
161150-xx1

Processor(s)	Intel Pentium III Xeon processor 866 MHz	Network Controller	NC3123 Fast Ethernet NIC PCI 10/100 WOL
Cache Memory	256-KB level 2 writeback cache per processor	Storage Controller	Integrated Dual Channel Wide Ultra2 SCSI Adapter
Memory	PC133MHz Registered ECC SDRAM DIMM	Internal Storage	436.8 GB max
Standard	128 MB	Optical Drive	High Speed IDE CD-ROM Drive
Maximum	4 GB	Form Factor	Tower (7U)

ML530T01 X800-256K
161148-xx1

Processor(s)	Intel Pentium III Xeon processor 800 MHz	Network Controller	NC3123 Fast Ethernet NIC PCI 10/100 WOL
Cache Memory	256-KB level 2 writeback cache per processor	Storage Controller	Integrated Dual Channel Wide Ultra2 SCSI Adapter
Memory	PC133MHz Registered ECC SDRAM DIMM	Internal Storage	436.8 GB max
Standard	128 MB	Optical Drive	High Speed IDE CD-ROM Drive
Maximum	4 GB	Form Factor	Tower (7U)

ML530R01 X933-256K
161158-xx1

Processor(s)	Intel Pentium III Xeon processor 933 MHz	Network Controller	NC3123 Fast Ethernet NIC PCI 10/100 WOL
Cache Memory	256-KB level 2 writeback cache per processor	Storage Controller	Integrated Dual Channel Wide Ultra2 SCSI Adapter
Memory	PC133MHz Registered ECC SDRAM DIMM	Internal Storage	436.8 GB max
Standard	128 MB	Optical Drive	High Speed IDE CD-ROM Drive
Maximum	4 GB	Form Factor	Rack (7U)

ML530R01 X866-256K
161151-xx1

Processor(s)	Intel Pentium III Xeon processor 866 MHz	Network Controller	NC3123 Fast Ethernet NIC PCI 10/100 WOL
Cache Memory	256-KB level 2 writeback cache per processor	Storage Controller	Integrated Dual Channel Wide Ultra2 SCSI Adapter
Memory	PC133MHz Registered ECC SDRAM DIMM	Internal Storage	436.8 GB max
Standard	128 MB	Optical Drive	High Speed IDE CD-ROM Drive
Maximum	4 GB	Form Factor	Rack (7U)

QUICK SPECS

Compaq *ProLiant* ML530

Standard Features

ML530R01 X800-256K
161149-xx1

Processor(s)	Intel Pentium III Xeon processor 800 MHz	Network Controller	NC3123 Fast Ethernet NIC PCI 10/100 WOL
Cache Memory	256-KB level 2 writeback cache per processor	Storage Controller	Integrated Dual Channel Wide Ultra2 SCSI Adapter
Memory	PC133MHz Registered ECC SDRAM DIMM	Internal Storage	436.8 GB max
Standard	128 MB	Optical Drive	High Speed IDE CD-ROM Drive
Maximum	4 GB	Form Factor	Rack (7U)

Country Code Key

XX=00	U.S. English
XX=01	Australia
XX=02	Int'l
XX=03	UK
XX=04	Germany
XX=05	France
XX=37	APD
XX=29	Japan
XX=AA	PRC

Options

Processor

X933 Pentium III 256K Xeon Processor Option Kit	174882-B21
X866 Pentium III 256K Xeon Processor Option Kit	174881-B21
X800 Pentium III 256K Xeon Processor Option Kit	166054-B21

Memory (DIMMs)

512-MB PC133MHz Registered ECC SDRAM DIMM Memory Option Kit	128279-B21
256-MB PC133MHz Registered ECC SDRAM DIMM Memory Option Kit	128278-B21
128-MB PC133MHz Registered ECC SDRAM DIMM Memory Option Kit	128277-B21
64-MB PC133MHz Registered ECC SDRAM DIMM Memory Option Kit	128276-B21

Optical Drives

DVD-ROM Drive Option Kit (opal) (DVD-ROM Drive Option Kit only supported by Windows NT or Windows 2000 OS.) Note: The DVD-ROM drive is only supported in the CD-ROM bay.	388481-B21
DVD-ROM Drive Option Kit (opal) (Japan) (DVD-ROM Drive Option Kit only supported by Windows NT or Windows 2000 OS.) Note: The DVD-ROM drive is only supported in the CD-ROM bay.	388481-291

Internal Storage

Wide Ultra2/Ultra3 Simplex Drive Cage Option Kit (6x1") (Includes power supply)	128288-001
Wide Ultra2/Ultra3 Simplex Drive Cage Option Kit (6x1") (Includes power supply) (Australia)	128288-011
Wide Ultra2/Ultra3 Simplex Drive Cage Option Kit (6x1") (Includes power supply) (EURO)	128288-021
Wide Ultra2/Ultra3 Simplex Drive Cage Option Kit (6x1") (Includes power supply) (Japan)	128288-291

Hard Drives

Wide Ultra3 SCSI – Universal Hot Plug

36.4-GB Wide Ultra3 SCSI 10,000 rpm Drive (1")	176496-B22
18.2-GB Wide Ultra3 SCSI 10,000 rpm Drive (1")	142673-B22
9.1-GB Wide Ultra3 SCSI 10,000 rpm Drive (1")	142671-B22
18.2-GB Wide Ultra3 SCSI 15,000 rpm Drive (1")	188122-B22
9.1-GB Wide Ultra3 SCSI 15,000 rpm Drive (1")	188120-B22

Note: Wide Ultra3 Drives require an optional Wide Ultra3 Controller to support Ultra3 transfer rates.

Wide Ultra2 SCSI – Universal Hot Plug

18.2-GB Wide Ultra2 SCSI Drive (1")	388144-B22
9.1-GB Wide Ultra2 SCSI Drive (1")	123065-B22

Storage Controllers

Smart Array 431 Controller	127695-B21
Smart Array 431 Controller (Japan)	127695-291
Smart Array 3200 Controller	295643-B21
Smart Array 3200 Controller (Japan)	295643-291
Smart Array 4200 Controller	295636-B21
Smart Array 4200 Controller (Japan)	295636-291
Smart Array 5302/32 Controller	166207-B21
Smart Array 5302/32 Controller (Japan)	166207-291
Smart Array 5302/64 Controller	124992-B21
Smart Array 5302/64 Controller (Japan)	124992-291
Smart Array 5304/128 Controller	158939-B21
Smart Array 5304/128 Controller (Japan)	158939-291
Ultra3 Channel Expansion Module for Smart Array 5300 Controller	153507-B21
64-Bit/66MHz Single Channel Wide Ultra3 SCSI Adapter	154457-B21
64-Bit/66MHz Single Channel Wide Ultra3 SCSI Adapter (Japan)	154457-291
64-Bit/66MHz Dual Channel Wide Ultra3 SCSI Adapter	129803-B21
64-Bit/66MHz Dual Channel Wide Ultra3 SCSI Adapter (Japan)	129803-291

Options

Communications

Compaq NC3122 Fast Ethernet NIC PCI Dual 10/100	317450-B21
Compaq NC3123 Fast Ethernet NIC PCI 10/100 WOL	174830-B21
Compaq NC6132 Gigabit Module 1000 SX Upgrade Module for NC3134 and NC3131	338456-B23
Compaq NC6133 Gigabit Module 1000LX Upgrade Module for NC3134 and NC3131	338456-B24
Compaq NC3133 Fast Ethernet Module 100FX Upgrade Module for NC3134 and NC3131	338456-B25
Compaq NC6134 Gigabit NIC 64 PCI 1000SX	174818-B21
Compaq NC3134 Fast Ethernet NIC 64 PCI Dual Port 10/100	138603-B21
Compaq NC3135 Fast Ethernet Upgrade Module	138604-B21
Compaq NC4621 Token Ring NIC PCI 4/16 WOL	379956-B21
IBM 16/4 Token Ring PCI Special	133749-B21
ServerNet PCI Adapter	309833-B22
4M Cable	309834-B23
30M Cable	309834-B22
ServerNet II PCI Adapter Card Kit	174736-B21
ServerNet II 12-Port Copper Serial Switch Kit (US)	174739-001
ServerNet II 12-Port Copper Serial Switch Kit (Int'l)	174739-B31
ServerNet II 5-meter Copper Serial Cable Kit	174737-B21
ServerNet II 10-meter Copper Serial Cable Kit	174738-B22

Internal Tape Drives

Note: In order to install certain tape drives internally, you may need to remove the rails that come standard on the drives and then re-insert the screws in the mounting holes.

Internal 20/40-GB DAT DDS-4 Tape Drive	157769-B21
Internal 12/24-GB DAT Drive (Opal)	295513-B22
Internal 12/24-GB DAT Drive (Opal) (Japan)	295513-292
Internal 40/80-GB DLT Drive	146196-B21
Internal 35/70-GB DLT Drive	242520-B21
Internal 35/70-GB DLT Drive (Japan)	242520-291
Internal 20/40-GB DLT Drive (Opal)	340743-B22
Internal 20/40-GB DLT Drive (Opal) (Japan)	340743-292
Internal AIT 50-GB Tape Drive	157766-B21
Internal AIT 35-GB Tape Drive	388504-B21
20/40-GB DAT DDS-4 8 Cassette Autoloader, Internal	166504-B21
DDS-4 Media (10 pack)	152842-001
20/40-GB DAT DDS-4 8 Cassette Magazine with Media	171532-B21
12.0-GB DDS-3 DAT Cassette (10 Pack)	295515-B21
DAT Cleaning Cassette	242781-001
AIT 35-GB Data Cassette (5 pack)	402371-B21
AIT 50-GB Data Cassette (5 pack)	152841-001
AIT Cleaning Cassette	402374-B21
DLT IV Drive Cartridge (single)	295194-B21
DLT IV Drive Cartridge (7 pack)	295192-B21
DLT Cleaning Cartridge	199704-001

Note: Please see the Compaq 20/40-GB DAT Drive, Compaq 12/24-GB DAT Drive, Compaq 40/80-GB DLT Drive, Compaq 35/70-GB DLT Drive, Compaq 20/40-GB DLT Drive, Compaq AIT 50-GB Tape Drive, Compaq AIT 35-GB Tape Drive, or the Compaq 20/40-GB DAT DDS-4 8 Cassette Autoloader for an up-to-date listing of the latest O/S Support details, please see the following:

http://www.compaq.com/products/quickspecs/North_America/10233_na.html (North America)

http://www.compaq.com/products/quickspecs/Division/10233_div.html (Division/World Wide)

Options

Redundant Options

Redundant Fan Kit	128284-B21
Compaq Hot Plug Redundant Power Supply (The Compaq Hot Plug Power Supply ships standard with the ProLiant ML530. A second one is required for redundancy.)	128286-001
Compaq Hot Plug Redundant Power Supply (Australia) (The Compaq Hot Plug Power Supply ships standard with the ProLiant ML530. A second one is required for redundancy.)	128286-011
Compaq Hot Plug Redundant Power Supply (Int'l) (The Compaq Hot Plug Power Supply ships standard with the ProLiant ML530. A second one is required for redundancy.)	128286-021
Compaq Hot Plug Redundant Power Supply (Japan) (The Compaq Hot Plug Power Supply ships standard with the ProLiant ML530. A second one is required for redundancy.)	128286-291

Management Options

Compaq Remote Insight Lights-Out Edition (NA, LA)	157866-001
Compaq Remote Insight Lights-Out Edition (EURO)	157866-021
Compaq Remote Insight Lights-Out Edition (ADP, Japan)	157866-371
Compaq Remote Insight (PCI) LAN + NA Modem	294013-002
Compaq Remote Insight (PCI) LAN + NA Modem (PAN EURO)	294013-B32
Compaq Remote Insight Board (PCI) LAN/Serial without modem	294013-B24
Compaq Remote Insight Board (PCI) LAN/Serial without modem (Japan)	294013-294
Compaq Remote Insight Board (PCI) LAN only	294013-B25
Compaq Remote Insight Board (PCI) LAN only (Japan)	294013-295

Monitors

TFT8020 18" Flat Panel Monitor (Opal)	326100-xxx
TFT8020 18" Flat Panel Monitor (Carbon)	159244-xxx
TFT8020 18" Flat Panel Monitor (Opal, bulked packed 2 monitor heads per box)	173610-xxx
TFT5010 15" Flat Panel Monitor (Opal)	104741-xxx
TFT5010 15" Flat Panel Monitor (Carbon)	154486-xxx
TFT5005 15" Flat Panel Monitor (Opal)	201431-xxx
TFT5005 15" Flat Panel Monitor (Carbon)	201430-xxx
TFT5000R Flat Panel Monitor	120207-xxx
P1100 Color Monitor	325606-xxx
P900 Color Monitor	386326-xxx
P700 Color Monitor	380207-xxx
V1100 Color Monitor	386472-xxx
V710 Color Monitor	187895-xxx
V500 Color Monitor	325900-xxx
S510 Color Monitor	168636-xxx
S910 Color Monitor	138485-xxx
S710 Color Monitor	152991-xxx

Note: Monitors larger than 17" may be too heavy for use in rack systems.

Options

CRT Country Code Key

NORTH AMERICA (NA) / LATIN AMERICA (LA)

Dash #	Description		
		-201	EH model for Brazil (older Brazil models used -B29)
-001	NA Kit with US Power Cord	-202	EH model for Brazil Carbon (older Brazil models used -B29)
-002	Carbon model with US Power Cord	-C91	EH model for Mercosur countries
-003	Touch Screen model with US Power Cord	-C92	EH model for Mercosur countries Carbon
-004	NAFTA model with US Power Cord (Made in Mexico)	-B29	EH / ALADI model for Latin America
-005	NA Kit with Powered Speakers		
-006	GSA model with US Power Cord		
-007	NH MPR model with US power cord (Made in Mexico)		
-B24	TCO model without power cord (Digital Classic)		

Note: All NA/LA models above are NH

EUROPE, MIDDLE EAST AND AFRICA (EMEA)

Dash #	Description		
-021	NH / TCO with Eurocord (DCE Hub)	-031	NH / TCO with UK Cord (UK Hub)
-022	NH / MPR with Eurocord (DCE Hub) (India)	-032	NH / MPR with UK Cord (UK Hub)
-023	NH Carbon model with Eurocord (DCE Hub)	-033	NH / TCO carbon with UK Cord
-024	NH Touch Screen model with Eurocord (DCE Hub)	-035	NH Kit with Speakers and UK Cord
-025	NH Kit with Speakers and Eurocord	-B21	SH / MPR without power cord (S. Africa Hub)
-A91	NH / TCO without power cord (Dubai hub)	-B23	SH / TCO without power cord (S. Africa Hub)
-A92	NH / MPR without power cord (Dubai hub)	-B27	SH / TCO Carbon without power cord (S. Africa Hub)

PACIFIC / AUSTRALIA (APD)

Dash #	Description		
-B22	NH / MPR without power cord	-012	SH Carbon model with AUZ/NZ power cord
-B24	NH / TCO without power cord	-AD1	NH model for Korea
-B25	EH Carbon model without power cord	-AD2	NH Carbon model for Korea
-B26	NH Touch Screen model without power cord	-B28	EH model without power cord
-011	SH model with AUZ/NZ power cord	-B35	EH model with speakers no power cord (Singapore)
-015	SH model with speakers AUZ/NZ power cord		

GREATER CHINA (GCD)

Dash #	Description		
-AA1	NH / China Kit with CCIB label (Local Sales)	-KA1	NH / China Kit with CCIB label (External Sales/Bundles in HK)
-AA2	NH/ Carbon China Kit with CCIB label (Local Sales)	-AB1	NH / Taiwan kit, mfg. in Taiwan

JAPAN (CKK)

Dash #	Description		
-291	NH / Japan Kit with 3-2 pin adapter	-292	NH Carbon Japan Kit with 3-2 pin adapter

Options

TFT Country Code Key

EUROPE, MIDDLE EAST & AFRICA (EMEA)

Dash #	Description		
--------	-------------	--	--

-AA1	NH / China Kit with CCIB label (Local Sales)	-KA1	NH / China Kit with CCIB label (External Sales/Bundles in HK)
------	--	------	---

-AA2	NH/ Carbon China Kit with CCIB label (Local Sales)	-AB1	NH / Taiwan kit, mfg. in Taiwan
------	--	------	---------------------------------

NORTH AMERICA

Dash #	Description		
--------	-------------	--	--

-001	NA	-B24	All NA/LA models
------	----	------	------------------

APD

Dash #	Description
--------	-------------

-011	Australia/NZ
------	--------------

JAPAN (CKK)

Dash #	Description
--------	-------------

-291	Japan
------	-------

Options

External Tape Drives

External 20/40-GB DAT DDS-4 Tape Drive	157770-001
External 20/40-GB DAT DDS-4 Tape Drive (Int'l)	157770-B31
External 20/40-GB DAT DDS-4 Tape Drive (Japan)	157770-291
External 40/80-GB DLT Drive	146197-B21
External 40/80-GB DLT Drive (Japan)	146197-291
External 35/70-GB DLT Drive	242521-B21
External 35/70-GB DLT Drive (Japan)	242521-291
External 20/40-GB DLT Drive (Opal)	340744-B22
External 20/40-GB DLT Drive (Opal) (Japan)	340744-292
External AIT 50-GB Tape Drive	157767-001
External AIT 50-GB Tape Drive (Int'l)	157767-B31
External AIT 50-GB Tape Drive (Japan)	157767-291
External AIT 35-GB Tape Drive	388507-001
External AIT 35-GB Tape Drive (Int'l)	388507-B31
External AIT 35-GB Tape Drive (Japan)	388507-291
20/40-GB DAT 8 Cassette Autoloader External	166505-001
20/40-GB DAT 8 Cassette Autoloader External (Int'l)	166505-B31
20/40-GB DAT 8 Cassette Autoloader External (Japan)	166505-291
DDS-4 Media (10 pack)	152842-001
20/40-GB DAT 8 Cassette Magazine with Media	171532-B21
12.0-GB DDS-3 DAT Cassette (10 Pack)	295515-B21
DAT Cleaning Cassette	242781-001
AIT 35-GB Data Cassette (5 pack)	402371-B21
AIT 50-GB Data Cassette (5 pack)	152841-001
DLT IV Drive Cartridge (single)	295194-B21
DLT IV Drive Cartridge (7 pack)	295192-B21
DLT Cleaning Cartridge	199704-001

Note: Please see the Compaq 20/40-GB DAT Drive, Compaq 40/80-GB DLT Drive, Compaq 35/70-GB DLT Drive, Compaq 20/40-GB DLT Drive, Compaq AIT 50-GB Tape Drive, Compaq AIT 35-GB Tape Drive, or the Compaq 20/40-GB DAT DDS-4 8 Cassette Autoloader for an up-to-date listing of the latest O/S Support details, please see the following:

http://www.compaq.com/products/quickspecs/North_America/10233_na.html (North America)

http://www.compaq.com/products/quickspecs/Division/10233_div.html (Division/World Wide)

External Storage - Tower

Compaq StorageWorks Enclosure Model 4214T (tower)	124875-001
Compaq StorageWorks Enclosure Model 4214T (tower) (Int'l)	124875-B31
Compaq StorageWorks Enclosure Model 4214T (tower) (Japan)	124875-291
Compaq StorageWorks Enclosure Model 4314T (tower)	190210-001
Compaq StorageWorks Enclosure Model 4314T (tower) (Int'l)	190210-B31
Compaq StorageWorks Enclosure Model 4314T (tower) (Japan)	190210-291
Note: The Compaq StorageWorks Enclosure 4200/4300 Family support the Wide Ultra2/Ultra3 1" Hot Plug Hard Drives.	
SCSI Storage Expander II	332609-001
SCSI Storage Expander II (Int'l)	332609-B21
SCSI Storage Expander II (Japan)	332609-291
ProLiant Storage System Tower Model UE	348710-002
ProLiant Storage System Tower Model UE (Int'l)	348710-B32
ProLiant Storage System Tower Model UE (Japan)	348710-292
ProLiant Storage System Tower Model U2	304110-B22
ProLiant Storage System Tower Model U2 (Int'l)	304114-B32
ProLiant Storage System Tower Model U2 (Japan)	304114-292

Note: The Compaq ProLiant Storage System Models UE and U2 support the Wide-Ultra SCSI-3 Drives.

Options

External Storage – Tower (continued)

ProLiant Storage System/U Redundant Power Supply Option	224206-001
ProLiant Storage System/U Redundant Power Supply Option (Int'l)	224214-001
StorageWorks Enclosure 4200 Redundant Power Supply Option	119826-B21
StorageWorks Enclosure 4200 Ultra2 Dual Bus I/O Module Option	119829-B21
StorageWorks Enclosure 4200 Ultra3 Single Bus I/O Module Option	190212-B21
StorageWorks Enclosure 4200 Ultra3 Dual Bus I/O Module Option	190213-B21
StorageWorks Enclosure Tower to Rack Conversion Kit	150213-B21

External Storage – Rack

Compaq StorageWorks Enclosure Model 4214R (rack-mountable)	103381-001
Compaq StorageWorks Enclosure Model 4214R (rack-mountable) (Int'l)	103381-B31
Compaq StorageWorks Enclosure Model 4214R (rack-mountable) (Japan)	103381-291
Compaq StorageWorks Enclosure Model 4254R (rack-mountable)	138151-001
Compaq StorageWorks Enclosure Model 4254R (rack-mountable) (Int'l)	138151-B31
Compaq StorageWorks Enclosure Model 4254R (rack-mountable) (Japan)	138151-291
Compaq StorageWorks Enclosure Model 4314R (rack-mountable)	190209-001
Compaq StorageWorks Enclosure Model 4314R (rack-mountable) (Int'l)	190209-B31
Compaq StorageWorks Enclosure Model 4314R (rack-mountable) (Japan)	190209-291
Compaq StorageWorks Enclosure Model 4354R (rack-mountable)	190211-001
Compaq StorageWorks Enclosure Model 4354R (rack-mountable) (Int'l)	190211-B31
Compaq StorageWorks Enclosure Model 4354R (rack-mountable) (Japan)	190211-291

Note: The Compaq StorageWorks Enclosure 4200 and 4300 Family support the Wide Ultra2/Ultra3 1" Hot Plug Hard Drives.

Rack-Mountable SCSI Storage Expander II	332607-001
Rack-Mountable SCSI Storage Expander II (Int'l)	332607-B21
Rack-Mountable SCSI Storage Expander II (Japan)	332607-291
Rack-Mountable ProLiant Storage System Model UE	348700-001
Rack-Mountable ProLiant Storage System Model UE (Int'l)	348700-B31
Rack-Mountable ProLiant Storage System Model UE (Japan)	348700-291
Rack-Mountable ProLiant Storage System Model U2	304100-B22
Rack-Mountable ProLiant Storage System Model U2 (Int'l)	304104-B32
Rack-Mountable ProLiant Storage System Model U2 (Japan)	304104-292

Note: The Compaq ProLiant Storage System Models UE and U2 support the Wide-Ultra SCSI-3 Drives.

ProLiant Storage System /U Redundant Power Supply	224206-001
ProLiant Storage System /U Redundant Power Supply (Int'l)	224214-001
StorageWorks Enclosure 4200 Redundant Power Supply Option	119826-B21
StorageWorks Enclosure 4200 Dual Bus I/O Module Option	119829-B21
StorageWorks Enclosure 4200 Ultra3 Single Bus I/O Module Option	190212-B21
StorageWorks Enclosure 4200 Ultra3 Dual Bus I/O Module Option	190213-B21
StorageWorks Enclosure 4200 Tower to Rack Conversion Kit	150213-B21

Options

Server Recovery

ProLiant Storage System RSO/U Tower	387490-002
ProLiant Storage System RSO/U Tower (Int'l)	387490-B32
ProLiant Storage System RSO/U Tower (Japan)	387490-292
Rack-Mountable ProLiant Storage System RSO/U	387256-001
Rack-Mountable ProLiant Storage System RSO/U (Int'l)	387256-B31
Rack-Mountable ProLiant Storage System RSO/U (Japan)	387256-291

Note: The Compaq ProLiant Storage System RSO/U Models support the Wide-Ultra SCSI-3 Drives.

StorageWorks DLT Departmental Library

TL895 (96 slot) library unit, 2 drive	349350-B22
TL895 (96 slot) library unit, 3 drive	349350-B23
TL895 (96 slot) library unit, 4 drive	349350-B24
TL895 (96 slot) library unit, 5 drive	349350-B25
TL895 (96 slot) library unit, 6 drive	349350-B26
TL895 (96 slot) library unit, 7 drive	349350-B27
TL891 DLT library unit, 1 drive Table Top, FWD	120875-B21
TL891 DLT library unit, 2 drive Table Top, FWD	120875-B22
TL891 DLT library unit, 1 drive Rack, FWD	120876-B21
TL891 DLT library unit, 2 drive Rack, FWD	120876-B22
TL881 DLT Library unit, 1 drive Table Top, FWD	128667-B21
TL881 DLT Library unit, 2 drive Table Top, FWD	128667-B22
TL881 DLT Library unit, 1 drive Table Top, FWSE	128688-B21
TL881 DLT Library unit, 2 drive Table Top, FWSE	128688-B22
TL881 DLT Library, 1 drive Rack FWD	128669-B21
TL881 DLT Library, 2 drive Rack FWD	128669-B22
Add-On 20/40-GB Drive for TL881	128671-B21
Add-On 35/70-GB Drive for TL891	120878-B21
DLT7000 drive upgrade kit	349351-B21
Note: Available for TL895 DLT Library only.	
DLT7000 drive upgrade kit (Japan)	349351-291
Note: Available for TL895 DLT Library only.	
MiniLibrary Data Unit	128670-B21
Note: Available for TL881, TL891 DLT Libraries only.	
MiniLibrary Expansion Unit	120877-B21
Note: Available for TL881, TL891 DLT Libraries only.	
StorageWorks Dual Channel Ultra-Wide Differential Library Host Bus Adapter	157229-B21
Note: The StorageWorks Dual Channel Ultra-Wide Differential Library Host Bus Adapter is required to support FWD-based tape libraries.	
DLT IV Data Cartridges (single pack)	295194-B21
DLT IV Data Cartridges (7 pack)	295192-B21
DLT Cleaning Cartridge	199704-001
MiniLibrary pass-through Mechanism Kit	120880-B21
Note: Available for TL881, TL891 DLT Libraries only.	
10 Slot Magazine	120881-B21
Note: Available for TL881, TL891 DLT Libraries only.	
MiniLibrary Table Top to Rack Mount Conversion Kit, Metric/RETMA racks	120882-B21
Note: Available for TL881, TL891 DLT Libraries only.	
MiniLibrary Table Top to Rack Mount Conversion Kit, Compaq racks	120883-B21
Note: Available for TL881, TL891 DLT Libraries only.	

Note: Please see the TL881, TL891, or the TL895 Automated DLT Tape Library Solution QuickSpecs for additional information including Upgrade Kits, Accessories, ProLiant Connectivity Kits, Host Bus Adapters, SCSI Cable Kits, and Localization Kits and additional options needed for a complete solution at: http://www.compaq.com/products/quickspecs/North_America/10233_na.html (North America) http://www.compaq.com/products/quickspecs/Division/10233_div.html (Division/World Wide)

Options

Automated AIT Tape Library Solution

SSL2020 AIT Mini-Library 1 drive, 20 slot Table Top	175195-B21
SSL2020 AIT Mini-Library 2 drive, 20 slot Table Top	175195-B22
SSL2020 AIT Mini-Library 1 drive, 20 slot Rackmount	175196-B21
SSL2020 AIT Mini-Library 2 drive, 20 slot Rackmount	175196-B22
SSL2020 AIT Library Pass Thru with Transport	175312-B21
SSL2020 AIT Library Pass Thru Extender	175312-B22
AIT 50GB Drive Add-On LVD Drive for SSL2020 AIT Library	175197-B21
19 Slot Magazine for SSL2020 AIT Library	175198-B21
AIT 50-GB Data Cassette (5 pack)	152841-001
AIT Cleaning Cassette	402374-B21
Tabletop to Rackmount Upgrade Kit for SSL2020 AIT Library, Compaq Rack	175199-B21
Tabletop to Rackmount Upgrade Kit for SSL2020 AIT Library, RETMA racks	175199-B22

Note: Please see the AIT Automated DLT Tape Library Solution QuickSpecs for additional information including Upgrade Kits, Accessories, and SCSI Cable Kits and additional options needed for a complete solution at:
http://www.compaq.com/products/quickspecs/North_America/10233_na.html (North America)
http://www.compaq.com/products/quickspecs/Division/10233_div.html (Division/World Wide)

Tape Array Solution

TA1000 AIT Tape Array, Rackmount (US)	175005-001
TA1000 AIT Tape Array, Rackmount (Int'l)	175005-B31
TA1000 AIT Tape Array, Rackmount (Japan)	175005-291
AIT 50-GB Data Cassette (5 pack)	152841-001
AIT Cleaning Cassette	402374-B21
DLT Tape Array III Model 40/80-4	161140-001
DLT Tape Array III Model 40/80-4 (Int'l)	161140-B31
DLT Tape Array III Model 40/80-4 (Japan)	161140-291
DLT Tape Array III Model 0	168047-001
DLT Tape Array III Model 0 (Japan)	168047-291
DLT Tape Array III Model 0 (Int'l)	168047-B31
DLT Tape Array Model 0	199860-001
DLT Tape Array II Model 35/70-4 no software	295165-001
DLT Tape Array II Model 35/70-4 no software (Int'l)	295165-B31
DLT IV Data Cartridges (single pack)	295194-B21
DLT IV Data Cartridges (7 pack)	295192-B21
DLT Cleaning Cartridge	199704-001
DLT Library Tabletop Conversion Kit	350384-B21
Tape Array Cable Kit	242427-001
Note: Available for the DLT Tape Array and DLT Tape Array II only.	
DLT Tape Array III Model 0, LVD Cable Kit	168048-B21
Note: Available for the DLT Tape Array III Model.	

Note: Please see the Compaq TA1000 AIT Tape Array or Compaq DLT Tape Array II QuickSpecs for additional information including Tape Drives, Cartridges, Controllers, and SCSI Cables and additional options needed for a complete solution at:
http://www.compaq.com/products/quickspecs/North_America/10233_na.html (North America)
http://www.compaq.com/products/quickspecs/Division/10233_div.html (Division/World Wide)

Options

StorageWorks Enterprise Tape Library

ESL9236D Enterprise Library 6 35/70 Drive	146205-B23
ESL9236D Enterprise Library 8 35/70 Drive	146205-B24
ESL9236D Enterprise Library 10 35/70 Drive	146205-B25
ESL9236D Enterprise Library 12 35/70 Drive	146205-B26
ESL9236D Enterprise Library 14 35/70 Drive	146205-B27
ESL9236D Enterprise Library 16 35/70 Drive	146205-B28
Library Ready 35/80GB DLT Hot-Swap Drive for ESL9326D	146209-B21
ESL 9000 Pass Through Kit for Multi User Connectivity	161268-B21
StorageWorks Dual Channel Ultra-Wide Differential Library Host Bus Adapter	157229-B21
Note: The StorageWorks Dual Channel Ultra-Wide Differential Library Host Bus Adapter is required to support the ESL9236D Library.	
DLT IV Data Cartridges (single pack)	295194-B21
DLT IV Data Cartridges (7 pack)	295192-B21
DLT Cleaning Cartridge	199704-001

Note: Please see the Compaq StorageWorks Enterprise Backup Solution QuickSpecs for additional information including Tape Drives, Cartridges, Controllers, and SCSI Cables and additional options needed for a complete solution at:

http://www.compaq.com/products/quickspecs/North_America/10233_na.html (North America)
http://www.compaq.com/products/quickspecs/Division/10233_div.html (Division/World Wide)

StorageWorks RAID Array 4100

StorageWorks Raid Array 4100 (rack)	146013-001
StorageWorks Raid Array 4100 (rack) (Int'l)	146013-B31
StorageWorks Raid Array 4100 (rack) (Japan)	146013-291
Fibre Channel Storage Hub 12	295573-001
Fibre Channel Storage Hub 12 (Int'l)	295573-B31
Fibre Channel Storage Hub 12 (Japan)	295573-291
Fibre Channel Storage Hub 7	234453-001
Fibre Channel Storage Hub 7 (Int'l)	234453-B31
Fibre Channel Storage Hub 7 (Japan)	234453-291
Compaq Storage Hub 7 Universal Rack Mount Kit	136127-B21
Fibre Channel Storage Hub – 12 Port with 41U/42U Bracket	295573-B22
Compaq Storage Hub 12 Management Option	159262-B21
64-Bit/66MHz Fibre Channel Host Adapter	120186-B21
64-Bit/66MHz Fibre Channel Host Adapter (Japan)	120186-291
Fibre Channel Host Adapter Redundancy Kit	174681-B21
StorageWorks Raid Array 4000 Redundant Array Controller	223187-B21
StorageWorks Fibre Channel Arbitrated Loop Switch 8	177862-B21
StorageWorks Fibre Channel Arbitrated Loop Switch 8 (Japan)	177862-291
StorageWorks Fibre Channel Arbitrated Loop 3-Port Expansion Module	177863-B21
GBIC-SW Connector Kit (two each)	234459-B21
GBIC-LW Connector Kit (two each)	340412-B21
Fibre Channel Connection Kit, 3 SW GBICS, 2 Cables	380579-B21
Fibre Channel Connection Kit, 2 SW GBICS, 2 Cables	380596-B21
Fibre Channel Short Wave GBIC	380561-B21
Fibre Channel Long Wave GBIC	127508-B21
2m Multi-Mode Fibre Channel Cable	234457-B21
5m Multi-Mode Fibre Channel Cable	234457-B22
15m Multi-Mode Fibre Channel Cable	234457-B23
30m Multi-Mode Fibre Channel Cable	234457-B24
50m Multi-Mode Fibre Channel Cable	234457-B25
Raid Array 4000 Redundant Power Supply	224206-001
Raid Array 4000 Tower to Rack Conversion Kit	297162-B21
Raid Array 4100 Rack to Tower Conversion Kit	154253-B21
Upgrade Kit for ProLiant Storage System F and F1	296324-B21
Fibre Channel Troubleshooting Kit	234468-B21

Options

StorageWorks RAID Array 8000

Departmental Pedestal Models

RA8000 FC Single Controller (Opal)	400553-B22
RA8000 FC Dual Controller (Opal)	400552-B22
Expansion Cabinet 24 slot (Opal)	380570-B22

Rack Mountable Models

RA8000 FC Single Controller	400554-B21
RA8000 FC Dual Controller	400700-B21
Expansion Cabinet 24 slot	380568-B21

Note: Please see the Compaq StorageWorks Fibre Channel RAID Array 8000, ESA12000 QuickSpecs for FC Hubs, FC switches, platform software, host adapters, disks and options for complete solutions at:
http://www.compaq.com/products/quickspecs/North_America/10418_na.html (North America)
http://www.compaq.com/products/quickspecs/Division/10418_div.html (Division/World Wide)

StorageWorks Enterprise Storage Array 12000

ESA Building Blocks

High-Capacity/General Business - Dual Controllers 48 slots, 60 Hz (Opal)	400557-002
High-Capacity/General Business - Dual Controllers 48 slots, 50 Hz (Opal)	400558-B22
High Bandwidth Quad controllers 48 slots, 60 Hz (Opal)	400555-002
High Bandwidth Quad controllers 48 slots, 50 Hz (Opal)	400556-B22
Single Expansion Dual controllers 24 slots, 25U extra cabinet space, 60 Hz (Opal)	400559-002
Single Expansion Dual controllers 24 slots, 25U extra cabinet space, 50 Hz (Opal)	400560-B22
Expansion enclosure 48 slots, 60 Hz (Opal)	380640-002
Expansion enclosure 48 slots, 50 Hz (Opal)	380650-B22

Note: Please see the Compaq StorageWorks Fibre Channel RAID Array 8000, ESA12000 QuickSpecs for FC Hubs, FC switches, platform software, host adapters, disks and options for complete solutions at:
http://www.compaq.com/products/quickspecs/North_America/10418_na.html (North America)
http://www.compaq.com/products/quickspecs/Division/10418_div.html (Division/World Wide)

StorageWorks Modular Array 6000

MA6000 D14	187738-B21
MA6000 S14	187739-B21

Note: Please see the Compaq StorageWorks MA6000 QuickSpecs for FC Hubs, FC switches, platform software, host adapters, disks and options for complete solutions at:
http://www.compaq.com/products/quickspecs/North_America/10418_na.html (North America)
http://www.compaq.com/products/quickspecs/Division/10418_div.html (Division/World Wide)

StorageWorks Modular Array 8000/Enterprise Modular Array 12000

EMA12000 D14 60Hz	175990-B21
EMA12000 D14 50Hz	175990-B22
EMA12000 S14 60Hz	175991-B21
EMA12000 S14 50Hz	175991-B22
MA8000 60Hz	175992-B21
MA8000 50Hz	175992-B22
EMA12000 Blue 60Hz	175993-B21
EMA12000 Blue 50Hz	175993-B22

Note: Options include controller, solution kits, ACS. MA8000/EMA12000 includes controller shelf, drive shelves and cabinet. Packaging upgrade to RA8000/ESA12000.

Note: Please see the Compaq StorageWorks MA8000/EMA12000 QuickSpecs for FC Hubs, FC switches, platform software, host adapters, disks and options for complete solutions at:
http://www.compaq.com/products/quickspecs/North_America/10418_na.html (North America)
http://www.compaq.com/products/quickspecs/Division/10418_div.html (Division/World Wide)

Options

StorageWorks Options

Fibre Channel Tape Controller – II	152975-001
Fibre Channel Tape Controller – II (Int'l)	152975-B31
Fibre Channel Tape Controller – II (Japan)	152975-291
Fibre Channel Storage Switch 16	380578-B21
Fibre Channel Storage Switch 8	380591-B21
Fibre Channel SAN Switch/8 with Fabric Operating Software	158222-B21
Fibre Channel SAN Switch/16 with Fabric Operating Software	158223-B21
F200 Clustering Kit	380357-B21

Uninterruptible Power Systems - Tower

UPS Model T1000 (100-127 volt)	242688-001
UPS Model T1000h (208-240 volt) (Int'l)	242688-002
UPS Model T1500 (100-127 volt)	242688-003
UPS Model T1500h (208-240 Volt) (Int'l)	242688-004
UPS Model T1500j (100-127 Volt) (Japan)	242688-293
UPS Model T2000 (100-127 volt)	242688-005
UPS Model T2000j (100-127 volt) (Japan)	242688-295
UPS Model T2400h-NA (208-240 volt)	242688-006
UPS Model T2400h (208-240 volt) (Int'l)	242688-007
Multi-Server UPS Card	123508-B21
Scalable UPS Card	123509-B21
SNMP-EN Adapter	347225-B21
High to Low Voltage Transformer (250VA)	388643-B21

Uninterruptible Power Systems – Rack

Rack-Mountable UPS R1500 (100-127 VAC) (NA)	242704-001
Rack-Mountable UPS R1500h (208-240 VAC) (Int'l)	242704-002
Rack-Mountable UPS R1500j (100-127 VAC) (Japan)	242704-291
Rack-Mountable UPS R3000 (100-127 VAC) (NA)	242705-001
Rack-Mountable UPS R3000h (208-240 VAC) (Int'l)	242705-002
Rack-Mountable UPS R3000h-NA (208-240 VAC) NDC (non-detached cord)	242705-003
Rack-Mountable UPS R3000j (100-127 VAC) (Japan)	242705-291
Compaq UPS R3000 XR (120V) (NA)	192186-001
Compaq UPS R3000 XR (100V) (Japan)	192186-291
Compaq UPS R3000 XR (208V) (NA)	192186-002
Compaq UPS R3000 XR (208V) (Japan)	192186-292
Compaq UPS R3000 XR (230V) (EURO, IEC-309P)	192186-B32
Compaq UPS R3000 XR (208V) (Int'l - detachable cord)	192186-B31
Rack-Mountable UPS R6000 (208V) (NA)	347207-001
Rack-Mountable UPS R6000 (230V) (Int'l)	347207-B31
Rack-Mountable UPS R6000 (200V) (Japan)	347207-291
R6000 Extended Runtime Module	347224-B21
Note: Available for the UPS R6000 Models only.	
Extended Runtime Battery, R3000 XR	192188-B21
Note: Available for the UPS R3000 XR Models only.	
Six-Port Card	192185-B21
Note: Available for the UPS R3000 XR Models only.	
SNMP/Serial Port Card	192189-B21
Note: Available for the UPS R3000 XR Models only.	
SNMP-EN Adapter	347225-B21
High to Low Voltage Transformer (250VA)	388643-B21
Multi-Server UPS Card	123508-B21
Scalable UPS Card	123509-B21

Options

Compaq Rack Builder for configuration assistance at

www.compaq.com/products/storageworks/rack_accessories/rackbuilderpro2.html

Rack Conversion Kit

Compaq ProLiant ML530 Tower to Rack Conversion Kit	128289-B21
--	------------

Compaq Rack 9000 Series (Opal)

Compaq Rack 9142 (42U) – Pallet	120663-B21
Compaq Rack 9142 (42U) – Shock Pallet	120663-B22
Compaq Rack 9142 (42U) – Crated	120663-B23
Compaq Rack 9136 (36U) – Pallet	120664-B21
Compaq Rack 9136 (36U) – Shock Pallet	120664-B22
Compaq Rack 9136 (36U) – Crated	120664-B23
Compaq Rack 9122 (22U) – Pallet	120665-B21
Compaq Rack 9122 (22U) – Shock Pallet	120665-B22
Compaq Rack 9122 (22U) – Crated	120665-B23

Note: -B21 part numbers are for all Geos
 -B22 part numbers are used to ship configured racks (by custom systems, VARs and Channels)
 -B23 part numbers are used for air shipments

Rack Options for Compaq Rack 9000 Series

Baying/Coupling Kit	120669-B21
Rack 9142 Side Panel	120670-B21
Rack 9136 Side Panel	120671-B21
Ballast Option Kit	120672-B21
Stabilizer Option Kit	120673-B21
Rack Rail Adapter Kit (25" depth)	120675-B21
Fan (110 VAC) Roof Mount	120677-B21
Fan (220 VAC) Roof Mount	120678-B21
9142 Extension Kit	120679-B21
Grounding Rack Option Kit	120682-B21
Cable Management D-Rings Kit	168233-B21
Rack Blanking Panels (1U)	189453-B21
Rack Blanking Panels (2U)	189453-B22
Rack Blanking Panels (3U)	189453-B23
Rack Blanking Panels (4U)	189453-B24
Rack Blanking Panels (5U)	189453-B25

Rack Options for Compaq Rack 7000 Series

Rack Sidewall Kit (42U only)	165652-001
Coupling Kit (42U only)	165664-001
Stabilizing Feet (42U only)	189907-001
Stabilizing Feet (42U only) (Japan)	189907-291
High Air Flow Rack Door Insert for 7122	157847-B21
High Air Flow Rack Door Insert for 7142	327281-B21
High Air Flow Rack Door Insert for 7142 (6 pack)	327281-B22
Compaq Rack Extension Kit for 7142	154392-B21

Rack Options for Compaq Rack 7000 and 9000 Series

Sliding Shelf Kit	332564-B21
Monitor Utility Shelf	303606-B21
Rack Blanking Panel Kit for Rack 7000 series (Beach Gray) (U.S.)	169940-001
Rack Blanking Panel Kit for Rack 9000 series (Opal) (U.S.)	169940-B21
Compaq Networking Cable Management Kit	292407-B21
Compaq Networking Recessed Rail Management Kit	292406-B21

Options

Rack Options for Compaq Rack 7000 and 9000 Series (continued)

Compaq Power Distribution Unit-24A Low Voltage PDU	295363-001
Compaq Power Distribution Unit-24A Low Voltage PDU (Japan)	295363-291
Compaq Power Distribution Unit-16A High Voltage PDU (cord attached) (US)	295363-002
Compaq Power Distribution Unit-16A High Voltage, 16A (detachable cord) (NA, Int'l)	295363-B21
Compaq Power Distribution Unit-24A High Voltage PDUh-NDC (non-detached cord) (Int'l)	295363-B32
Compaq Power Distribution Unit-24A High Voltage (NA only)	295363-003
Compaq Dual Input Power Distribution Unit-24A High Voltage (NA only)	191186-001
Server Console Switch 1 x 2 port (100-230 VAC)	120206-001
Server Console Switch 1 x 2 port (100-230 VAC) (Int'l)	120206-B31
Server Console Switch 1 x 2 port (100-230 VAC) (Japan)	120206-291
Server Console Switch 1 x 4 port (100-230 VAC)	400336-001
Server Console Switch 1 x 4 port (100-230 VAC) (Int'l)	400336-B31
Server Console Switch 1 x 4 port (100-230 VAC) (Japan)	400336-291
Server Console Switch 1 x 8 port (100-230 VAC)	400337-001
Server Console Switch 1 x 8 port (100-230 VAC) (Int'l)	400337-B31
Server Console Switch 1 x 8 port (100-230 VAC) (Japan)	400337-291
Server Console Switch 2 x 8 port (100-230 VAC)	400338-001
Server Console Switch 2 x 8 port (100-230 VAC) (Int'l)	400338-B31
Server Console Switch 2 x 8 port (100-230 VAC) (Japan)	400338-291
Server Console Switch 2 x 8 port (48VDC)	400542-B21
CPU to Server Console Cable, 12'	110936-B21
CPU to Server Console Cable, 20'	110936-B22
CPU to Server Console Cable, 40'	110936-B23
CPU to Server Console Cable, 3'	110936-B24
CPU to Server Console Cable, 6'	110936-B25
CPU to Server Console Cable (Plenum Rated) 20'	149363-B21
CPU to Server Console Cable (Plenum Rated) 40'	149364-B21
Switch Box Connector Kit (115V)	144007-001
Switch Box Connector Kit (230V)	144007-002
Switch Box Connector Kit (high voltage) (Int'l)	144007-B33
Rack Internal Trackball Keyboard (Opal) (UK)	185152-036
Rack Internal Trackball Keyboard (Opal) (Germany)	185152-046
Rack Internal Trackball Keyboard (Opal) (France)	185152-056
Rack Internal Trackball Keyboard (Opal) (Italy)	185152-066
Rack Internal Trackball Keyboard (Opal) (Spain)	185152-076
Rack Internal Trackball Keyboard (Opal) (Denmark)	185152-086
Rack Internal Trackball Keyboard (Opal) (Norway)	185152-096
Rack Internal Trackball Keyboard (Opal) (Sweden/Finland)	185152-106
Rack Internal Trackball Keyboard (Opal) (Switzerland)	185152-116
Rack Internal Trackball Keyboard (Opal) (Portugal)	185152-136
Rack Internal Trackball Keyboard (Opal) (Belgium)	185152-186
Rack Internal Trackball Keyboard (Opal) (Japan)	185152-296
Rack Internal Trackball Keyboard (Opal) (U.S.)	185152-406
Rack Internal Trackball Keyboard (Opal) (Int'l)	185152-B36
1U Rack Keyboard Drawer	338056-B21
Keyboard/Monitor/Mouse extension cables	169989-001

Options

Rack Options for Third Party Cabinet Racks

Depth Adjustable Fixed Rails	332558-B21
------------------------------	------------

Service Upgrades (CarePacs)

Hardware Services 4-Hour On-site Service

4-Hour On-site Service, 9-Hour x 5-Day Coverage, 3 Years (2-5-2 Part Number for US)	FM-MI4HR-36
4-Hour On-site Service, 9-Hour x 5-Day Coverage, 3 Years (2-5-2 Part Number for Canada)	FP-MI4HR-36
4-Hour On-site Service, 9-Hour x 5-Day Coverage, 3 Years (6-3 Part Number for US)	401783-002
4-Hour On-site Service, 9-Hour x 5-Day Coverage, 3 Years (6-3 Part Number for Canada)	401783-122
4-Hour On-site Service, 9-Hour x 5-Day Coverage, 3 Years (6-3 Part Number for EMEA)	324418-002
4-Hour On-site Service, 24-Hour x 7-Day Coverage, 3 Years (2-5-2 Part Number for US)	FM-MI724-36
4-Hour On-site Service, 24-Hour x 7-Day Coverage, 3 Years (2-5-2 Part Number for Canada)	FP-MI724-36
4-Hour On-site Service, 24-Hour x 7-Day Coverage, 3 Years (6-3 Part Number for US)	401782-002
4-Hour On-site Service, 24-Hour x 7-Day Coverage, 3 Years (6-3 Part Number for Canada)	401782-122
4-Hour On-site Service, 24-Hour x 7-Day Coverage, 3 Years (6-3 Part Number for EMEA)	376911-022

Installation & Start-up Services

Hardware Installation (2-5-2 Part Number for US)	FM-MIINS-IN
Hardware Installation (2-5-2 Part Number for Canada)	FP-MIINS-IN
Hardware Installation (6-3 Part Number for US)	401793-002
Hardware Installation (6-3 Part Number for Canada)	401793-122
Hardware Installation (6-3 Part Number for EMEA)	Quote
O/S & Hardware Installation (2-5-2 Part Number for US) (Hardware installation plus two days O/S start-up activity (install, configure, network access & orientation.))	FP-CXHSI-03
O/S & Hardware Installation (6-3 Part Number for US) (Hardware installation plus two days O/S start-up activity (install, configure, network access & orientation.))	160557-002
O/S & Hardware Installation (6-3 Part Number for EMEA) (Hardware installation plus two days O/S start-up activity (install, configure, network access & orientation.))	Quote

Business Solutions Priority Service Plan – Priority Level

5 x 9 4-hour H/W, 5 x 9 2-hour O/S (NT & NetWare), Three Years (2-5-2 Part Number for US)	FP-CX103-36
5 x 9 4-hour H/W, 5 x 9 2-hour O/S (NT & NetWare), Three Years (2-5-2 Part Number for Canada)	FP-CZ103-36
5 x 9 4-hour H/W, 5 x 9 2-hour O/S (NT & NetWare), Three Years (6-3 Part Number for US)	155325-002
5 x 9 4-hour H/W, 5 x 9 2-hour O/S (NT & NetWare), Three Years (6-3 Part Number for Canada)	155325-122
5 x 9 4-hour H/W, 5 x 9 2-hour O/S (NT & NetWare), Three Years (6-3 Part Number for EMEA)	179836-022

Business Solutions Priority Service Plan – Priority 24 Level

7 x 24 4-hour H/W, 7 x 24 2-hour O/S (NT & NetWare), Three years (2-5-2 Part Number for US)	FP-CX203-36
7 x 24 4-hour H/W, 7 x 24 2-hour O/S (NT & NetWare), Three years (6-3 Part Number for US)	155329-002
7 x 24 4-hour H/W, 7 x 24 2-hour O/S (NT & NetWare), Three years (6-3 Part Number for EMEA)	179841-022

Business Solutions Priority Service Plan – Priority Plus Level

7 x 24 4-hour H/W, 7 x 24 1-hour O/S (NT & NetWare), SPS account review, Three Years (2-5-2 Part Number for US)	FP-CX303-36
7 x 24 4-hour H/W, 7 x 24 1-hour O/S (NT & NetWare), SPS account review, Three Years (2-5-2 Part Number for Canada)	FP-CZ303-36
7 x 24 4-hour H/W, 7 x 24 1-hour O/S (NT & NetWare), SPS account review, Three Years (6-3 Part Number for US)	155333-002
7 x 24 4-hour H/W, 7 x 24 1-hour O/S (NT & NetWare), SPS account review, Three Years (6-3 Part Number for Canada)	155333-122

Options

Service Upgrades (CarePacs) *(continued)*

Business Solutions Priority Service Plan – Priority Premier Level

7 x 24 2-hour H/W, 7 x 24 1-hour O/S (NT & NetWare), SPS Account Review, Proactive Management Review, named S/w rep, Three Years (2-5-2 Part Number for US)	FP-CX503-36
7 x 24 2-hour H/W, 7 x 24 1-hour O/S (NT & NetWare), SPS Account Review, Proactive Management Review, named S/w rep, Three Years (2-5-2 Part Number for Canada)	FP-CZ503-36
7 x 24 2-hour H/W, 7 x 24 1-hour O/S (NT & NetWare), SPS Account Review, Proactive Management Review, named S/w rep, Three Years (6-3 Part Number for US)	155337-002
7 x 24 2-hour H/W, 7 x 24 1-hour O/S (NT & NetWare), SPS Account Review, Proactive Management Review, named S/w rep, Three Years (6-3 Part Number for Canada)	155337-122

Business Solutions Priority Service Plan – Priority Executive Premier Level

7 x 24 2-hour H/W, 7 x 24 30-minute O/S (NT & NetWare), SPS Account Review, Proactive Management Review, named S/w rep, Three Years (2-5-2 Part Number for US)	FP-CX703-36
7 x 24 2-hour H/W, 7 x 24 30-minute O/S (NT & NetWare), SPS Account Review, Proactive Management Review, named S/w rep, Three Years (2-5-2 Part Number for Canada)	FP-CZ703-36
7 x 24 2-hour H/W, 7 x 24 30-minute O/S (NT & NetWare), SPS Account Review, Proactive Management Review, named S/w rep, Three Years (6-3 Part Number for US)	155341-002
7 x 24 2-hour H/W, 7 x 24 30-minute O/S (NT & NetWare), SPS Account Review, Proactive Management Review, named S/w rep, Three Years (6-3 Part Number for Canada)	155341-122

Note: For more information, customer/resellers can contact www.Compaq.com/services.

Memory

Compaq ProLiant ML530 All Models

STANDARD MEMORY

128-MB PC133-MHz Registered ECC SDRAM DIMM installed (1 x 128-MB SDRAM DIMM)

Standard	Slot							
	1	2	3	4	5	6	7	8
128 MB	128 MB	Empty	Empty	Empty	Empty	Empty	Empty	Empty

STANDARD MEMORY PLUS

OPTIONAL MEMORY

Up to 3712 MB memory is available with the optional installation of PC133-MHz Registered ECC SDRAM DIMM memory kits.

Standard	Slot							
	1	2	3	4	5	6	7	8
3712 MB	128 MB	512 MB	512 MB	512 MB	512 MB	512 MB	512 MB	512 MB

STANDARD MEMORY REPLACED

WITH OPTIONAL MEMORY

Up to 4096 MB of memory is available with the removal of the standard 128-MB of memory and the optional installation of PC133-MHz Registered ECC SDRAM DIMM memory kits.

Standard	Slot							
	1	2	3	4	5	6	7	8
4096 MB	512 MB	512 MB	512 MB	512 MB	512 MB	512 MB	512 MB	512 MB

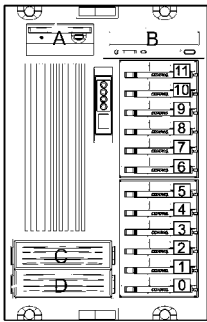
Caution: Exceeding 4 GB total memory will result in a substantial reduction in performance.

Note: This chart does not represent all possible memory configurations.

Following are memory options available from Compaq:

- 512-MB PC133-MHz Registered ECC SDRAM DIMM Memory Option Kit 128279-B21
- 256-MB PC133-MHz Registered ECC SDRAM DIMM Memory Option Kit 128278-B21
- 128-MB PC133-MHz Registered ECC SDRAM DIMM Memory Option Kit 128277-B21
- 64-MB PC133-MHz Registered ECC SDRAM DIMM Memory Option Kit 128276-B21

Storage



1-inch Drive Locations

0 - 11 - Two 6 x 1 inch Wide Ultra2/ Ultra3 SCSI Hot Pluggable Hard Drive Bays

A - 3.5 inch Diskette Drive

B - Low-profile High Speed IDE CD-ROM

C, D - Two available half height bays for tape backup storage

TOWER DRIVE SUPPORT

	Quantity Supported	Position Supported	Controller
Removable Media			
1.44-MB Diskette Drive	Up to 1	A	Integrated
IDE CD-ROM Drive	Up to 1	B	Integrated IDE
DVD-ROM Drive Option Kit	Up to 1	B	Integrated IDE

Hard Drives

Wide Ultra2 Hot Pluggable Drives

1-inch	Up to 6	0-5	Integrated Dual Channel Wide Ultra2 SCSI Adapter
18.2-GB	Up to 12 (with optional Drive Cage Option Kit)	0-11	Smart Array 431 Controller Smart Array 3200 Controller Smart Array 4200 Controller Smart Array 5300 Controller 64-bit/66MHz Dual Channel Wide Ultra3 SCSI Adapter 64-bit/66MHz Single Channel Wide Ultra3 SCSI Adapter
9.1-GB			

Wide Ultra3 Hot Pluggable Drives

1-inch	Up to 6	0-5	Integrated Dual Channel Wide Ultra2 SCSI Adapter
36.4 4-GB 10,000 rpm	Up to 12 (with optional Drive Cage Option Kit)	0-11	Smart Array 431 Controller Smart Array 3200 Controller Smart Array 4200 Controller Smart Array 5300 Controller 64-bit/66MHz Dual Channel Wide Ultra3 SCSI Adapter 64-bit/66MHz Single Channel Wide Ultra3 SCSI Adapter
18.2-GB 10,000 rpm			
9.1-GB 10,000 rpm			
18.2-GB 15,000 rpm			
9.1-GB 15,000 rpm			

External Storage

StorageWorks Enclosure 4200/4300 Family (supports Ultra2/Ultra3 drives only)	Up to 12 storage systems supported	External	Smart Array 431 Controller Smart Array 3200 Controller Smart Array 4200 Controller Smart Array 5300 Controller 64-bit/66MHz Dual Channel Wide Ultra3 SCSI Adapter 64-bit/66MHz Single Channel Wide Ultra3 SCSI Adapter
ProLiant Storage System Models UE ProLiant Storage System Models U2 (supports Wide-Ultra SCSI-3 drives only)	Up to 12 storage systems supported	External	Smart Array 431 Controller Smart Array 3200 Controller Smart Array 4200 Controller Smart Array 5300 Controller 64-bit/66MHz Dual Channel Wide Ultra3 SCSI Adapter 64-bit/66MHz Single Channel Wide Ultra3 SCSI Adapter
SCSI Storage Expander II	Up to 3	External	Smart Array 3200 Controller Smart Array 4200 Controller Smart Array 5300 Controller 64-bit/66MHz Dual Channel Wide Ultra3 SCSI Adapter 64-bit/66MHz Single Channel Wide Ultra3 SCSI Adapter
StorageWorks Raid Array 4100 Kit	Up to 12	External	Fibre Channel Host Adapter

Maximum Storage Capacity (Ultra2/Ultra3 Drive Cage & External Storage)

Internal	436.8 GB (12 x 36.4) (Standard Drive cage & Optional Drive cage installed)
External	5.241 TB (12 ProLiant Storage Systems, each with 12 x 36.4-GB hard drives)
Total	5.678 TB

Maximum Storage Capacity – (Ultra2/Ultra3 Drive Cage & StorageWorks Enclosure)

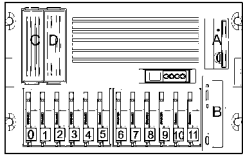
Internal	436.8 GB (12 x 36.4) (Standard Drive cage & Optional Drive cage installed)
External	6.115 TB hot plug SCSI storage (12 x (14 x 36.4GB 1" Wide Ultra2/Ultra3))
Total	6.553 TB

Storage

TOWER DRIVE SUPPORT *(continued)*

	Quantity Supported	Position Supported	Controller
Tape Drives			
Note: For an up-to-date listing of the latest O/S Support details for each of the Tape Drives listed below, please see the following: http://www.compaq.com/products/quickspecs/North_America/10233_na.html (North America) http://www.compaq.com/products/quickspecs/Division/10233_div.html (Division/World Wide)			
Internal 20/40-GB DAT DDS-4 Internal 12/24-GB DAT Internal 4/8-GB DAT	Up to 2	C,D	Integrated Dual Channel Wide Ultra2 Adapter 64-Bit/66MHz Dual Channel Wide Ultra3 SCSI Adapter 64-Bit/66MHz Single Channel Wide Ultra3 SCSI Adapter
20/40-GB DDS-4 8 Cassette Autoloader	Up to 2	C,D	Integrated Dual Channel Wide Ultra2 Adapter 64-Bit/66MHz Dual Channel Wide Ultra3 SCSI Adapter 64-Bit/66MHz Single Channel Wide Ultra3 SCSI Adapter
Internal 40/80-GB DLT Internal 35/70-GB DLT Internal 20/40-GB DLT	1	C + D (two bays)	Integrated Dual Channel Wide Ultra2 Adapter 64-Bit/66MHz Dual Channel Wide Ultra3 SCSI Adapter 64-Bit/66MHz Single Channel Wide Ultra3 SCSI Adapter
Internal AIT 50-GB Tape Drive Internal AIT 35-GB Tape Drive External AIT 50-GB Tape Drive External AIT 35-GB Tape Drive	1	C + D External	Integrated Dual Channel Wide Ultra2 Adapter 64-Bit/66MHz Dual Channel Wide Ultra3 SCSI Adapter 64-Bit/66MHz Single Channel Wide Ultra3 SCSI Adapter
DLT Tape Array II Model 35/70	1 to 4	External	Integrated Dual Channel Wide Ultra2 Adapter
Internal 40/80-GB DLT Internal 35/70-GB DLT Internal 20/40-GB DLT	Up to 3	External	Integrated Dual Channel Wide Ultra2 Adapter 64-Bit/66MHz Dual Channel Wide Ultra3 SCSI Adapter 64-Bit/66MHz Single Channel Wide Ultra3 SCSI Adapter
TA1000 AIT Tape Array	Up to 1	External	Compaq Wide-Ultra SCSI-3 Adapter 64-Bit Dual Channel Wide Ultra2 SCSI Adapter 64-Bit/66MHz Dual Channel Wide Ultra3 SCSI Adapter
SSL2020 AIT Mini-Library	Up to 5	External	64-Bit Dual Channel Wide Ultra2 SCSI Adapter 64-Bit/66MHz Dual Channel Wide Ultra3 SCSI Adapter
TL895 (96 slot) DLT Library (2 - 7 Drives)	2 drives per SCSI channel	External	Compaq Wide-Ultra SCSI Adapter 64-Bit Dual Channel Wide Ultra2 SCSI Adapter
TL891 DLT Library (1 - 2 Drive) TL881 DLT Library (1 - 2 Drive)	2 drives per SCSI channel	External	StorageWorks Dual Channel Ultra-Wide Differential Library HBA

Storage



1-inch Drive Locations

0 - 11 - Two 6 x1 inch Wide Ultra2/ Ultra3 SCSI Hot Pluggable Hard Drive Bays

A - 3.5 inch Diskette Drive

B - Low-profile High Speed IDE CD-ROM

C, D - Two available half height bays for tape backup storage

RACK DRIVE SUPPORT

	Quantity Supported	Position Supported	Controller
Removable Media			
1.44--MB Diskette Drive	Up to 1	A	Integrated
IDE CD-ROM Drive	Up to 1	B	Integrated IDE
DVD-ROM Drive Option Kit	Up to 1	B	Integrated IDE

Hard Drives

Wide Ultra2 Hot Pluggable Drives

1-inch	Quantity Supported	Position Supported	Controller
18.2-GB	Up to 6	0-5	Integrated Dual Channel Wide Ultra2 SCSI Adapter
9.1-GB	Up to 12 (with optional Drive Cage Option Kit)	0-11	Smart Array 431 Controller Smart Array 3200 Controller Smart Array 4200 Controller Smart Array 5300 Controller 64-bit/66MHz Dual Channel Wide Ultra3 SCSI Adapter 64-bit/66MHz Single Channel Wide Ultra3 SCSI Adapter

Wide Ultra3 SCSI – Hot Plug

1-inch	Quantity Supported	Position Supported	Controller
36.4-GB 10,000 rpm	Up to 6	0-5	Integrated Dual Channel Wide Ultra2 SCSI Adapter
18.2-GB 10,000 rpm	Up to 12 (with optional Drive Cage Option Kit)	0-11	Smart Array 431 Controller Smart Array 3200 Controller Smart Array 4200 Controller Smart Array 5300 Controller 64-bit/66MHz Dual Channel Wide Ultra3 SCSI Adapter 64-bit/66MHz Single Channel Wide Ultra3 SCSI Adapter
9.1-GB 15,000 rpm			

External Storage

StorageWorks Enclosure 4200/4300 Family (supports Ultra2/Ultra3 drives only)	Up to 12 storage systems supported	External	Smart Array 431 Controller Smart Array 3200 Controller Smart Array 4200 Controller Smart Array 5300 Controller 64-bit/66MHz Dual Channel Wide Ultra3 SCSI Adapter 64-bit/66MHz Single Channel Wide Ultra3 SCSI Adapter
ProLiant Storage System Models UE ProLiant Storage System Models U2 (supports Wide-Ultra drives only)	Up to 12 storage systems supported	External	Smart Array 3200 Controller Smart Array 4200 Controller Smart Array 5300 Controller 64-bit/66MHz Dual Channel Wide Ultra3 SCSI Adapter 64-bit/66MHz Single Channel Wide Ultra3 SCSI Adapter
SCSI Storage Expander II	Up to 3	External	Smart Array 3200 Controller Smart Array 4200 Controller Smart Array 5300 Controller 64-bit/66MHz Dual Channel Wide Ultra3 SCSI Adapter 64-bit/66MHz Single Channel Wide Ultra3 SCSI Adapter
StorageWorks Raid Array 4100 Kit	Up to 12	External	Fibre Channel Host Adapter

Maximum Storage Capacity (Ultra2/Ultra3 Drive Cage & External Storage)

Internal	436.8 GB (12 x 36.4) (Standard Drive cage & Optional Drive cage installed)
External	5.241 TB (12 ProLiant Storage Systems, each with 12 x 36.4-GB hard drives)
Total	5.678 TB

Maximum Storage Capacity – (Ultra2/Ultra3 Drive Cage & StorageWorks Enclosure)

Internal	436.8 GB (12 x 36.4) (Standard Drive cage & Optional Drive cage installed)
External	6.115 TB hot plug SCSI storage (12 x (14 x 36.4GB 1" Wide Ultra2/Ultra3))
Total	6.553 TB

Storage

RACK DRIVE SUPPORT *(continued)*

	Quantity Supported	Position Supported	Controller
Tape Drives			
<p>Note: For an up-to-date listing of the latest O/S Support details for each of the Tape Drives listed below, please see the following: http://www.compaq.com/products/quickspecs/North_America/10233_na.html (North America) http://www.compaq.com/products/quickspecs/Division/10233_div.html (Division/World Wide)</p>			
Internal 20/40-GB DAT DDS-4 Internal 12/24-GB DAT Internal 4/8-GB DAT	Up to 2	C,D	Integrated Dual Channel Wide Ultra2 Adapter 64-Bit/66MHz Dual Channel Wide Ultra3 SCSI Adapter 64-Bit/66MHz Single Channel Wide Ultra3 SCSI Adapter
20/40-GB DDS-4 8 Cassette Autoloader	Up to 2	C,D	Integrated Dual Channel Wide Ultra2 Adapter 64-Bit/66MHz Dual Channel Wide Ultra3 SCSI Adapter 64-Bit/66MHz Single Channel Wide Ultra3 SCSI Adapter
Internal 40/80-GB DLT Internal 35/70-GB DLT Internal 20/40-GB DLT	1	C + D (two bays)	Integrated Dual Channel Wide Ultra2 Adapter 64-Bit/66MHz Dual Channel Wide Ultra3 SCSI Adapter 64-Bit/66MHz Single Channel Wide Ultra3 SCSI Adapter
Internal AIT 50-GB Tape Drive Internal AIT 35-GB Tape Drive External AIT 50-GB Tape Drive External AIT 35-GB Tape Drive	1	C + D External	Integrated Dual Channel Wide Ultra2 Adapter 64-Bit/66MHz Dual Channel Wide Ultra3 SCSI Adapter 64-Bit/66MHz Single Channel Wide Ultra3 SCSI Adapter
DLT Tape Array II Model 35/70	1 to 4	External	Integrated Dual Channel Wide Ultra2 SCSI Adapter
External 40/80-GB DLT External 35/70-GB DLT External 20/40-GB DLT	Up to 3	External	Integrated Dual Channel Wide Ultra2 SCSI Adapter 64-Bit/66MHz Dual Channel Wide Ultra3 SCSI Adapter 64-Bit/66MHz Single Channel Wide Ultra3 SCSI Adapter
TA1000 AIT Tape Array	Up to 1	External	Compaq Wide-Ultra SCSI-3 Adapter 64-Bit Dual Channel Wide Ultra2 SCSI Adapter 64-Bit/66MHz Dual Channel Wide Ultra3 SCSI Adapter
SSL2020 AIT Mini-Library	Up to 5	External	64-Bit Dual Channel Wide Ultra2 SCSI Adapter 64-Bit/66MHz Dual Channel Wide Ultra3 SCSI Adapter
TL895 (96 slot) DLT Library (2 - 7 Drives)	2 drives per SCSI channel	External	Compaq Wide-Ultra SCSI Adapter 64-Bit Dual Channel Wide Ultra2 SCSI Adapter
TL891 DLT Library (1 - 2 Drive) TL881 DLT Library (1 - 2 Drive)	2 drives per SCSI channel	External	StorageWorks Dual Channel Ultra-Wide Differential Library HBA

Technical Specifications

System Unit - Tower

Dimensions (HxWxD)	20 x 12.8 x 26.5 in / 50.8 x 32.5 x 67.3 cm	
Weight	100 lbs/45.36 kg	
No hard drives installed, one power supply		
Input Requirements (per power supply)		
Rated Input Voltage	100 to 127 VAC / 200 to 240 VAC	
Rated Input Frequency	47 to 63 Hz	
Input Power	690W @ 110 VAC /	
Rated Input Current	7.6A	
BTU Rating	2400 BTU/hr	
SCSI Connectors	Two internal HD68 connectors (supporting Wide Ultra2) One external VHDCI connector (supporting Wide Ultra2) One SCSI knockout	
Power Supply Output Power (per power supply)		
Rated Steady-State Power	450W	
Maximum Peak Power		
Temperature Range		
Operating	50° to 95°F/10° to 35°C	
Non-operating	-20° to 140°F/-29° to 60°C	
Shipping	-22° to 122°F/-30° to 50°C	
Relative Humidity (non-condensing)		
Operating	20% to 80%	
Non-operating	5% to 90%	
Maximum Wet Bulb Temperature	101.7°F/38.7°C	
Acoustic Noise	L_{wAd} (BELS)	L_{pAm} (dBA)
Idle (Fixed Disk Drives Spinning)	7.1	54
Operating (Random Seeks to Fixed Disks)	7.2	55

System Unit - Rack

Dimensions (HxWxD)	17.5 x 12.1 x 25.4 in / 44.4 x 30.7 x 64.5 cm	
Weight	87.4 lbs / 39.6 kg	
No hard drives installed, one power supply		
Input Requirements (per power supply)		
Rated Input Voltage	100 to 127 VAC / 200 to 240 VAC	
Rated Input Frequency	47 to 63 Hz	
Input Power	690W @ 110 VAC / 670W @ 220 VAC	
Rated Input Current	7.6A	
BTU Rating	2400 BTU/hr	
SCSI Connectors	Two internal HD68 connectors (supporting Wide Ultra2) One external VHDCI connector (supporting Wide Ultra2) One SCSI knockout	
Power Supply Output Power (per power supply)		
Rated Steady-State Power	450W	
Maximum Peak Power		
Temperature Range		
Operating	50° to 95°F/10° to 35°C	
Non-operating	-20° to 140°F/-29° to 60°C	
Shipping	-22° to 122°F/-30° to 50°C	

Technical Specifications

System Unit – Rack (continued)

Relative Humidity (non-condensing)		
Operating	20% to 80%	
Non-operating	5% to 90%	
Maximum Wet Bulb Temperature	101.7°F/38.7°C	
Acoustic Noise	L_{wAd} (BELS)	L_{pAm} (dBA)
Idle (Fixed Disk Drives Spinning)	7.1	54
Operating (Random Seeks to Fixed Disks)	7.2	55

1.44-MB Diskette Drive

Diskette Size	3.5 in
LED Indicators (front panel)	Green
Read/Write Capacity per Diskette (high/low density)	1.44 MB/720 KB
Drive Supported	One
Drive Height	One-third
Drive Rotation	300 rpm
Transfer Rate Synchronous Maximum (high/low)	500/250 Kb/s
Bytes/Sector	512
Sectors/Track (high/low)	18/9
Tracks/Side (high/low)	80/80
Access Times	
Track-to-Track (high/low)	3/6 ms
Average (high/low)	169/94 ms
Settling Time	15 ms
Latency Average	100 ms
Cylinders (high/low)	80/80
Read/Write Heads	Two

QUICK SPECS

Compaq ProLiant ML530

Technical Specifications

Hot Plug
Wide Ultra2 SCSI
Hard Drives

18.2 GB	Capacity	18209.3 MB	Seek Time (typical reads, including settling)	
	Height	1 in/25.4 mm	Single Track	0.8 ms
	Width	3.5 in/88.9 mm	Average	7.0 ms
	Interface	Wide Ultra2 SCSI	Full-Stroke	15 ms
	Transfer Rate		Rotational Speed	7200 rpm
	Synchronous (Maximum)	80 MB/s	Physical Configuration	
			Bytes/Sector	512
			Logical Blocks	35,565,080
			Operating Temperature 50° to 95°F/10° to 35°C	
9.1 GB	Capacity	9100.0 MB	Seek Time (typical reads, including settling)	
	Height	1 in/25.4 mm	Single Track	0.8 ms
	Width	3.5 in/88.9 mm	Average	7.0 ms
	Interface	Wide Ultra2 SCSI	Full-Stroke	15 ms
	Transfer Rate		Rotational Speed	7200 rpm
	Synchronous (Maximum)	80 MB/s	Physical Configuration	
			Bytes/Sector	512
			Logical Blocks	17,773,524
			Operating Temperature 50° to 95°F/10° to 35°C	

QUICK SPECS

Compaq ProLiant ML530

Technical Specifications

Hot Plug
Wide Ultra3 SCSI
Hard Drives

36.4 GB 10K	Capacity	36400 MB	Seek Time (typical reads, including settling)	
	Height	1 in/25.4 mm	Single Track	0.8 ms
	Width	3.5 in/88.9 mm	Average	5.2 ms
	Interface	Wide Ultra3 SCSI	Full-Stroke	12 ms
	Transfer Rate		Rotational Speed	10,000 rpm
	Synchronous (Maximum)	160 MB/s	Physical Configuration	
			Bytes/Sector	512
			Logical Blocks	71,132,000
			Operating Temperature	50° to 95°F/10° to 35°C
18.2 GB 10K	Capacity	18209.3 MB	Seek Time (typical reads, including settling)	
	Height	1 in/25.4 mm	Single Track	0.8 ms
	Width	3.5 in/88.9 mm	Average	5.2 ms
	Interface	Wide Ultra3 SCSI	Full-Stroke	12 ms
	Transfer Rate		Rotational Speed	10,000 rpm
	Synchronous (Maximum)	80 MB/s	Physical Configuration	
			Bytes/Sector	512
			Logical Blocks	35,566,080
			Operating Temperature	50° to 95°F/10° to 35°C
9.1 GB 10K	Capacity	9100.0 MB	Seek Time (typical reads, including settling)	
	Height	1 in/25.4 mm	Single Track	0.8 ms
	Width	3.5 in/88.9 mm	Average	5.2 ms
	Interface	Wide Ultra3 SCSI	Full-Stroke	12 ms
	Transfer Rate		Rotational Speed	10,000 rpm
	Synchronous (Maximum)	80 MB/s	Physical Configuration	
			Bytes/Sector	512
			Logical Blocks	17,773,524
			Operating Temperature	50° to 95°F/10° to 35°C
18.2 GB 15K	Capacity	18209.3 MB	Seek Time (typical reads, including settling)	
	Height	1 in/25.4 mm	Single Track	0.8 ms
	Width	3.5 in/88.9 mm	Average	5.0 ms
	Interface	Wide Ultra3 SCSI	Full-Stroke	12 ms
	Transfer Rate		Rotational Speed	15,000 rpm
	Synchronous (Maximum)	160 MB/s	Physical Configuration	
			Bytes/Sector	512
			Logical Blocks	35,565,080
			Operating Temperature	50° to 95°F/10° to 35°C
9.1 GB 15K	Capacity	9100.0 MB	Seek Time (typical reads, including settling)	
	Height	1 in/25.4 mm	Single Track	0.8 ms
	Width	3.5 in/88.9 mm	Average	5.0 ms
	Interface	Wide Ultra3 SCSI	Full-Stroke	12 ms
	Transfer Rate		Rotational Speed	15,000 rpm
	Synchronous (Maximum)	160 MB/s	Physical Configuration	
			Bytes/Sector	512
			Logical Blocks	17,773,524
			Operating Temperature	50° to 95°F/10° to 35°C

Technical Specifications

40X Max IDE CD-ROM Drive

Disk	
Applicable Disk	CD-ROM, CD-XA, CD-DA (Mode 1, Mode 2, Form 1 and 2) Photo CD (Single and Multi-session) Mixed Mode (Audio and Data combined) CD-R
Capacity	540 MB (Mode 1, 12 cm) 650 MB (Mode 2, 12 cm)
Block Size	
Mode 1	2,048 bytes
Mode 2	2,340 bytes, 2,336 bytes
CD-DA	2,352 bytes
CD-XA	2,328 bytes
Interface	IDE (ATAPI)
Access Times (typical)	
Random	100 ms
Full-Stroke	150 ms
Audio Output Level	
Line-Out	0.7 VRMS at 47 kOhms
Data Transfer Rate	
Sustained	150 KB/s (1X audio)
Burst	16.67 Mbytes/sec
Cache Buffer	128 KB
Start-up Time (typical)	< 7 seconds
Stop Time	< 4 seconds
Laser Parameters	
Type	Semiconductor Laser GaAlAs
Wave Length	780 ± 25 nm
Operating Conditions	
Temperature	41° to 113°F/5° to 45°C
Humidity	10% to 80%
Dimensions	
(HxWxD, maximum)	1.7 x 5.85 x 8.11 in/4.29 x 150 x 208 cm
Weight	2.09 lbs/0.95 kg

Technical Specifications

32X Max IDE CD-ROM Drive

Disk	
Applicable Disk	CD-ROM (Mode 1 and 2) CD-DA, CD-XA (Mode 2, Form 1 and 2) Photo CD (Single and Multi-session) Mixed Mode (Audio and Data combined)
Capacity	550 MB (Mode 1, 12 cm) 640 MB (Mode 2, 12 cm)
Diameter	4.7 in, 3.15 in/12 cm, 8 cm
Rotational Speed	4200 rpm maximum
Center Hole	0.6 in/15 mm diameter
Thickness	1.2 mm
Track Pitch	1.6 μ m
Block Size	
Mode 1	2,048 bytes
Mode 2	2,340, 2,336, 1,024 bytes
CD-DA	2,352 bytes
CD-XA	2,328 bytes
Interface	IDE (ATAPI)
Access Times (typical)	
Random	100 ms
Full-Stroke	150 ms
Audio Output Level	
Line-Out	0.7 VRMS at 47 kOhms
Headphone	0.6 VRMS at 32 Ohms (maximum volume)
Data Transfer Rate	
Sustained	150 KB/s (1X audio)
Burst	2100 to 4800 KB/s
Cache Buffer	128 KB
Start-up Time (typical)	< 7 seconds
Stop Time	< 4 seconds
Laser Parameters	
Type	Semiconductor Laser GaAlAs
Wave Length	780 \pm 25 nm
Divergence Angle	53.5 $^{\circ}$ \pm 1.5 $^{\circ}$
Output Power	0.14mW
Operating Conditions	
Temperature	41 $^{\circ}$ to 113 $^{\circ}$ F/5 $^{\circ}$ to 45 $^{\circ}$ C
Humidity	10% to 80%
Dimensions	
(HxWxD, maximum)	1.88 x 5.85 x 8.11 in/4.29 x 15 x 20.8 cm
Weight	2.09 lbs/0.95 kg

Technical Specifications

Integrated 64-bit Dual Channel Wide-Ultra2 SCSI Adapter

Drives Supported	Up to 28 SCSI devices (14 per channel)
Data Transfer Method	64-bit PCI bus-master
SCSI Channel Transfer Rate	80 MB/s per channel
Maximum Transfer Rate per PCI Bus (peak)	133 MB/s per channel
SCSI Protocols	Wide Ultra2 SCSI Wide-Ultra SCSI-3 Fast-Wide SCSI-2 Fast SCSI-2
Electrical Protocol	Low Voltage Differential (LVD)
SCSI Termination	Active Termination
External SCSI Connectors	Two 80-Pin VHDCI connectors
Internal SCSI Connectors	Two 68-Pin Wide Ultra SCSI-3 connectors

Video Controller

Controller Chip	ATI RAGE IIC PCI
Video DRAM	4 MB Video SGRAM
Data Transfer Method	32-bit PCI
Support Resolution	Supported Color Depths: 640 x 480 16.7M, 64K, 256, 16 800 x 600 16.7M, 64K, 256, 16 1024 x 768 16.7M, 64K, 256, 16 1152 x 864 16.7M, 64K, 256, 16 1280 x 1024 16.7M, 64K, 256, 16 1600 x 1200 64K, 256, 16
Connector	VGA

Technical Specifications

Smart Array 5300 Controller

Data Compatible with all Smart Array Controllers	Yes
Instant Upgrades to other Smart Array Controllers	Yes
Consistent Software Manageability Tools	Yes
PCI Bus	64-bit, 66MHz
PCI Peak Data Transfer Rate	533 MB/s
SCSI Protocols Supported	Ultra3, Ultra2, Wide-Ultra
SCSI Peak Data Transfer Rate	640 MB/s total, 160 MB/s per channel
Channels	2, 4
SCSI Ports (external/internal)	2 channel model: 2/2 4 channel model: 4/2
Drives Supported (maximum)	56
Note: Drives Supported (maximum) is based on use of Compaq StorageWorks Enclosure 4200/4300 family. (14 hard disk drive enclosure)	
Cache	128, 64 or 32 MB battery backed read-write
RAID Support	0, 1, 0+1, 5, Advanced Data Guarding
Note: RAID ADG will be available as of Q4 2000. For customers who have purchased the SA-5304/128 a quick firmware upgrades to enable the technology will be available from www.compaq.com/smartarray . The 128-MB cache module with RAID ADG will also be available as of Q4 2000.	
Note: RAID Support: Advanced Data Guarding (RAID ADG) is available with 128-MB versions of the SA-5300 only.	
Logical Drives (maximum)	32
Online Configuration	Yes
Online Capacity Expansion	Yes
Logical Drive Capacity Extension	Yes
Online Stripe Size Migration	Yes
Online RAID Level Migration	Yes
Online Spare Support	Yes
Automatic Data Recovery	Yes
Drive Roaming	Yes
Redundant Controllers	No

Technical Specifications

Smart Array 4200 Controller

Data Compatible with all Smart Array Controllers	Yes
Instant Upgrades to other Smart Array Controllers	Yes
Consistent Software Manageability Tools	Yes
PCI Bus	64-bit, 33 MHz
PCI Peak Data Transfer Rate	266 MB/s
SCSI Protocols Supported	Ultra2, Wide-Ultra
SCSI Peak Data Transfer Rate	320 MB/s total, 80 MB/s per channel
Channels	4
SCSI Ports (external/internal)	4/2
Drives Supported (maximum)	56
Note: Drives Supported (maximum) is based on use of Compaq StorageWorks Enclosure 4200/4300 family (14 hard disk drive enclosure).	
Cache	64-MB battery backed read-write
RAID Support	0, 1, 0+1, 5
Logical Drives (maximum)	32
Online Configuration	Yes
Online Capacity Expansion	Yes
Logical Drive Capacity Extension	Yes
Online Stripe Size Migration	Yes
Online RAID Level Migration	Yes
Online Spare Support	Yes
Automatic Data Recovery	Yes
Drive Roaming	Yes
Redundant Controllers	No

Technical Specifications

Smart Array 3200 Controller

Data Compatible with all Smart Array Controllers	Yes
Instant Upgrades to other Smart Array Controllers	Yes
Consistent Software Manageability Tools	Yes
PCI Bus	32-bit, 33 MHz
PCI Peak Data Transfer Rate	133 MB/s
SCSI Protocols Supported	Ultra2, Wide-Ultra
SCSI Peak Data Transfer Rate	160 MB/s total, 80 MB/s per channel
Channels	2
SCSI Ports (external/internal)	2/2
Drives Supported (maximum)	28
Note: Drives Supported (maximum) is based on use of Compaq StorageWorks Enclosure 4200/4300 family (14 hard disk drive enclosure).	
Cache	64-MB battery backed read-write
RAID Support	0, 1, 0+1, 4, 5
Logical Drives (maximum)	32
Online Configuration	Yes
Online Capacity Expansion	Yes
Logical Drive Capacity Extension	Yes
Online Stripe Size Migration	Yes
Online RAID Level Migration	Yes
Online Spare Support	Yes
Automatic Data Recovery	Yes
Drive Roaming	Yes
Redundant Controllers	No

Technical Specifications

Smart Array 431 Controller

Data Compatible with all Smart Array Controllers	Yes
Instant Upgrades to other Smart Array Controllers	Yes
Consistent Software Manageability Tools	Yes
PCI Bus	64-bit, 66MHz
PCI Peak Data Transfer Rate	533 MB/s
SCSI Protocols Supported	Ultra3, Ultra2, Wide-Ultra
SCSI Peak Data Transfer Rate	160 MB/s
Channels	1
SCSI Ports (external/internal)	1/1
Drives Supported (maximum)	14
Note: Drives Supported (maximum) is based on use of Compaq StorageWorks Enclosure 4200/4300 family (14 hard disk drive enclosure).	
Cache	16-MB cache engine
RAID Support	0, 1, 0+1 5
Logical Drives (maximum)	32
Online Configuration	Yes
Online Capacity Expansion	Yes
Logical Drive Capacity Extension	Yes
Online Stripe Size Migration	Yes
Online RAID Level Migration	Yes
Online Spare Support	Yes
Automatic Data Recovery	Yes
Drive Roaming	Yes
Redundant Controllers	No

64-bit/66-MHz Single Channel Wide Ultra3 SCSI Adapter

Drives Supported	Up to 14 SCSI devices
Storage Capacity	254.8 GB
Data Transfer Method	64-bit / 66-MHz PCI bus-master
Maximum SCSI Channel Transfer Rate	160 MB/s per channel
Maximum Transfer Rate per PCI Bus (peak)	532 MB/s per channel
SCSI Protocols	Wide Ultra3 SCSI Wide Ultra2 SCSI Wide-Ultra SCSI-3 Fast-Wide SCSI-2 Fast SCSI-2
Electrical Protocol	Low Voltage Differential (LVD)
SCSI Termination	Active Termination
External SCSI Connectors	One 68-Pin Wide Ultra SCSI-3 connector
Internal SCSI Connectors	Two 68-Pin Wide Ultra SCSI-3 connectors (one LVD and one SE) One 50-Pin Narrow Ultra connector

Technical Specifications

64-bit/66-MHz Dual Channel Wide Ultra3 SCSI Adapter

Drives Supported	Up to 28 SCSI devices (14 per channel)
Storage Capacity	509.6 GB
Data Transfer Method	64-bit / 66-MHz PCI bus-master
Maximum SCSI Channel Transfer Rate	160 MB/s per channel
Maximum Transfer Rate per PCI Bus (peak)	532 MB/s per channel
SCSI Protocols	Wide Ultra3 SCSI Wide Ultra2 SCSI Wide-Ultra SCSI-3 Fast-Wide SCSI-2 Fast SCSI-2
Electrical Protocol	Low Voltage Differential (LVD)
SCSI Termination	Active Termination
External SCSI Connectors	Two 68-Pin VHDCI connectors
Internal SCSI Connectors	Two 68-Pin Wide Ultra SCSI-3 connectors One 50-Pin Narrow Ultra connector

Compaq Rack 9142 (42U)(optional)

Dimensions	Total Cabinet	Shipping	Color
Height	78.7 in/2,000 mm	83.38 in/2,168.65 mm	
Depth	35.8 in/909 mm	48 in/121.92 mm	Opal
Width	23.7 in/603 mm	32 in/812.8 mm	
Weight	253 lbs/114.84 kg	325 lbs/147.52 kg	

Compaq Rack 9136 (36U)(optional)

Dimensions	Total Cabinet	Shipping	Color
Height	68.6 in/1,742 mm	75.25 in/1,911.35 mm	
Depth	35.8 in/909 mm	48 in/121.92 mm	Opal
Width	23.7 in/603 mm	32 in/812.8 mm	
Weight	165 lbs/75 kg	234 lbs/106 kg	

Compaq Rack 9122 (22U)(optional)

Dimensions	Total Cabinet	Shipping	Color
Height	43 in/1,092 mm	52.25 in/1,327.15 mm	
Depth	35.8 in/909 mm	48 in/121.92 mm	Opal
Width	24 in/610 mm	32 in/812.8 mm	
Weight	176 lbs/79.89 kg	225 lbs/102.13 kg	