

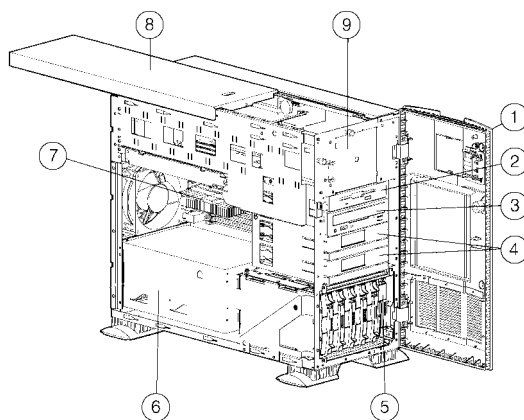
### Overview

#### WHAT'S NEW

- Intel Pentium® III 933-MHz Processor (dual capability)

#### AT A GLANCE

- The ultimate workgroup server designed for demanding workgroups and remote/branch sites that need a powerful and highly available platform that is easy to use
- Dual Peer PCI Architecture
- ServerWorks LE 3.0 Chipset with 133-MHz Front Side Bus
- Intel Pentium III 933 MHz, 866 MHz, 800 MHz, 733 MHz, 667 MHz, or 600 MHz processors
- 256-KB second level ECC cache standard (full speed)
- 128-MB PC133-MHz Registered ECC SDRAM memory expandable to 4 GB
- Six expansion PCI slots: Four 64-bit and two 32-bit
- Compaq NC3163 Fast Ethernet NIC (embedded) 10/100 WOL (Wake On LAN)
- Integrated Dual Channel Wide Ultra2 SCSI Adapter
- Wide Ultra2/Ultra3 Drive Cage standard
- Support for up to six 1-inch Wide Ultra2/Ultra3 SCSI hot plug drives
- 218.4-GB maximum internal storage (internal hot plug drive cage only)
- Internal mass storage capacity up to 291.2 GB (6 x 36.4 GB (HP) + 2 x 36.4 GB (NHP))
- Single thumb screw system board removal for fast and easy servicing
- Compaq Insight Manager, SmartStart, Integrated Remote Console (IRC) and Automatic Server Recovery-2 (ASR-2)
- Protected by Compaq Services, including a three-year, Next Business Day on-site limited Global warranty and extended Pre-Failure Warranty which covers processors, memory and disk drives — Certain restrictions and exclusions apply. Consult the Compaq Customer Support Center at 1-800-345-1518 for details.

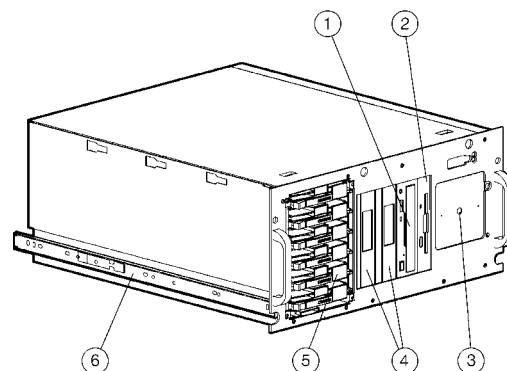


#### Tower Model

1. Front Bezel
2. 1.44-MB Diskette Drive
3. High speed IDE CD-ROM Drive
4. Two available Removable Media Bays
5. Wide Ultra2/Ultra3 Hot Plug Drive Cage (6 x 1")
6. Power Supply
7. Processor
8. Small access panel
9. Optional Integrated Management Display (IMD) slot

#### Rack Model

1. High Speed IDE CD-ROM Drive
2. 1.44-MB Diskette Drive
3. Optional Integrated Management Display (IMD) slot
4. Two available Removable Media Bays
5. Wide Ultra2/Ultra3 Hot Plug Drive Cage (6 x 1")
6. Side Rails



# QUICK SPECS

Compaq *ProLiant* ML370

## Standard Features

### MODELS

Compaq *ProLiant*™ ML370

Available in multiple configurations

#### Processor – One of the following:

Intel Pentium III processor 933 MHz  
Intel Pentium III processor 866 MHz  
Intel Pentium III processor 800 MHz  
Intel Pentium III processor 733 MHz  
Intel Pentium III processor 667 MHz  
Intel Pentium III processor 600 MHz

#### Cache Memory

256-KB second level ECC cache (full speed)

#### Upgradability

Upgradable to dual processing

#### Memory

Standard	128 MB (PC133-MHz Registered ECC SDRAM DIMM memory)
Maximum	4 GB

#### Network Controller

Compaq NC3163 Fast Ethernet NIC (embedded) 10/100 WOL (Wake On LAN)

#### Expansion Slots

I/O (Total)	6
64-bit PCI	4
32-bit PCI	2

#### Storage Controller

Integrated Dual Channel Wide Ultra2 SCSI Adapter (upgradable with optional Integrated Smart Array Controller)

#### Storage

Diskette Drive	1.44 MB
CD-ROM	High Speed IDE CD-ROM Drive
Hard Drives	None
Maximum Internal Storage	218.4 GB (6 x 36.4 GB 1" internal hot plug drive cage only)

#### Interfaces

Parallel	1
Serial	2
Pointing Device (Mouse)	1
Graphics	1
Hot Plug Keyboard	1
External SCSI (for tape only)	1
Network RJ-45	1

#### Graphics

Integrated ATI Rage IIC Video Controller with 4MB Video Memory

#### Form Factor

Tower or Rack (5U)

#### Compaq Software

Compaq <i>Insight Manager</i> ™	The comprehensive system management tool that monitors the operation of Compaq servers, workstations and clients
Compaq <i>SmartStart</i> ™	The server configuration and software integration tool from Compaq
Array Configuration Utility (ACU) with Smart Array Controllers	Same easy to use yet powerful graphical user Interface (GUI) configuration utility and easy to navigate wizards for all Smart Array Controllers

## Standard Features

### Manageability

---

- Compaq Insight Manager
- Compaq Remote Insight Board (PCI) (optional)
- Compaq Remote Lights-Out Edition (optional)
- Automatic Server Recovery-2 (ASR-2)
- Integrated Remote Console (IRC)
  - Hardware Remote Console
  - Full Remote Server Reboot Capability
  - Reset and Failure Sequence Replay
  - Host Hardware Independent
  - Operating System Independent
  - Communication is out-of-band
- Integrated Management Display (IMD) (Optional)
- Integrated Management Log
- Server Health Logging
- Revision History Table
- Automatic Revision Tracking
- Drive Parameter Tracking (with Smart Array controller)
- Dynamic Sector Repairing (with Smart Array controller)
- Recovery Server Option (optional)
- Off-Line Backup Processor capability
- Pre-Failure Warranty (covers processors, hard drives and memory)

### Security

---

- Power-on password
- Keyboard password
- Diskette drive control
- Diskette boot control
- QuickLock, Network Server Mode
- Parallel and serial interface control
- Administrator's password
- Disk configuration lock

### Power Supply

---

- 325 Watt-CE Mark Compliant
- Optional Hot Plug Redundant Power Supply Capability

### Required Cabling

---

For required cabling information, refer to the Compaq web site at <http://www.compaq.com/products/servers/proliantML370>.  
**Note:** This web site available in English only.

---

## *Standard Features*

### OS Support

---

Microsoft Windows NT Server  
Microsoft Windows 2000  
Novell NetWare  
Novell NetWare Small Business Suite  
SCO OpenServer  
SCO UnixWare  
IBM OS/2 Warp Family  
LINUX (RedHat, S.U.S.E., TurboLinux Server, Caldera eServer)  
Sun Solaris Intel Platform Edition  
Banyan VINES

**Note:** For a more complete and up-to-date listing of supported OS's and versions, please visit our OS Support Matrix at: <ftp://ftp.compaq.com/pub/products/servers/os-support-matrix-310.pdf>.

**Note:** For an up-to-date listing of the latest drivers available for the Compaq ProLiant ML370, please see: <http://www.compaq.com/support/files/server/us/index.html>

### Service and Support

---

Compaq Services provides a three-year, limited warranty, including Pre-Failure Warranty (coverage of hard drives, memory and processors) fully supported by a worldwide network of resellers and service providers and lifetime toll-free 7 x 24 hardware technical phone support. In addition, available service offerings include:

A full range of CarePaq packaged hardware and software services:

- Installation and start up
- Extended coverage hours and enhanced response times
- System management and performance services
- Availability and recovery services

**Note:** Certain restrictions and exclusions apply. Consult the Compaq Customer Support Center at 1-800-345-1518 for details.

# QUICK SPECS

Compaq ProLiant ML370

## Standard Features

### Models

**ML370T01 P933-256K**  
161058-xx1

<b>Processor(s)</b>	Intel Pentium III processor 933 MHz	<b>Network Controller</b>	NC3163 Fast Ethernet NIC (embedded) 10/100 WOL
<b>Cache Memory</b>	256-KB second-level ECC cache	<b>Storage Controller</b>	Integrated Dual Channel Wide Ultra2 SCSI Adapter
<b>Memory</b>	PC133-MHz Registered ECC SDRAM DIMM	<b>Internal Storage</b>	218.4 GB maximum
Standard	128 MB	<b>Optical Drive</b>	High Speed IDE CD-ROM Drive
Maximum	4 GB	<b>Form Factor</b>	Tower (5U)

**ML370T01 P866-256K**  
161060-xx1

<b>Processor(s)</b>	Intel Pentium III processor 866 MHz	<b>Network Controller</b>	NC3163 Fast Ethernet NIC (embedded) 10/100 WOL
<b>Cache Memory</b>	256-KB second-level ECC cache	<b>Storage Controller</b>	Integrated Dual Channel Wide Ultra2 SCSI Adapter
<b>Memory</b>	PC133-MHz Registered ECC SDRAM DIMM	<b>Internal Storage</b>	218.4 GB maximum
Standard	128 MB	<b>Optical Drive</b>	High Speed IDE CD-ROM Drive
Maximum	4 GB	<b>Form Factor</b>	Tower (5U)

**ML370T01 P800-256K**  
160550-xx1

<b>Processor(s)</b>	Intel Pentium III processor 800 MHz	<b>Network Controller</b>	NC3163 Fast Ethernet NIC (embedded) 10/100 WOL
<b>Cache Memory</b>	256-KB second-level ECC cache	<b>Storage Controller</b>	Integrated Dual Channel Wide Ultra2 SCSI Adapter
<b>Memory</b>	PC133-MHz Registered ECC SDRAM DIMM	<b>Internal Storage</b>	218.4 GB maximum
Standard	128 MB	<b>Optical Drive</b>	High Speed IDE CD-ROM Drive
Maximum	4 GB	<b>Form Factor</b>	Tower (5U)

**ML370T01 P733-256K**  
157831-xx1

<b>Processor(s)</b>	Intel Pentium III processor 733 MHz	<b>Network Controller</b>	NC3163 Fast Ethernet NIC (embedded) 10/100 WOL
<b>Cache Memory</b>	256-KB second-level ECC cache	<b>Storage Controller</b>	Integrated Dual Channel Wide Ultra2 SCSI Adapter
<b>Memory</b>	PC133-MHz Registered ECC SDRAM DIMM	<b>Internal Storage</b>	218.4 GB maximum
Standard	128 MB	<b>Optical Drive</b>	High Speed IDE CD-ROM Drive
Maximum	4 GB	<b>Form Factor</b>	Tower (5U)

**ML370T01 P667-256K**  
102118-xx1

<b>Processor(s)</b>	Intel Pentium III processor 667 MHz	<b>Network Controller</b>	NC3163 Fast Ethernet NIC (embedded) 10/100 WOL
<b>Cache Memory</b>	256-KB second-level ECC cache	<b>Storage Controller</b>	Integrated Dual Channel Wide Ultra2 SCSI Adapter
<b>Memory</b>	PC133-MHz Registered ECC SDRAM DIMM	<b>Internal Storage</b>	218.4 GB maximum
Standard	128 MB	<b>Optical Drive</b>	High Speed IDE CD-ROM Drive
Maximum	4 GB	<b>Form Factor</b>	Tower (5U)

# QUICK SPECS

Compaq *ProLiant* ML370

## Standard Features

**ML370T01 P600-256K**  
195293-xx1

<b>Processor(s)</b>	Intel Pentium III processor 600 MHz	<b>Network Controller</b>	NC3163 Fast Ethernet NIC (embedded) 10/100 WOL
<b>Cache Memory</b>	256-KB second-level ECC cache	<b>Storage Controller</b>	Integrated Dual Channel Wide Ultra2 SCSI Adapter
<b>Memory</b>	PC133-MHz Registered ECC SDRAM DIMM	<b>Internal Storage</b>	218.4 GB maximum
Standard	128 MB	<b>Optical Drive</b>	High Speed IDE CD-ROM Drive
Maximum	4 GB	<b>Form Factor</b>	Tower (5U)

**ML370R01 P933-256K**  
161059-xx1

<b>Processor(s)</b>	Intel Pentium III processor 933 MHz	<b>Network Controller</b>	NC3163 Fast Ethernet NIC (embedded) 10/100 WOL
<b>Cache Memory</b>	256-KB second-level ECC cache	<b>Storage Controller</b>	Integrated Dual Channel Wide Ultra2 SCSI Adapter
<b>Memory</b>	PC133-MHz Registered ECC SDRAM DIMM	<b>Internal Storage</b>	218.4 GB maximum
Standard	128 MB	<b>Optical Drive</b>	High Speed IDE CD-ROM Drive
Maximum	4 GB	<b>Form Factor</b>	Rack (5U)

**ML370R01 P866-256K**  
161061-xx1

<b>Processor(s)</b>	Intel Pentium III processor 866 MHz	<b>Network Controller</b>	NC3163 Fast Ethernet NIC (embedded) 10/100 WOL
<b>Cache Memory</b>	256-KB second-level ECC cache	<b>Storage Controller</b>	Integrated Dual Channel Wide Ultra2 SCSI Adapter
<b>Memory</b>	PC133-MHz Registered ECC SDRAM DIMM	<b>Internal Storage</b>	218.4 GB maximum
Standard	128 MB	<b>Optical Drive</b>	High Speed IDE CD-ROM Drive
Maximum	4 GB	<b>Form Factor</b>	Rack (5U)

**ML370R01 P800-256K**  
160551-xx1

<b>Processor(s)</b>	Intel Pentium III processor 800 MHz	<b>Network Controller</b>	NC3163 Fast Ethernet NIC (embedded) 10/100 WOL
<b>Cache Memory</b>	256-KB second-level ECC cache	<b>Storage Controller</b>	Integrated Dual Channel Wide Ultra2 SCSI Adapter
<b>Memory</b>	PC133-MHz Registered ECC SDRAM DIMM	<b>Internal Storage</b>	218.4 GB maximum
Standard	128 MB	<b>Optical Drive</b>	High Speed IDE CD-ROM Drive
Maximum	4 GB	<b>Form Factor</b>	Rack (5U)

**ML370R01 P733-256K**  
157830-xx1

<b>Processor(s)</b>	Intel Pentium III processor 733 MHz	<b>Network Controller</b>	NC3163 Fast Ethernet NIC (embedded) 10/100 WOL
<b>Cache Memory</b>	256-KB second-level ECC cache	<b>Storage Controller</b>	Integrated Dual Channel Wide Ultra2 SCSI Adapter
<b>Memory</b>	PC133-MHz Registered ECC SDRAM DIMM	<b>Internal Storage</b>	218.4 GB maximum
Standard	128 MB	<b>Optical Drive</b>	High Speed IDE CD-ROM Drive
Maximum	4 GB	<b>Form Factor</b>	Rack (5U)

**ML370R01 P667-256K**  
102119-xx1

<b>Processor(s)</b>	Intel Pentium III processor 667 MHz	<b>Network Controller</b>	NC3163 Fast Ethernet NIC (embedded) 10/100 WOL
<b>Cache Memory</b>	256-KB second-level ECC cache	<b>Storage Controller</b>	Integrated Dual Channel Wide Ultra2 SCSI Adapter
<b>Memory</b>	PC133-MHz Registered ECC SDRAM DIMM	<b>Internal Storage</b>	218.4 GB maximum
Standard	128 MB	<b>Optical Drive</b>	High Speed IDE CD-ROM Drive
Maximum	4 GB	<b>Form Factor</b>	Rack (5U)

# QUICK SPECS

Compaq ProLiant ML370

## Standard Features

ML370R01 P600-256K  
195294-xx1

<b>Processor(s)</b>	Intel Pentium III processor 600 MHz	<b>Network Controller</b>	NC3163 Fast Ethernet NIC (embedded) 10/100 WOL
<b>Cache Memory</b>	256-KB second-level ECC cache	<b>Storage Controller</b>	Integrated Dual Channel Wide Ultra2 SCSI Adapter
<b>Memory</b>	PC133-MHz Registered ECC SDRAM DIMM	<b>Internal Storage</b>	218.4 GB maximum
Standard	128 MB	<b>Optical Drive</b>	High Speed IDE CD-ROM Drive
Maximum	4 GB	<b>Form Factor</b>	Rack (5U)

### Country Code Key

XX=00	U.S.
XX=01	Australia
XX=42	EURO
XX=03	UK
XX=04	German (not available for Rack Models – please use EURO part number)
XX=05	France (not available for Rack Models - please use EURO part number)
XX=29	Japan
XX=37	APD
XX=AA	PRC

## Options

### Processor

P933 Pentium III 256K Processor Option Kit	161086-B21
P866 Pentium III 256K Processor Option Kit	161085-B21
P800 Pentium III 256K Processor Option Kit	161084-B21
P733 Pentium III 256K Processor Option Kit	161083-B21
P667 Pentium III 256K Processor Option Kit	159756-B21
P600 Pentium III 256K Processor Option Kit	128292-B21

### Memory

1024-MB PC133-MHz Registered ECC SDRAM DIMM Memory Option Kit	128280-B21
512-MB PC133-MHz Registered ECC SDRAM DIMM Memory Option Kit	128279-B21
256-MB PC133-MHz Registered ECC SDRAM DIMM Memory Option Kit	128278-B21
128-MB PC133-MHz Registered ECC SDRAM DIMM Memory Option Kit	128277-B21
64-MB PC133-MHz Registered ECC SDRAM DIMM Memory Option Kit	128276-B21

### Optical Drives

DVD-ROM Drive Option Kit (Opal) (DVD-ROM Drive Option Kit is only supported by Windows NT or Windows 2000 OS.)	388481-B21
DVD-ROM Drive Option Kit (Opal) (Japan) (DVD-ROM Drive Option Kit is only supported by Windows NT or Windows 2000 OS.)	388481-291

### Hard Drives

#### Wide Ultra3 SCSI – Universal Hot Plug

36.4-GB Wide Ultra3 SCSI 10,000 rpm Drive (1")	176496-B22
18.2-GB Wide Ultra3 SCSI 10,000 rpm Drive (1")	142673-B22
9.1-GB Wide Ultra3 SCSI 10,000 rpm Drive (1")	142671-B22
18.2-GB Wide Ultra3 SCSI 15,000 rpm Drive (1")	188122-B22
9.1-GB Wide Ultra3 SCSI 15,000 rpm Drive (1")	188120-B22

#### Wide Ultra3 SCSI – Non-Hot Plug

36.4-GB Wide Ultra3 SCSI 10,000 rpm Drive (1.6")	176497-B21
36.4-GB Wide Ultra3 SCSI 10,000 rpm Drive (1.6")	142676-B21
18.2-GB Wide Ultra3 SCSI 10,000 rpm Drive (1")	142674-B21
9.1-GB Wide Ultra3 SCSI 10,000 rpm Drive (1")	142672-B21

**Note:** Wide Ultra3 Drives require an optional Wide Ultra3 Controller to support Ultra3 transfer rates.

#### Wide Ultra2 SCSI – Universal Hot Plug

18.2-GB Wide Ultra2 SCSI Drive (1")	388144-B22
9.1-GB Wide Ultra2 SCSI Drive (1")	123065-B22

#### Wide Ultra2 SCSI – Non-Hot Plug

18.2-GB Wide Ultra2 SCSI Drive (1")	388143-B21
9.1-GB Wide Ultra2 SCSI Drive (1")	349526-B21



## Options

### Storage Controllers

Integrated Smart Array Controller Module	128293-B21
Smart Array 431 Controller	127695-B21
Smart Array 431 Controller (Japan)	127695-291
Smart Array 3200 Controller	295643-B21
Smart Array 3200 Controller (Japan)	295643-291
Smart Array 4200 Controller	295636-B21
Smart Array 4200 Controller (Japan)	295636-291
Smart Array 5302/32 Controller	166207-B21
Smart Array 5302/32 Controller (Japan)	166207-291
Smart Array 5302/64 Controller	124992-B21
Smart Array 5302/64 Controller (Japan)	124992-291
Smart Array 5304/128 Controller	158939-B21
Smart Array 5304/128 Controller (Japan)	158939-291
Ultra3 Channel Expansion Module for Smart Array 5300 Controller	153507-B21
64-bit/66-MHz Dual Channel Wide Ultra3 SCSI Adapter	129803-B21
64-bit/66-MHz Dual Channel Wide Ultra3 SCSI Adapter (Japan)	129803-291
64-bit/66-MHz Single Channel Wide Ultra3 SCSI Adapter	154457-B21
64-bit/66-MHz Single Channel Wide Ultra3 SCSI Adapter (Japan)	154457-291

### Communications

Compaq NC3123 Fast Ethernet NIC PCI 10/100 WOL	174830-B21
Compaq NC3122 Fast Ethernet NIC PCI Dual 10/100	317450-B21
Compaq NC3134 Fast Ethernet NIC 64 PCI Dual Port 10/100	138603-B21
Compaq NC3135 Fast Ethernet Module Dual 10/100 Upgrade Module for NC3134	138604-B21
Compaq NC6132 Gigabit Module 1000 SX Upgrade Module for NC3134 and NC3131	338456-B23
Compaq NC6133 Gigabit Module 1000LX Upgrade Module for NC3134 and NC3131	338456-B24
Compaq NC3133 Fast Ethernet Module 100FX Upgrade Module for NC3134 and NC3131	338456-B25
Compaq NC6134 Gigabit NIC 64 PCI 1000SX	174818-B21
Compaq NC4621 Token Ring NIC PCI 4/16 WOL	379956-B21
IBM 16/4 Token Ring PCI Special	133749-B21
<b>Note:</b> Any NC31XX or NC61XX NIC can be used for redundancy with the embedded NC3163 Network Controller.	
ServerNet PCI Adapter	309833-B22
4M Cable	309834-B23
30M Cable	309834-B22
ServerNet II PCI Adapter Card Kit	174736-B21
ServerNet II 12-Port Copper Serial Switch Kit (US)	174739-001
ServerNet II 12-Port Copper Serial Switch Kit (Int'l)	174739-B31
ServerNet II 5-meter Copper Serial Cable Kit	174737-B21
ServerNet II 10-meter Copper Serial Cable Kit	174738-B22

### Internal Tape Drives

<b>Note:</b> In order to install certain tape drives internally, you may need to remove the rails that come standard on the drives and then re-insert the screws in the mounting holes.	
Internal 20/40-GB DAT DDS-4 Tape Drive	157769-B21
Internal 12/24-GB DAT Drive (Opal)	295513-B22
Internal 12/24-GB DAT Drive (Opal) (Japan)	295513-292
Internal 4/8-GB DAT Drive (Opal)	295353-B22
Internal 4/8-GB DAT Drive (Opal) (Japan)	295353-292
Internal 4/8-GB SLR Drive (Opal)	295480-B22
Internal 4/8-GB SLR Drive (Opal) (Japan)	295480-292
Internal 20/40-GB DLT Drive (Opal)	340743-B22
Internal 20/40-GB DLT Drive (Opal) (Japan)	340743-292
Internal AIT 50-GB Tape Drive	157766-B21

## Options

### Internal Tape Drives *(continued)*

Internal AIT 35-GB Tape Drive	388504-B21
4-GB DDS-2 DAT Cassette	137611-001
DDS-4 Media (10 pack)	152842-001
12-GB DDS-3 DAT Cassette (10 pack)	295515-B21
DAT Cleaning Cassette	242781-001
AIT 50-GB Data Cassette (5 pack)	152841-001
AIT 35-GB Data Cassette (5 pack)	402371-B21
AIT Cleaning Cassette	402374-B21
DLT IV Drive Cartridge (single)	295194-B21
DLT IV Drive Cartridge (7 pack)	295192-B21
DLT Cleaning Cartridge	199704-001

**Note:** Please see the Compaq 20/40-GB DAT Drive, Compaq 12/24-GB DAT Drive, Compaq 4/8-GB DAT Drive, Compaq 4/8-GB SLR Drive, Compaq 20/40-GB DLT Drive, Compaq AIT 50-GB Tape Drive, or the Compaq AIT 35-GB Tape Drive, for an up-to-date listing of the latest O/S Support details, please see the following:

[http://www.compaq.com/products/quickspecs/North\\_America/10233\\_na.html](http://www.compaq.com/products/quickspecs/North_America/10233_na.html) (North America)

[http://www.compaq.com/products/quickspecs/Division/10233\\_div.html](http://www.compaq.com/products/quickspecs/Division/10233_div.html) (Division/World Wide)

### Redundant Options

Compaq Hot Plug Redundant Power Supply Option Kit (U.S.)	480083-001
Compaq Hot Plug Redundant Power Supply Option Kit (Australia)	480083-011
Compaq Hot Plug Redundant Power Supply Option Kit (EURO)	480083-021
Compaq Hot Plug Redundant Power Supply Option Kit (UK)	480083-031
Compaq Hot Plug Redundant Power Supply Option Kit (Japan)	480083-291
Compaq Hot Plug Redundant Power Supply (48 VDC)	158395-B21

### Management Options

Integrated Management Display Option (Opal)	127409-B21
Compaq Remote Insight Lights-Out Edition (NA, LA)	157866-001
Compaq Remote Insight Lights-Out Edition (EURO)	157866-021
Compaq Remote Insight Lights-Out Edition (APD, Japan)	157866-371
Compaq Remote Insight (PCI) LAN + NA Modem	294013-002
Compaq Remote Insight (PCI) LAN + NA Modem (PAN EURO)	294013-B32
Compaq Remote Insight Board (PCI) LAN/Serial without modem	294013-B24
Compaq Remote Insight Board (PCI) LAN/Serial without modem (Japan)	294013-294
Compaq Remote Insight Board (PCI) LAN only	294013-B25
Compaq Remote Insight Board (PCI) LAN only (Japan)	294013-295

### Monitors

TFT8020 18" Flat Panel Monitor (Opal)	326100-xxx
TFT8020 18" Flat Panel Monitor (Carbon)	159244-xxx
TFT8020 18" Flat Panel Monitor (Opal, bulked packed two monitor heads per box)	173610-xxx
TFT5010 15" Flat Panel Monitor (Opal)	104741-xxx
TFT5010 15" Flat Panel Monitor (Carbon)	154486-xxx
TFT5005 15" Flat Panel Monitor (Opal)	201431-xxx
TFT5005 15" Flat Panel Monitor (Carbon)	201430-xxx
TFT5000R Flat Panel Monitor	120207-xxx
P1100 Color Monitor	325606-xxx
P900 Color Monitor	386326-xxx
P700 Color Monitor	380207-xxx
V1100 Color Monitor	386472-xxx
V710 Color Monitor	187895-xxx

## Options

### Monitors (continued)

V500 Color Monitor	325900-xxx
S510 Color Monitor	168636-xxx
S910 Color Monitor	138485-xxx
S710 Color Monitor	152991-xxx

**Note:** Monitors larger than 17" may be too heavy for use in rack systems.

### CRT Country Code Key

#### NORTH AMERICA (NA) / LATIN AMERICA (LA)

Dash #	Description		
		-201	EH model for Brazil (older Brazil models used -B29)
-001	NA Kit with US Power Cord	-202	EH model for Brazil Carbon (older Brazil models used -B29)
-002	Carbon model with US Power Cord	-C91	EH model for Mercosur countries
-003	Touch Screen model with US Power Cord	-C92	EH model for Mercosur countries Carbon
-004	NAFTA model with US Power Cord (Made in Mexico)	-B29	EH / ALADI model for Latin America
-005	NA Kit with Powered Speakers		
-006	GSA model with US Power Cord		
-007	NH MPR model with US power cord (Made in Mexico)		
-B24	TCO model without power cord (Digital Classic)		

**Note:** All NA/LA models above are NH

#### EUROPE, MIDDLE EAST AND AFRICA (EMEA)

Dash #	Description		
-021	NH / TCO with Eurocord (DCE Hub)	-031	NH / TCO with UK Cord (UK Hub)
-022	NH / MPR with Eurocord (DCE Hub) (India)	-032	NH / MPR with UK Cord (UK Hub)
-023	NH Carbon model with Eurocord (DCE Hub)	-033	NH / TCO carbon with UK Cord
-024	NH Touch Screen model with Eurocord (DCE Hub)	-035	NH Kit with Speakers and UK Cord
-025	NH Kit with Speakers and Eurocord	-B21	SH / MPR without power cord (S. Africa Hub)
-A91	NH / TCO without power cord (Dubai hub)	-B23	SH / TCO without power cord (S. Africa Hub)
-A92	NH / MPR without power cord (Dubai hub)	-B27	SH / TCO Carbon without power cord (S. Africa Hub)

#### PACIFIC / AUSTRALIA (APD)

Dash #	Description		
-B22	NH / MPR without power cord	-012	SH Carbon model with AUZ/NZ power cord
-B24	NH / TCO without power cord	-AD1	NH model for Korea
-B25	EH Carbon model without power cord	-AD2	NH Carbon model for Korea
-B26	NH Touch Screen model without power cord	-B28	EH model without power cord
-011	SH model with AUZ/NZ power cord	-B35	EH model with speakers no power cord (Singapore)
-015	SH model with speakers AUZ/NZ power cord		

## Options

### CRT Country Code Key *(continued)*

#### GREATER CHINA (GCD)

Dash #	Description		
-AA1	NH / China Kit with CCIB label (Local Sales)	-KA1	NH / China Kit with CCIB label (External Sales/Bundles in HK)
-AA2	NH/ Carbon China Kit with CCIB label (Local Sales)	-AB1	NH / Taiwan kit, mfg. in Taiwan

#### JAPAN (CKK)

Dash #	Description		
-291	NH / Japan Kit with 3-2 pin adapter	-292	NH Carbon Japan Kit with 3-2 pin adapter

### TFT Country Code Key

#### EUROPE, MIDDLE EAST & AFRICA (EMEA)

Dash #	Description		
-AA1	NH / China Kit with CCIB label (Local Sales)	-KA1	NH / China Kit with CCIB label (External Sales/Bundles in HK)
-AA2	NH/ Carbon China Kit with CCIB label (Local Sales)	-AB1	NH / Taiwan kit, mfg. in Taiwan

#### NORTH AMERICA

Dash #	Description		
-001	NA	-B24	All NA/LA models

#### APD

Dash #	Description
-011	Australia/NZ

#### JAPAN (CKK)

Dash #	Description
-291	Japan

## Options

### External Tape Drives

External 20/40-GB DAT DDS-4 Tape Drive	157770-001
External 20/40-GB DAT DDS-4 Tape Drive (Int'l)	157770-B31
External 20/40-GB DAT DDS-4 Tape Drive (Japan)	157770-291
External 40/80-GB DLT Drive	146197-B21
External 40/80-GB DLT Drive (Japan)	146197-291
External 35/70-GB DLT Drive	242521-B21
External 35/70-GB DLT Drive (Japan)	242521-291
External 20/40-GB DLT Drive (Opal)	340744-B22
External 20/40-GB DLT Drive (Opal) (Japan)	340744-292
External AIT 50-GB Tape Drive	157767-001
External AIT 50-GB Tape Drive (Int'l)	157767-B31
External AIT 50-GB Tape Drive (Japan)	157767-291
External AIT 35-GB Tape Drive	388507-001
External AIT 35-GB Tape Drive (Int'l)	388507-B31
External AIT 35-GB Tape Drive (Japan)	388507-291
20/40-GB DAT DDS-4 8 Cassette Autoloader External	166505-001
20/40-GB DAT DDS-4 8 Cassette Autoloader External (Int'l)	166505-B31
20/40-GB DAT DDS-4 8 Cassette Autoloader External (Japan)	166505-291
4-GB DDS-2 DAT Cassette	137611-001
DDS-4 Media (10 pack)	152842-001
20/40-GB DAT 8 Cassette Magazine with Media	171532-B21
12-GB DDS-3 DAT Cassette (10 pack)	295515-B21
DAT Cleaning Cassette	242781-001
AIT 50-GB Data Cassette (5 pack)	152841-001
AIT 35-GB Data Cassette (5 pack)	402371-B21
AIT Cleaning Cassette	402374-B21
DLT IV Drive Cartridge (single)	295194-B21
DLT IV Drive Cartridge (7 pack)	295192-B21
DLT Cleaning Cartridge	199704-001

**Note:** Please see the Compaq 20/40-GB DAT Drive, Compaq 40/80-GB DLT Drive, Compaq 35/70-GB DLT Drive, Compaq 20/40-GB DLT Drive, Compaq AIT 50-GB Tape Drive, Compaq AIT 35-GB Tape Drive, or the Compaq 20/40-GB DAT DDS-4 8 Cassette Autoloader for an up-to-date listing of the latest O/S Support details, please see the following:

[http://www.compaq.com/products/quickspecs/North\\_America/10233\\_na.html](http://www.compaq.com/products/quickspecs/North_America/10233_na.html) (North America)  
[http://www.compaq.com/products/quickspecs/Division/10233\\_div.html](http://www.compaq.com/products/quickspecs/Division/10233_div.html) (Division/World Wide)

### External Storage - Tower

Compaq StorageWorks Enclosure Model 4214T (tower)	124875-001
Compaq StorageWorks Enclosure Model 4214T (tower) (Int'l)	124875-B31
Compaq StorageWorks Enclosure Model 4214T (tower) (Japan)	124875-291
Compaq StorageWorks Enclosure Model 4314T (tower)	190210-001
Compaq StorageWorks Enclosure Model 4314T (tower) (Int'l)	190210-B31
Compaq StorageWorks Enclosure Model 4314T (tower) (Japan)	190210-291

**Note:** The Compaq StorageWorks Enclosure 4200 and 4300 Family supports the Wide Ultra2/Ultra3 1" Hot Plug Hard Drives.

SCSI Storage Expander II	332609-001
SCSI Storage Expander II (Int'l)	332609-B21
SCSI Storage Expander II (Japan)	332609-291
ProLiant Storage System Tower Model UE	348710-002
ProLiant Storage System Tower Model UE (Int'l)	348710-B32
ProLiant Storage System Tower Model UE (Japan)	348710-292
ProLiant Storage System Tower Model U2	304110-B22
ProLiant Storage System Tower Model U2 (Int'l)	304114-B32

## Options

### External Storage – Tower *(continued)*

ProLiant Storage System Tower Model U2 (Japan)	304114-292
<b>Note:</b> The Compaq ProLiant Storage System Models UE and U2 support the Wide-Ultra SCSI-3 Drives.	
StorageWorks Enclosure 4200 Redundant Power Supply Option	119826-B21
StorageWorks Enclosure 4200 Ultra2 Dual Bus I/O Module Option	119829-B21
StorageWorks Enclosure 4200 Ultra3 Single Bus I/O Module Option	190212-B21
StorageWorks Enclosure 4200 Ultra3 Dual Bus I/O Module Option	190213-B21
StorageWorks Enclosure Tower to Rack Conversion Kit	150213-B21
ProLiant Storage System/U Redundant Power Supply Option	224206-001
ProLiant Storage System /U Redundant Power Supply (Int'l)	224214-001

### External Storage - Rack

Compaq StorageWorks Enclosure Model 4214R (rack-mountable)	103381-001
Compaq StorageWorks Enclosure Model 4214R (rack-mountable) (Int'l)	103381-B31
Compaq StorageWorks Enclosure Model 4214R (rack-mountable) (Japan)	103381-291
Compaq StorageWorks Enclosure Model 4254R (rack-mountable)	138151-001
Compaq StorageWorks Enclosure Model 4254R (rack-mountable) (Int'l)	138151-B31
Compaq StorageWorks Enclosure Model 4254R (rack-mountable) (Japan)	138151-291
Compaq StorageWorks Enclosure Model 4314R (rack-mountable)	190209-001
Compaq StorageWorks Enclosure Model 4314R (rack-mountable) (Int'l)	190209-B31
Compaq StorageWorks Enclosure Model 4344R (rack-mountable) (Japan)	190209-291
Compaq StorageWorks Enclosure Model 4354R (rack-mountable)	190211-001
Compaq StorageWorks Enclosure Model 4354R (rack-mountable) (Int'l)	190211-B31
Compaq StorageWorks Enclosure Model 4354R (rack-mountable) (Japan)	190211-291
<b>Note:</b> The Compaq StorageWorks Enclosure 4200 and 4300 Family supports the Wide Ultra2/Ultra3 1" Hot Plug Hard Drives.	
Rack-Mountable SCSI Storage Expander II	332607-001
Rack-Mountable SCSI Storage Expander II (Int'l)	332607-B21
Rack-Mountable SCSI Storage Expander II (Japan)	332607-291
Rack-Mountable ProLiant Storage System Model UE	348700-001
Rack-Mountable ProLiant Storage System Model UE (Int'l)	348700-B31
Rack-Mountable ProLiant Storage System Model UE (Japan)	348700-291
Rack-Mountable ProLiant Storage System Model U2	304100-B22
Rack-Mountable ProLiant Storage System Model U2 (Int'l)	304104-B32
Rack-Mountable ProLiant Storage System Model U2 (Japan)	304104-292
<b>Note:</b> The Compaq ProLiant Storage System Models UE and U2 support the Wide-Ultra SCSI-3 Drives.	
ProLiant Storage System /U Redundant Power Supply	224206-B21
ProLiant Storage System /U Redundant Power Supply (Int'l)	224214-001
StorageWorks Enclosure 4200 Redundant Power Supply Option	119826-B21
StorageWorks Enclosure 4200 Dual Bus Module Option	119829-B21
StorageWorks Enclosure 4300 Ultra3 Single Bus I/O Module Option	190212-B21
StorageWorks Enclosure 4300 Ultra3 Dual Bus I/O Module Option	190213-B21
StorageWorks Enclosure Tower to Rack Conversion Kit	150213-B21

### Server Recovery

ProLiant Storage System RSO/U Tower	387490-002
ProLiant Storage System RSO/U Tower (Int'l)	387490-B32
ProLiant Storage System RSO/U Tower (Japan)	387490-292
Rack-Mountable ProLiant Storage System RSO/U	387256-001
Rack-Mountable ProLiant Storage System RSO/U (Int'l)	387256-B31
Rack-Mountable ProLiant Storage System RSO/U (Japan)	387256-291
<b>Note:</b> The Compaq ProLiant Storage System RSO/U Models support the Wide-Ultra SCSI-3 Drives.	

## Options

### StorageWorks DLT Department Library

TL891 DLT library unit, 1 drive Table Top, FWD	120875-B21
TL891 DLT library unit, 2 drive Table Top, FWD	120875-B22
TL891 DLT library unit, 1 drive Rack, FWD	120876-B21
TL891 DLT library unit, 2 drive Rack, FWD	120876-B22
TL881 DLT library unit, 1 drive Table Top, FWD	128667-B21
TL881 DLT library unit, 2 drive Table Top, FWD	128667-B22
TL881 DLT library unit 1 drive Table Top, FWSE	128688-B21
TL881 DLT library unit 2 drive Table Top, FWSE	128688-B22
TL881 DLT library unit, 1 drive Rack, FWD	128669-B21
TL881 DLT library unit, 2 drive Rack, FWD	128669-B22
Add-On 20/40-GB Drive for TL881	128671-B21
Add-On 35/70-GB Drive for TL891	120878-B21
MiniLibrary Data Unit	128670-B21
MiniLibrary Expansion Unit	120877-B21
StorageWorks Dual Channel Ultra-Wide Differential Library Host Bus Adapter	157229-B21

**Note:** The StorageWorks Dual Channel Ultra-Wide Differential Library Host Bus Adapter is required to support FWD-based tape libraries.

DLT IV Data Cartridges (single pack)	295194-B21
DLT IV Data Cartridges (7 pack)	295192-B21
DLT Cleaning Cartridge	199704-001
MiniLibrary pass-through Mechanism Kit	120880-B21
10 Slot Magazine	120881-B21
MiniLibrary Table Top to Rack Mount Conversion Kit, Metric/RETMA racks	120882-B21
MiniLibrary Table Top to Rack Mount Conversion Kit, Compaq racks	120883-B21

**Note:** Please see the TL881orTL891 Automated DLT Tape Library Solution QuickSpecs for additional information including Upgrade Kits, Accessories, ProLiant Connectivity Kits, Host Bus Adapters, SCSI Cable Kits, and Localization Kits and additional options needed for a complete solution at:  
[http://www.compaq.com/products/quickspecs/North\\_America/10233\\_na.html](http://www.compaq.com/products/quickspecs/North_America/10233_na.html) (North America)  
[http://www.compaq.com/products/quickspecs/Division/10233\\_div.html](http://www.compaq.com/products/quickspecs/Division/10233_div.html) (Division/World Wide)

### Automated AIT Tape Library Solution

SSL2020 AIT Mini-Library 1 drive, 20 slot Table Top	175195-B21
SSL2020 AIT Mini-Library 2 drive, 20 slot Table Top	175195-B22
SSL2020 AIT Mini-Library 1 drive, 20 slot Rackmount	175196-B21
SSL2020 AIT Mini-Library 2 drive, 20 slot Rackmount	175196-B22
SSL2020 AIT Library Pass Thru with Transport	175312-B21
SSL2020 AIT Library Pass Thru Extender	175312-B22
AIT 50GB Drive Add-On LVD Drive for SSL2020 AIT Library	175197-B21
19 Slot Magazine for SSL2020 AIT Library	175198-B21
AIT 50-GB Data Cassette (5 pack)	152841-001
AIT Cleaning Cassette	402374-B21
Tabletop to Rackmount Upgrade Kit for SSL2020 AIT Library, Compaq Rack	175199-B21
Tabletop to Rackmount Upgrade Kit for SSL2020 AIT Library, RETMA racks	175199-B22

**Note:** Please see the AIT Automated DLT Tape Library Solution QuickSpecs for additional information including Upgrade Kits, Accessories, and SCSI Cable Kits and additional options needed for a complete solution at:  
[http://www.compaq.com/products/quickspecs/North\\_America/10233\\_na.html](http://www.compaq.com/products/quickspecs/North_America/10233_na.html) (North America)  
[http://www.compaq.com/products/quickspecs/Division/10233\\_div.html](http://www.compaq.com/products/quickspecs/Division/10233_div.html) (Division/World Wide)

## Options

### Tape Array Solution

TA1000 AIT Tape Array, Rackmount (U.S.)	175005-001
TA1000 AIT Tape Array, Rackmount (Int'l)	175005-B31
TA1000 AIT Tape Array, Rackmount (Japan)	175005-291
AIT 50-GB Data Cassette (5 pack)	152841-001
AIT Cleaning Cassette	402374-B21
DLT Tape Array III Model 40/80-4	161140-001
DLT Tape Array III Model 40/80-4 (Int'l)	161140-B31
DLT Tape Array III Model 40/80-4 (Japan)	161140-291
DLT Tape Array III Model 0	168047-001
DLT Tape Array III Model 0 (Int'l)	168047-B31
DLT Tape Array III Model 0 (Japan)	168047-291
DLT Tape Array Model 0	199860-001
DLT Tape Array II Model 35/70-4 no software	295165-001
DLT Tape Array II Model 35/70-4 no software (Int'l)	295165-B31
DLT IV Data Cartridges (single pack)	295194-B21
DLT IV Data Cartridges (7 pack)	295192-B21
DLT Cleaning Cartridge	199704-001
DLT Library Tabletop Conversion Kit	350384-B21
Tape Array Cable Kit	242427-001

(Available for the DLT Tape Array and DLT Tape Array II only.)

**Note:** Please see the Compaq TA1000 AIT Tape Array, Compaq DLT Tape Array III, or the Compaq DLT Tape Array II QuickSpecs for additional information including Tape Drives, Cartridges, Controllers, and SCSI Cables and additional options needed for a complete solution at:

[http://www.compaq.com/products/quickspecs/North\\_America/10233\\_na.html](http://www.compaq.com/products/quickspecs/North_America/10233_na.html) (North America)

[http://www.compaq.com/products/quickspecs/Division/10233\\_div.html](http://www.compaq.com/products/quickspecs/Division/10233_div.html) (Division/World Wide)



## Options

### StorageWorks RAID Array 4100

StorageWorks Raid Array 4100 (rack)	146013-001
StorageWorks Raid Array 4100 (rack) (Int'l)	146013-B31
StorageWorks Raid Array 4100 (rack) (Japan)	146013-291
Fibre Channel Storage Hub 12	295573-001
Fibre Channel Storage Hub 12 (Int'l)	295573-B31
Fibre Channel Storage Hub 12 (Japan)	295573-291
Fibre Channel Storage Hub 7	234453-001
Fibre Channel Storage Hub 7 (Int'l)	234453-B31
Fibre Channel Storage Hub 7 (Japan)	234453-291
Compaq Storage Hub 7 Universal Rack Mount Kit	136127-B21
Fibre Channel Storage Hub – 12 Port with 41U/42U Bracket	295573-B22
Compaq Storage Hub 12 Management Option	159262-B21
64-bit/66MHz Fibre Channel Host Adapter	120186-B21
64-bit/66MHz Fibre Channel Host Adapter (Japan)	120186-291
Fibre Channel Host Adapter Redundancy Kit	174681-B21
StorageWorks Raid Array 4000 Redundant Array Controller	223187-B21
StorageWorks Fibre Channel Arbitrated Loop Switch 8	177862-B21
StorageWorks Fibre Channel Arbitrated Loop Switch 8 (Japan)	177862-291
StorageWorks Fibre Channel Arbitrated Loop 3-Port Expansion Module	177863-B21
GBIC-SW Connector Kit (two each)	234459-B21
GBIC-LW Connector Kit (two each)	340412-B21
Fibre Channel Connection Kit, 3 SW GBICS, 2 Cables	380579-B21
Fibre Channel Connection Kit, 2 SW GBICS, 2 Cables	380596-B21
Fibre Channel Short Wave GBIC	380561-B21
Fibre Channel Long Wave GBIC	127508-B21
2m Multi-Mode Fibre Channel Cable	234457-B21
5m Multi-Mode Fibre Channel Cable	234457-B22
15m Multi-Mode Fibre Channel Cable	234457-B23
30m Multi-Mode Fibre Channel Cable	234457-B24
50m Multi-Mode Fibre Channel Cable	234457-B25
Raid Array 4000 Redundant Power Supply	224206-001
Raid Array 4000 Tower to Rack Conversion Kit	297162-B21
Raid Array 4100 Rack to Tower Conversion Kit	154253-B21
Upgrade Kit for ProLiant Storage System F and F1	296324-B21
Fibre Channel Troubleshooting Kit	234468-B21

### StorageWorks RAID Array 8000

#### Departmental Pedestal Models

RA8000 FC Single Controller (Opal)	380560-B22
RA8000 FC Dual Controller (Opal)	380550-B22
Expansion Cabinet 24-slot (Opal)	380570-B22

#### Rack Mountable Models

RA8000 FC Single Controller	380670-B21
RA8000 FC Dual Controller	380550-B21
Expansion Cabinet 24 slot	380570-B21

**Note:** Please see the Compaq StorageWorks Fibre Channel RAID Array 8000, RAID Array 7000, ESA12000 or ESA10000 QuickSpecs for FC Hubs, FC switches, platform software, host adapters, disks and options for complete solutions at:

[http://www.compaq.com/products/quickspecs/North\\_America/10418\\_na.html](http://www.compaq.com/products/quickspecs/North_America/10418_na.html) (North America)

[http://www.compaq.com/products/quickspecs/Division/10418\\_div.html](http://www.compaq.com/products/quickspecs/Division/10418_div.html) (Division/World Wide)

## Options

### StorageWorks Enterprise Storage Array 12000

#### ESA Building Blocks

High-Capacity/General Business - Dual Controllers 48 slots, 60 Hz (Opal)	380600-002
High-Capacity/General Business - Dual Controllers 48 slots, 50 Hz (Opal)	380610-B22
High Bandwidth Quad controllers 48 slots, 60 Hz (Opal)	380620-002
High Bandwidth Quad controllers 48 slots, 50 Hz (Opal)	380630-B22
Single Expansion Dual controllers 24 slots, 25U extra cabinet space, 60 Hz (Opal)	380580-002
Single Expansion Dual controllers 24 slots, 25U extra cabinet space, 50 Hz (Opal)	380590-B22
Expansion enclosure 48 slots, 60 Hz (Opal)	380640-002
Expansion enclosure 48 slots, 50 Hz (Opal)	380650-B22

**Note:** Please see the Compaq StorageWorks Fibre Channel RAID Array 8000, RAID Array 7000, ESA12000 or ESA10000 QuickSpecs for FC Hubs, FC switches, platform software, host adapters, disks and options for complete solutions at:

[http://www.compaq.com/products/quickspecs/North\\_America/10418\\_na.html](http://www.compaq.com/products/quickspecs/North_America/10418_na.html) (North America)

[http://www.compaq.com/products/quickspecs/Division/10418\\_div.html](http://www.compaq.com/products/quickspecs/Division/10418_div.html) (Division/World Wide)

### StorageWorks Modular Array 6000

MA6000 D14	187738-B21
MA6000 S14	187739-B21

**Note:** Please see the Compaq StorageWorks MA6000 QuickSpecs for FC Hubs, FC switches, platform software, host adapters, disks and options for complete solutions at:

[http://www.compaq.com/products/quickspecs/North\\_America/10418\\_na.html](http://www.compaq.com/products/quickspecs/North_America/10418_na.html) (North America)

[http://www.compaq.com/products/quickspecs/Division/10418\\_div.html](http://www.compaq.com/products/quickspecs/Division/10418_div.html) (Division/World Wide)

### StorageWorks Modular Array 8000/Enterprise Modular Array 12000

EMA12000 D14 60 Hz	175990-B21
EMA12000 D14 50 Hz	175990-B22
EMA12000 S14 60 Hz	175991-B21
EMA12000 S14 50 Hz	175991-B22
MA8000 60 Hz	175992-B21
MA8000 50 Hz	175992-B22
EMA12000 Blue 60 Hz	175993-B21
EMA12000 Blue 50 Hz	175993-B22

**Note:** Options include controller, solution kits, ACS. MA8000/EMA12000 includes controller shelf, drive shelves and cabinet. Packaging upgrade to RA8000/ESA12000.

**Note:** Please see the Compaq StorageWorks MA8000/EMA12000 QuickSpecs for FC Hubs, FC switches, platform software, host adapters, disks and options for complete solutions at:

[http://www.compaq.com/products/quickspecs/North\\_America/10418\\_na.html](http://www.compaq.com/products/quickspecs/North_America/10418_na.html) (North America)

[http://www.compaq.com/products/quickspecs/Division/10418\\_div.html](http://www.compaq.com/products/quickspecs/Division/10418_div.html) (Division/World Wide)

### StorageWorks Options

Fibre Channel Tape Controller – II	152975-001
Fibre Channel Tape Controller – II (Int'l)	152975-B31
Fibre Channel Tape Controller – II (Japan)	152975-291
Fibre Channel Storage Switch 16	380578-B21
Fibre Channel Storage Switch 8	380591-B21
Fibre Channel SAN Switch/8 with Fabric Operating Software	158222-B21
Fibre Channel SAN Switch/8 with Fabric Operating Software	158223-B21
F200 Clustering Kit	380357-B21

## Options

### Uninterruptible Power Systems - Tower

UPS Model T1000 (100 to 127 Volt/1000 Volt Amp)	242688-001
UPS Model T1000h (208 to 240 Volt/1000 Volt Amp) (Int'l)	242688-002
UPS Model T1500 (100 to 127 Volt/1440 Volt Amp)	242688-003
UPS Model T1500h (208 to 240 Volt/1440 Volt Amp) (Int'l)	242688-004
UPS Model T1500j (100 to 127 Volt) (Japan)	242688-293
UPS Model T2000 (100 to 127 Volt/1920 Volt Amp)	242688-005
UPS Model T2000j (100 to 127 volt) (Japan)	242688-295
UPS Model T2400h-NA (208 to 240 Volt/2300 Volt Amp)	242688-007
UPS Model T2400h (208 to 240 Volt) (Int'l)	242688-006
Multi-Server UPS Card	123508-B21
Scalable UPS Card	123509-B21
SNMP-EN Adapter	347225-B21
High to Low Voltage Transformer (250VA)	388643-B21

### Uninterruptible Power Systems - Rack

Rack-Mountable UPS R1500 (100 to 127 VAC) (NA)	242704-001
Rack-Mountable UPS R1500h (208 to 240 VAC) (Int'l)	242704-002
Rack-Mountable UPS R1500j (100 to 127 VAC) (Japan)	242704-291
Rack-Mountable UPS R3000 (100 to 127 VAC) (NA)	242705-001
Rack-Mountable UPS R3000h (208 to 240 VAC) (Int'l)	242705-002
Rack-Mountable UPS R3000h-NA (208 to 240 VAC) NDC (non-detached cord)	242705-003
Rack-Mountable UPS R3000j (100 to 127 VAC) (Japan)	242705-291
Compaq UPS R3000 XR (120V) (NA)	192186-001
Compaq UPS R3000 XR (100V) (Japan)	192186-291
Compaq UPS R3000 XR (208V) (NA)	192186-002
Compaq UPS R3000 XR (208V) (Japan)	192186-292
Compaq UPS R3000 XR (230V) (EURO, IEC-309P)	192186-B32
Compaq UPS R3000 XR (208V) (Int'l - detachable cord)	192186-B31
Rack-Mountable UPS R6000 (208V) (NA)	347207-001
Rack-Mountable UPS R6000 (230V) (Int'l)	347207-B31
Rack-Mountable UPS R6000 (200V) (Japan)	347207-291
R6000 Extended Runtime Module	347224-B21
<b>Note:</b> Available for the UPS R6000 Models only.	
Extended Runtime Battery, R3000 XR	192188-B21
<b>Note:</b> Available for the UPS R3000 XR Models only.	
Six-Port Card	192185-B21
<b>Note:</b> Available for the UPS R3000 XR Models only.	
SNMP/Serial Port Card	192189-B21
<b>Note:</b> Available for the UPS R3000 XR Models only.	
SNMP-EN Adapter	347225-B21
High to Low Voltage Transformer (250VA)	388643-B21
Multi-Server UPS Card	123508-B21
Scalable UPS Card	123509-B21

Please see the Compaq Rack Builder for configuration assistance at

[www.compaq.com/products/storageworks/rack\\_accessories/rackbuilderpro2.html](http://www.compaq.com/products/storageworks/rack_accessories/rackbuilderpro2.html)

### Rack Conversion Kit

Compaq ML370 Tower to Rack Conversion Kit	157006-B21
---	------------

## Options

### Compaq Rack 9000 Series (Opal)

Compaq Rack 9142 (42U) – Pallet	120663-B21
Compaq Rack 9142 (42U) – Shock Pallet	120663-B22
Compaq Rack 9142 (42U) – Crated	120663-B23
Compaq Rack 9136 (36U) – Pallet	120664-B21
Compaq Rack 9136 (36U) – Shock Pallet	120664-B22
Compaq Rack 9136 (36U) – Crated	120664-B23
Compaq Rack 9122 (22U) – Pallet	120665-B21
Compaq Rack 9122 (22U) – Shock Pallet	120665-B22
Compaq Rack 9122 (22U) – Crated	120665-B23

**Note:** -B21 part numbers are for all Geos  
 -B22 part numbers are used to ship configured racks (by custom systems, VARs and Channels)  
 -B23 part numbers are used for air shipments

### Compaq Rack 7000 Series (Beach Gray)

Compaq Rack 7142 (42U) (NA)	165753-001
Compaq Rack 7142 (42U) (Air Shipment)	165753-002
Compaq Rack 7142 (42U) (Int'l)	165753-003
Compaq Rack 7142 (42U) (Japan)	165753-293

### Rack Options for Compaq Rack 9000 Series

Baying/Coupling Kit	120669-B21
Rack 9142 Side Panel	120670-B21
Rack 9136 Side Panel	120671-B21
Ballast Option Kit	120672-B21
Stabilizer Option Kit	120673-B21
Rack Rail Adapter Kit (25" depth)	120675-B21
Fan (110 VAC) Roof Mount	120677-B21
Fan (220 VAC) Roof Mount	120678-B21
9142 Extension Kit	120679-B21
Grounding Kit	120682-B21
Cable Management D-Rings Kit	168233-B21
Rack Blanking Panels (1U)	189453-B21
Rack Blanking Panels (2U)	189453-B22
Rack Blanking Panels (3U)	189453-B23
Rack Blanking Panels (4U)	189453-B24
Rack Blanking Panels (5U)	189453-B25

### Rack Options for Compaq Rack 7000 Series

Rack Sidewall Kit (42U only)	165652-001
Rack Coupling Kit (42U only)	165664-001
Stabilizing Feet (42U only)	189907-001
High Air Flow Rack Door Insert for 7122	157847-B21
High Air Flow Rack Door Insert for 7142	327281-B21
High Air Flow Rack Door Insert for 7142 (6 pack)	327281-B22
Compaq Rack Extension Kit for 7142	154392-B21

### Options

#### Rack Options for Compaq Rack 7000 and 9000 Series

Sliding Shelf Kit	332564-B21
Monitor Utility Shelf	303606-B21
Rack Blanking Panel Kit for Rack 7000 series (Beach Gray) (U.S.)	169940-001
Rack Blanking Panel Kit for Rack 9000 series(Opal) (U.S.)	169940-B21
Compaq Networking Cable Management Kit	292407-B21
Compaq Networking Recessed Rail Management Kit	292406-B21
Compaq Power Distribution Unit-24A Low Voltage PDU	295363-001
Compaq Power Distribution Unit-24A Low Voltage PDU (Japan)	295363-291
Compaq Power Distribution Unit-16A High Voltage PDU (cord attached) (US)	295363-002
Compaq Power Distribution Unit-16A High Voltage, 16A (detachable cord) (NA, Int'l)	295363-B21
Compaq Power Distribution Unit-24A High Voltage PDUh-NDC (non-detached cord) (Int'l)	295363-B32
Compaq Power Distribution Unit-24A High Voltage (NA only)	295363-003
Compaq Dual Input Power Distribution Unit-24A High Voltage (NA only)	191186-001
Server Console Switch 1 x 2 port (100 to 230 VAC)	120206-001
Server Console Switch 1 x 2 port (100 to 230 VAC) (Int'l)	120206-B31
Server Console Switch 1 x 2 port (100 to 230 VAC) (Japan)	120206-291
Server Console Switch 1 x 4 port (100 to 230 VAC)	400336-001
Server Console Switch 1 x 4 port (100 to 230 VAC) (Int'l)	400336-B31
Server Console Switch 1 x 4 port (100 to 230 VAC) (Japan)	400336-291
Server Console Switch 1 x 8 port (100 to 230 VAC)	400337-001
Server Console Switch 1 x 8 port (100 to 230 VAC) (Int'l)	400337-B31
Server Console Switch 1 x 8 port (100 to 230 VAC) (Japan)	400337-291
Server Console Switch 2 x 8 port (100 to 230 VAC)	400338-001
Server Console Switch 2 x 8 port (100 to 230 VAC) (Int'l)	400338-B31
Server Console Switch 2 x 8 port (100 to 230 VAC) (Japan)	400338-291
Server Console Switch 2 x 8 port (48VDC)	400542-B21
CPU to Server Console Cable, 12'	110936-B21
CPU to Server Console Cable, 20'	110936-B22
CPU to Server Console Cable, 40'	110936-B23
CPU to Server Console Cable, 3'	110936-B24
CPU to Server Console Cable, 6'	110936-B25
CPU to Server Console Cable (Plenum Rated) 20'	149363-B21
CPU to Server Console Cable (Plenum Rated) 40'	149364-B21
Switch Box Connector Kit (115V)	144007-001
Switch Box Connector Kit (230V)	144007-002
Switch Box Connector Kit (High Voltage) (Int'l)	144007-B33
Rack Internal Trackball Keyboard (Opal) (UK)	185152-036
Rack Internal Trackball Keyboard (Opal) (Germany)	185152-046
Rack Internal Trackball Keyboard (Opal) (France)	185152-056
Rack Internal Trackball Keyboard (Opal) (Italy)	185152-066
Rack Internal Trackball Keyboard (Opal) (Spain)	185152-076
Rack Internal Trackball Keyboard (Opal) (Denmark)	185152-086
Rack Internal Trackball Keyboard (Opal) (Norway)	185152-096
Rack Internal Trackball Keyboard (Opal) (Sweden/Finland)	185152-106
Rack Internal Trackball Keyboard (Opal) (Switzerland)	185152-116
Rack Internal Trackball Keyboard (Opal) (Portugal)	185152-136
Rack Internal Trackball Keyboard (Opal) (Belgium)	185152-186
Rack Internal Trackball Keyboard (Opal) (Japan)	185152-296
Rack Internal Trackball Keyboard (Opal) (U.S.)	185152-406
Rack Internal Trackball Keyboard (Opal) (Int'l)	185152-B36
1U Rack Keyboard Drawer	338056-B21

## Options

### Rack Options for Compaq Rack 7000 and 9000 Series *(continued)*

Keyboard/Monitor/Mouse extension cables	169989-001
---	------------

### Rack Options for Third Party Cabinet Racks

Depth Adjustable Fixed Rails	332558-B21
------------------------------	------------

### Service Upgrades (CarePacs)

#### Hardware Services 4-Hour On-site Service

4-Hour On-site Service, 5-Day x 9-Hour Coverage, 3 Years (2-5-2 Part Number for U.S.)	FM-LO4HR-36
4-Hour On-site Service 5-Day x 9-Hour Coverage, 3 Years (2-5-2 Part Number for Canada)	FP-LO4HR-36
4-Hour On-site Service, 5-Day x 9-Hour, 3 Years (6-3 Part Number for U.S.)	162658-002
4-Hour On-site Service, 5-Day x 9-Hour Coverage, 3 Years (6-3 Part Number for Canada)	162658-122
4-Hour On-site Service, 5-Day x 9-Hour Coverage, 3 Years (6-3 Part Number for EMEA)	324417-002
4-Hour On-site Service, 7-Day x 24-Hour Coverage, 3 Years (2-5-2 Part Number for U.S.)	FM-LO724-36
4-Hour On-site Service, 7-Day x 24-Hour Coverage, 3 Years (2-5-2 Part Number for Canada)	FP-LO724-36
4-Hour On-site Service, 7-Day x 24-Hour Coverage, 3 Years (6-3 Part Number for U.S.)	162657-002
4-Hour On-site Service, 7-Day x 24-Hour Coverage, 3 Years (6-3 Part Number for Canada)	162657-122
4-Hour On-site Service, 7-Day x 24-Hour Coverage, 3 Years (6-3 Part Number for EMEA)	376912-022

#### Installation & Start-up Services

Hardware Installation (2-5-2 Part Number for U.S.)	FM-LOINS-IN
Hardware Installation (2-5-2 Part Number for Canada)	FP-LOINS-IN
Hardware Installation (6-3 Part Number for U.S.)	401792-002
Hardware Installation (6-3 Part Number for Canada)	401792-122
Hardware Installation (6-3 Part Number for EMEA)	Quote
O/S & Hardware Installation (2-5-2 Part Number for U.S.) (Hardware installation plus two days O/S start-up activity (installation, configuration, network access & orientation))	FP-CXHSI-02
O/S & Hardware Installation (6-3 Part Number for U.S.) (Hardware installation plus two days O/S start-up activity (installation, configuration, network access & orientation))	160556-002
O/S & Hardware Installation (6-3 Part Number for EMEA) (Hardware installation plus two days O/S start-up activity (installation, configuration, network access & orientation))	Quote

#### Business Solutions Priority Service Plan – Priority Level

5 x 9 4-hour H/W, 5 x 9 2-hour O/S (NT & NetWare), three years (2-5-2 Part Number for U.S.)	FP-CX102-36
5 x 9 4-hour H/W, 5 x 9 2-hour O/S (NT & NetWare), three years (2-5-2 Part Number for Canada)	FP-CZ102-36
5 x 9 4-hour H/W, 5 x 9 2-hour O/S (NT & NetWare), three years (6-3 Part Number for U.S.)	155324-002
5 x 9 4-hour H/W, 5 x 9 2-hour O/S (NT & NetWare), three years (6-3 Part Number for Canada)	155324-122
5 x 9 4-hour H/W, 5 x 9 2-hour O/S (NT & NetWare), three years (6-3 Part Number for EMEA)	179835-022

#### Business Solutions Priority Service Plan – Priority 24 Level

7 x 24 4-hour H/W, 7 x 24 2-hour O/S (NT & NetWare), three years (2-5-2 Part Number for U.S.)	FP-CX202-36
7 x 24 4-hour H/W, 7 x 24 2-hour O/S (NT & NetWare), three years (6-3 Part Number for U.S.)	155328-002
7 x 24 4-hour H/W, 7 x 24 2-hour O/S (NT & NetWare), three years (6-3 Part Number for EMEA)	179840-022

## Options

### Service Upgrades (CarePaks) (continued)

#### **Business Solutions Priority Service Plan – Priority Plus Level**

7 x 24 4-hour H/W, 7 x 24 1-hour O/S (NT & NetWare), SPS account review, Three Years (2-5-2 Part Number for U.S.)	FP-CX302-36
7 x 24 4-hour H/W, 7 x 24 1-hour O/S (NT & NetWare), SPS account review, Three Years (2-5-2 Part Number for Canada)	FP-CZ302-36
7 x 24 4-hour H/W, 7 x 24 1-hour O/S (NT & NetWare), SPS account review, Three Years (6-3 Part Number for U.S.)	155332-002
7 x 24 4-hour H/W, 7 x 24 1-hour O/S (NT & NetWare), SPS account review, Three Years (6-3 Part Number for Canada)	155332-122

#### **Business Solutions Priority Service Plan – Priority Premier Level**

7 x 24 2-hour H/W, 7 x 24 1-hour O/S (NT & NetWare), SPS Account Review, Proactive Management Review, named S/w rep, Three Years (2-5-2 Part Number for U.S.)	FP-CX502-36
7 x 24 2-hour H/W, 7 x 24 1-hour O/S (NT & NetWare), SPS Account Review, Proactive Management Review, named S/w rep, Three Years (2-5-2 Part Number for Canada)	FP-CZ502-36
7 x 24 2-hour H/W, 7 x 24 1-hour O/S (NT & NetWare), SPS Account Review, Proactive Management Review, named S/w rep, Three Years (6-3 Part Number for U.S.)	155336-002
7 x 24 2-hour H/W, 7 x 24 1-hour O/S (NT & NetWare), SPS Account Review, Proactive Management Review, named S/w rep, Three Years (6-3 Part Number for Canada)	155336-122

#### **Business Solutions Priority Service Plan – Priority Executive Premier Level**

7 x 24 2-hour H/W, 7 x 24 30-minute O/S (NT & NetWare), SPS Account Review, Proactive Management Review, named S/w rep, Three Years (2-5-2 Part Number for U.S.)	FP-CX702-36
7 x 24 2-hour H/W, 7 x 24 30-minute O/S (NT & NetWare), SPS Account Review, Proactive Management Review, named S/w rep, Three Years (2-5-2 Part Number for Canada)	FP-CZ702-36
7 x 24 2-hour H/W, 7 x 24 30-minute O/S (NT & NetWare), SPS Account Review, Proactive Management Review, named S/w rep, Three Years (6-3 Part Number for U.S.)	155340-002
7 x 24 2-hour H/W, 7 x 24 30-minute O/S (NT & NetWare), SPS Account Review, Proactive Management Review, named S/w rep, Three Years (6-3 Part Number for Canada)	155340-122

**Note:** For more information, customer/resellers can contact [www.Compaq.com/services](http://www.Compaq.com/services).

## Memory

### Compaq ProLiant ML370 All Models

#### STANDARD MEMORY

128-MB PC133-MHz Registered ECC SDRAM DIMM installed (1 x 128-MB SDRAM DIMM)

Standard	Slot			
	1	2	3	4
128 MB	128 MB	Empty	Empty	Empty

#### STANDARD MEMORY PLUS OPTIONAL MEMORY

Up to 3200 MB of memory is available with the optional installation of PC133-MHz Registered ECC SDRAM DIMM memory kits.

Up To	Slot			
	1	2	3	4
3200 MB	128 MB	1024 MB	1024 MB	1024 MB

#### STANDARD MEMORY REPLACED WITH OPTIONAL MEMORY

Up to 4096 MB of memory is available with the removal of the standard 128 MB of memory and the optional installation of PC133-MHz Registered ECC SDRAM DIMM memory kits.

Up To	Slot			
	1	2	3	4
4096 MB	1024 MB	1024 MB	1024 MB	1024 MB

**Note:** This chart does not represent all possible memory configurations.

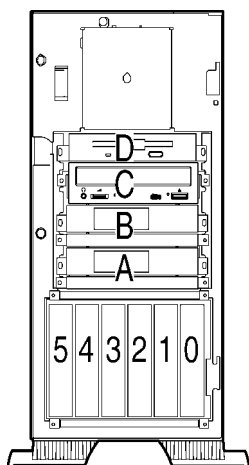
Following are memory options available from Compaq:

- 1024-MB PC133-MHz Registered ECC SDRAM DIMM Memory Option Kit 128280-B21
- 512-MB PC133-MHz Registered ECC SDRAM DIMM Memory Option Kit 128279-B21
- 256-MB PC133-MHz Registered ECC SDRAM DIMM Memory Option Kit 128278-B21
- 128-MB PC133-MHz Registered ECC SDRAM DIMM Memory Option Kit 128277-B21
- 64-MB PC133-MHz Registered ECC SDRAM DIMM Memory Option Kit 128276-B21



## Storage

### TOWER DRIVE SUPPORT



- 0 - 5 6 x 1" Hot Pluggable Hard Drive Bays
- A, B Two available half height bays
- C High Speed IDE CD-ROM Drive
- D 3.5" Diskette Drive

	Quantity Supported	Position Supported	Controller
<b>Removable Media</b>			
1.44-MB Diskette Drive	Up to 1	D	Integrated
IDE CD-ROM Drive	Up to 2	B,C	Integrated IDE
DVD-ROM Drive Option Kit	Up to 2	B,C	Integrated IDE
<b>Hard Drives</b>			
<i>Wide Ultra2 Hot Pluggable Drives</i>			
<b>1-inch</b> 18.2-GB 9.1-GB	Up to 6	0-5	Integrated Dual Channel Wide Ultra2 SCSI Adapter Smart Array 3200 Controller Smart Array 4200 Controller Smart Array 431 Controller Smart Array 5300 Controller 64-bit/66-MHz Dual Channel Wide Ultra3 SCSI Adapter 64-bit/66-MHz Single Channel Wide Ultra3 SCSI Adapter Integrated Smart Array Controller Module (optional)
<i>Wide Ultra2 SCSI - Non-Hot Plug</i>			
<b>1-inch</b> 18.2-GB 9.1-GB	Up to 3	A, B, C (Using the C position requires the removal of CD-ROM)	Integrated Dual Channel Wide Ultra2 SCSI Adapter Smart Array 3200 Controller Smart Array 4200 Controller Smart Array 431 Controller Smart Array 5300 Controller 64-bit/66-MHz Dual Channel Wide Ultra3 SCSI Adapter 64-bit/66-MHz Single Channel Wide Ultra3 SCSI Adapter Integrated Smart Array Controller Module (optional)
<i>Wide Ultra3 Hot Pluggable Drives</i>			
<b>1-inch</b> 36.4-GB 10,000 rpm 18.2-GB 10,000 rpm 9.1-GB 10,000 rpm 18.2-GB 15,000 rpm 9.1-GB 15,000 rpm	Up to 6	0-5	Integrated Dual Channel Wide Ultra2 SCSI Adapter Smart Array 3200 Controller Smart Array 4200 Controller Smart Array 431 Controller Smart Array 5300 Controller 64-bit/66-MHz Dual Channel Wide Ultra3 SCSI Adapter 64-bit/66-MHz Single Channel Wide Ultra3 SCSI Adapter Integrated Smart Array Controller Module (optional)
<i>Wide Ultra3 SCSI - Non-Hot Plug</i>			
<b>1-inch</b> 36.4-GB 10,000 rpm 18.2-GB 10,000 rpm 9.1-GB 10,000 rpm	Up to 3	A, B, C (Using the C position requires the removal of CD-ROM)	Integrated Dual Channel Wide Ultra2 SCSI Adapter Smart Array 3200 Controller Smart Array 4200 Controller Smart Array 431 Controller Smart Array 5300 Controller 64-bit/66-MHz Dual Channel Wide Ultra3 SCSI Adapter 64-bit/66-MHz Single Channel Wide Ultra3 SCSI Adapter Integrated Smart Array Controller Module (optional)
<b>1.6-inch</b> 36.4-GB 10,000 rpm			

## Storage

### TOWER DRIVE SUPPORT *(continued)*

	Quantity Supported	Position Supported	Controller
<b>External Storage</b>			
StorageWorks Enclosure 4200/4300 Family (Supports Ultra2/Ultra3 drives only)	Up to 25	External	Smart Array 431 Controller Smart Array 3200 Controller Smart Array 4200 Controller Smart Array 5300 Controller 64-bit/66-MHz Dual Channel Wide Ultra3 SCSI Adapter 64-bit/66-MHz Single Channel Wide Ultra3 SCSI Adapter
ProLiant Storage System Models UE ProLiant Storage System Models U2 (Supports Wide-Ultra SCSI-3 drives only)	Up to 25	External	Smart Array 3200 Controller Smart Array 4200 Controller Smart Array 5300 Controller 64-bit/66-MHz Dual Channel Wide Ultra3 SCSI Adapter 64-bit/66-MHz Single Channel Wide Ultra3 SCSI Adapter Compaq Wide-Ultra SCSI-3 Adapter
SCSI Storage Expander II	Up to 3	External	Smart Array 3200 Controller Smart Array 4200 Controller Smart Array 5300 Controller Integrated Smart Array Controller Module (optional)
StorageWorks Raid Array 4100 Kit	Up to 25	External	Fibre Channel Host Adapter

#### Maximum Storage Capacity *(Hot Plug)*

Internal	218.4 GB (6 x 36.4-GB hot plug hard drives)
External	10.920 TB (25 ProLiant Storage Systems, each with 12 x 36.4-GB hard drives)
Total	11.138 TB

#### Maximum Storage Capacity *(Hot Plug & Non-Hot Plug)*

Internal	219.2 GB (6 x 36.4-GB hot plug hard drives with 2 x 36.4 GB non-hot plug drives in removable media bays)
External	10.920 TB (25 ProLiant Storage Systems, each with 12 x 36.4-GB hard drives)
Total	11.139 TB

#### Maximum Storage Capacity *(StorageWorks Enclosure SCSI Attached)*

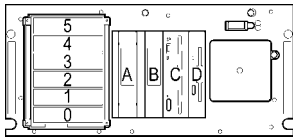
Internal	218.4 GB (6 x 36.4-GB 1" hot plug hard drives)
External	12.740 TB hot plug SCSI storage (25 x (14 x 36.4-GB 1" Wide Ultra2/Ultra3))
Total:	12.958 TB

## Storage

### TOWER DRIVE SUPPORT *(continued)*

	Quantity Supported	Position Supported	Controller
<b>Tape Drives</b>			
<b>Note:</b> For an up-to-date listing of the latest O/S Support details for each of the Tape Drives listed below, please see the following: <a href="http://www.compaq.com/products/quickspecs/North_America/10233_na.html">http://www.compaq.com/products/quickspecs/North_America/10233_na.html</a> (North America) <a href="http://www.compaq.com/products/quickspecs/Division/10233_div.html">http://www.compaq.com/products/quickspecs/Division/10233_div.html</a> (Division/World Wide)			
Internal 20/40-GB DAT DDS-4	Up to 2	A, B	Integrated Dual Channel Wide Ultra2 SCSI Adapter
Internal 12/24-GB DAT			Compaq Wide-Ultra SCSI-3 Adapter
Internal 4/8-GB DAT			Integrated Smart Array Controller Module (optional)
Internal 4/8-GB SLR			64-bit/66-MHz Dual Channel Wide Ultra3 SCSI Adapter 64-bit/66-MHz Single Channel Wide Ultra3 SCSI Adapter
20/40-GB DAT DDS-4 8 Cassette Autoloader	1	External	Integrated Dual Channel Wide Ultra2 SCSI Adapter Compaq Wide-Ultra SCSI-3 Adapter Integrated Smart Array Controller Module (optional) 64-bit/66-MHz Dual Channel Wide Ultra3 SCSI Adapter 64-bit/66-MHz Single Channel Wide Ultra3 SCSI Adapter
Internal 20/40-GB DLT	1	A + B (two bays)	Integrated Dual Channel Wide Ultra2 SCSI Adapter Compaq Wide-Ultra SCSI-3 Adapter 64-bit/66-MHz Dual Channel Wide Ultra3 SCSI Adapter 64-bit/66-MHz Single Channel Wide Ultra3 SCSI Adapter
AIT 50-GB Internal	1	A, B	Integrated Dual Channel Wide Ultra2 SCSI Adapter
AIT 35-GB Internal			Compaq Wide-Ultra SCSI-3 Adapter
AIT 50-GB External			Integrated Smart Array Controller Module (optional)
AIT 35-GB External		External	64-bit/66-MHz Dual Channel Wide Ultra3 SCSI Adapter 64-bit/66-MHz Single Channel Wide Ultra3 SCSI Adapter
DLT Tape Array II Model 35/70	1 to 4	External	Integrated Dual Channel Wide Ultra2 SCSI Adapter Compaq Wide-Ultra SCSI-3 Adapter
External 40/80-GB DLT	Up to 3	External	Integrated Dual Channel Wide Ultra2 SCSI Adapter
External 35/70-GB DLT			Compaq Wide-Ultra SCSI-3 Adapter
External 20/40-GB DLT			64-bit/66-MHz Dual Channel Wide Ultra3 SCSI Adapter 64-bit/66-MHz Single Channel Wide Ultra3 SCSI Adapter
TA1000 AIT Tape Array	Up to 1	External	Compaq Wide-Ultra SCSI-3 Adapter 64-Bit Dual Channel Wide Ultra2 SCSI Adapter 64-Bit/66MHz Dual Channel Wide Ultra3 SCSI Adapter
SSL2020 AIT Mini-Library	Up to 5	External	64-Bit Dual Channel Wide Ultra2 SCSI Adapter 64-Bit/66MHz Dual Channel Wide Ultra3 SCSI Adapter
TL891 DLT Library (1 - 2 Drive)	2 drives per SCSI channel	External	StorageWorks Dual Channel Ultra-Wide Differential Library HBA
TL881 DLT Library (1 - 2 Drive)			

## Storage



- 0 - 5 - 6 x 1" Wide Ultra2 Hot Pluggable Hard Drive Bays
- A, B - Two available half height bays
- C - High Speed IDE CD-ROM - drive
- D - 3.5" Diskette Drive

### RACK DRIVE SUPPORT

	Quantity Supported	Position Supported	Controller
<b>Removable Media</b>			
1.44-MB Diskette Drive	Up to 1	D	Integrated
IDE CD-ROM Drive	Up to 2	B,C	Integrated IDE
DVD-ROM Drive Option Kit	Up to 2	B,C	Integrated IDE
<b>Hard Drives</b>			
<i>Wide Ultra2 Hot Pluggable Drives</i>			
<b>1-inch</b> 18.2-GB 9.1-GB	Up to 6	0-5	Integrated Dual Channel Wide Ultra2 SCSI Adapter Smart Array 3200 Controller Smart Array 4200 Controller Smart Array 431 Controller Smart Array 5300 Controller 64-bit/66-MHz Dual Channel Wide Ultra3 SCSI Adapter 64-bit/66-MHz Single Channel Wide Ultra3 SCSI Adapter Integrated Smart Array Controller Module (optional)
<i>Wide Ultra2 SCSI - Non-Hot Plug</i>			
<b>1-inch</b> 18.2-GB 9.1-GB	Up to 3	A, B, C (Using the C position requires the removal of CD-ROM)	Integrated Dual Channel Wide Ultra2 SCSI Adapter Smart Array 3200 Controller Smart Array 4200 Controller Smart Array 431 Controller Smart Array 5300 Controller 64-bit/66-MHz Dual Channel Wide Ultra3 SCSI Adapter 64-bit/66-MHz Single Channel Wide Ultra3 SCSI Adapter Integrated Smart Array Controller Module (optional)
<i>Wide Ultra3 Hot Pluggable Drives</i>			
<b>1-inch</b> 36.4-GB 10,000 rpm 18.2-GB 10,000 rpm 9.1-GB 10,000 rpm 18.2-GB 15,000 rpm 9.1-GB 15,000 rpm	Up to 6	0-5	Integrated Dual Channel Wide Ultra2 SCSI Adapter Smart Array 3200 Controller Smart Array 4200 Controller Smart Array 431 Controller Smart Array 5300 Controller 64-bit/66-MHz Dual Channel Wide Ultra3 SCSI Adapter 64-bit/66-MHz Single Channel Wide Ultra3 SCSI Adapter Integrated Smart Array Controller Module (optional)
<i>Wide Ultra3 SCSI - Non-Hot Plug</i>			
<b>1-inch</b> 36.4-GB 10,000 rpm 18.2-GB 10,000 rpm 9.1-GB 10,000 rpm  <b>1.6-inch</b> 36.4-GB 10,000 rpm	Up to 3	A, B, C (Using the C position requires the removal of CD-ROM)	Integrated Dual Channel Wide Ultra2 SCSI Adapter Smart Array 3200 Controller Smart Array 4200 Controller Smart Array 431 Controller Smart Array 5300 Controller 64-bit/66-MHz Dual Channel Wide Ultra3 SCSI Adapter 64-bit/66-MHz Single Channel Wide Ultra3 SCSI Adapter Integrated Smart Array Controller Module (optional)

## Storage

### RACK DRIVE SUPPORT *(continued)*

	Quantity Supported	Position Supported	Controller
<b>External Storage</b>			
StorageWorks Enclosure 4200/4300 Family Up to 25 (supports Ultra2/Ultra3 1" drives only)		External	Smart Array 431 Controller Smart Array 3200 Controller Smart Array 4200 Controller Smart Array 5300 Controller 64-bit/66-MHz Dual Channel Wide Ultra3 SCSI Adapter 64-bit/66-MHz Single Channel Wide Ultra3 SCSI Adapter
ProLiant Storage System Models UE ProLiant Storage System Models U2 (supports Wide-Ultra SCSI-3 drives only)	Up to 25	External	Smart Array 3200 Controller Smart Array 4200 Controller Smart Array 5300 Controller 64-bit/66-MHz Dual Channel Wide Ultra3 SCSI Adapter 64-bit/66-MHz Single Channel Wide Ultra3 SCSI Adapter
SCSI Storage Expander II	Up to 3	External	Smart Array 3200 Controller Smart Array 4200 Controller Smart Array 5300 Controller Integrated Smart Array Controller Module (optional) Compaq Wide-Ultra SCSI-3 Adapter
StorageWorks Raid Array 4100 Kit	Up to 25	External	Fibre Channel Host Adapter

### Maximum Storage Capacity *(Hot Plug)*

Internal	218.4 GB (6 x 36.4-GB hot plug hard drives)
External	10.920 TB (25 ProLiant Storage Systems, each with 12 x 36.4-GB hard drives)
Total	11.138 TB

### Maximum Storage Capacity *(Hot Plug & Non-Hot Plug)*

Internal	219.2 GB (6 x 36.4-GB hot plug hard drives with 2 x 36.4 GB non-hot plug drives in removable media bays)
External	10.920 TB (25 ProLiant Storage Systems, each with 12 x 36.4-GB hard drives)
Total	11.139 TB

### Maximum Storage Capacity *(StorageWorks Enclosure SCSI Attached)*

Internal	218.4 GB (6 x 36.4-GB 1" hot plug hard drives)
External	12.740 TB hot plug SCSI storage (25 x (14 x 36.4-GB 1" Wide Ultra2/Ultra3))
Total	12.958 TB

## Storage

### RACK DRIVE SUPPORT *(continued)*

	Quantity Supported	Position Supported	Controller
<b>Tape Drives</b>			
<p><b>Note:</b> For an up-to-date listing of the latest O/S Support details for each of the Tape Drives listed below, please see the following:  <a href="http://www.compaq.com/products/quickspecs/North_America/10233_na.html">http://www.compaq.com/products/quickspecs/North_America/10233_na.html</a> (North America)  <a href="http://www.compaq.com/products/quickspecs/Division/10233_div.html">http://www.compaq.com/products/quickspecs/Division/10233_div.html</a> (Division/World Wide)</p>			
Internal 20/40-GB DAT DDS-4 Internal 12/24-GB DAT Internal 4/8-GB DAT Internal 4/8-GB SLR	Up to 2	A, B	Integrated Dual Channel Wide Ultra2 SCSI Adapter Compaq Wide-Ultra SCSI-3 Adapter Integrated Smart Array Controller Module (optional) 64-bit/66-MHz Dual Channel Wide Ultra3 SCSI Adapter 64-bit/66-MHz Single Channel Wide Ultra3 SCSI Adapter
AIT 50-GB Internal AIT 35-GB Internal AIT 50-GB External AIT 35-GB External	1	A, B  External	Integrated Dual Channel Wide Ultra2 SCSI Adapter Compaq Wide-Ultra SCSI-3 Adapter Integrated Smart Array Controller Module (optional) 64-bit/66-MHz Dual Channel Wide Ultra3 SCSI Adapter 64-bit/66-MHz Single Channel Wide Ultra3 SCSI Adapter
20/40-GB DAT DDS-4 8 Cassette Autoloader	1	External	Integrated Dual Channel Wide Ultra2 SCSI Adapter Compaq Dual Channel Wide-Ultra SCSI-3 Adapter Compaq Wide-Ultra SCSI-3 Adapter 64-bit/66-MHz Dual Channel Wide Ultra3 SCSI Adapter 64-bit/66-MHz Single Channel Wide Ultra3 SCSI Adapter
Internal 20/40-GB DLT	1	A + B (two bays)	Integrated Dual Channel Wide Ultra2 SCSI Adapter Compaq Dual Channel Wide-Ultra SCSI-3 Adapter Compaq Wide-Ultra SCSI-3 Adapter Integrated Smart Array Controller Module (optional) 64-bit/66-MHz Dual Channel Wide Ultra3 SCSI Adapter 64-bit/66-MHz Single Channel Wide Ultra3 SCSI Adapter
DLT Tape Array II Model 35/70	1 to 4	External	Integrated Dual Channel Wide Ultra2 SCSI Adapter Compaq Wide-Ultra SCSI-3 Adapter
External 40/80-GB DLT External 35/70-GB DLT External 20/40-GB DLT	Up to 3	External	Integrated Dual Channel Wide Ultra2 SCSI Adapter Compaq Wide-Ultra SCSI-3 Adapter 64-bit/66-MHz Dual Channel Wide Ultra3 SCSI Adapter 64-bit/66-MHz Single Channel Wide Ultra3 SCSI Adapter
TA1000 AIT Tape Array	Up to 1	External	Compaq Wide-Ultra SCSI-3 Adapter 64-Bit Dual Channel Wide Ultra2 SCSI Adapter 64-Bit/66MHz Dual Channel Wide Ultra3 SCSI Adapter
SSL2020 AIT Mini-Library	Up to 5	External	64-Bit Dual Channel Wide Ultra2 SCSI Adapter 64-Bit/66MHz Dual Channel Wide Ultra3 SCSI Adapter
TL891 DLT Library (1 – 2 Drive) TL881 DLT Library (1 – 2 Drive)	2 drives per SCSI channel	External	StorageWorks Dual Channel Ultra-Wide Differential Library HBA

### Technical Specifications

#### System Unit - Tower

<b>Dimensions</b>	18.63 x 10.63 x 22.67 in/47.32 x 27 x 57.58 cm	
<b>Weight</b>	63 lbs/28.35 kg (without hard drives, no RPS)	
<b>Input Requirements</b>		
Range Line Voltage	90 to 132 VAC/180 to 265 VAC	
Rated Input Voltage	100 to 120 VAC/220 to 240 VAC	
Rated Input Frequency	50 to 60 Hz	
Rated Input Current	6A (110V) to 3A (220V)	
Rated Input Power	550W	
<b>BTU Rating</b>	1,880 BTU/HR	
<b>SCSI Connectors</b>	Three HD68 connectors (2 internal, 1 external) supporting Ultra2	
<b>Power Supply Output Power</b>		
Steady State Power	325W	
Maximum Peak Power	350W	
<b>Temperature Range</b>		
Operating	50° to 93°F/10° to 35°C	
Shipping	-22° to 122°F/-30° to 50°C	
<b>Relative Humidity (non-condensing)</b>		
Operating	8% to 90%	
Non-operating	5% to 95%	
<b>Maximum Wet Bulb Temperature</b>	101.7°F/38.7°C	
<b>Acoustic Noise</b>	<b>L<sub>wAd</sub> (BELS)</b>	<b>L<sub>pAm</sub> (dBA)</b>
Idle (Fixed Disk Drives Spinning)	5.9	41
Operating (Random Seeks to Fixed Disks)	6.0	42

#### System Unit - Rack

<b>Dimensions</b>	8.67 x 19 x 22.75 in/22 x 48.34 x 55.9 cm	
<b>Weight</b>	63 lbs/28.35 kg (without hard drives, no RPS)	
<b>Input Requirements</b>		
Range Line Voltage	90 to 132 VAC/180 to 265 VAC	
Rated Input Voltage	100 to 120 VAC/220 to 240 VAC	
Rated Input Frequency	50 to 60 Hz	
Rated Input Current	6A (110V) to 3A (220V)	
Rated Input Power	550W	
<b>BTU Rating</b>	1,880 BTU/HR	
<b>SCSI Connectors</b>	Three HD68 connectors (2 internal, 1 external) supporting Ultra2	
<b>Power Supply Output Power</b>		
Steady State Power	325W	
Maximum Peak Power	350W	
<b>Temperature Range</b>		
Operating	50° to 93°F/10° to 35°C	
Shipping	-22° to 122°F/-30° to 50°C	
<b>Relative Humidity (non-condensing)</b>		
Operating	8% to 90%	
Non-operating	5% to 95%	
<b>Maximum Wet Bulb Temperature</b>	101.7°F/38.7°C	
<b>Acoustic Noise</b>	<b>L<sub>wAd</sub> (BELS)</b>	<b>L<sub>pAm</sub> (dBA)</b>
Idle (Fixed Disk Drives Spinning)	5.9	41
Operating (Random Seeks to Fixed Disks)	6.0	42

## Technical Specifications

### Optional Redundant Power Supply

<b>Input Requirements</b>	
Rated Input Voltage	100 to 240 VAC
Rated Input Frequency	50 to 60 Hz
Rated Input Current	8A (110V) 4A (220V)
Rated Input Power	728W
<b>BTU Rating</b>	2,490 BTU/HR
<b>Power Supply Output Power</b>	
Steady State Power	400W
Maximum Peak Power	445W
<b>Temperature Range</b>	
Operating	50° to 93°F/10° to 35°C
Shipping	-22° to 122°F/-30° to 50°C
<b>Relative Humidity (non-condensing)</b>	
Operating	8% to 90%
Non-operating	5% to 95%
<b>Maximum Wet Bulb Temperature</b>	101.7°F/38.7°C

### 1.44-MB Diskette Drive

<b>Diskette Size</b>	3.5 in
<b>LED Indicators (front panel)</b>	Green
<b>Read/Write Capacity per Diskette (high/low density)</b>	1.44 MB/720 KB
<b>Drive Supported</b>	One
<b>Drive Height</b>	One-third
<b>Drive Rotation</b>	300 rpm
<b>Transfer Rate (high/low)</b>	500/250 Kb/s
<b>Bytes/Sector</b>	512
<b>Sectors/Track (high/low)</b>	18/9
<b>Tracks/Side (high/low)</b>	80/80
<b>Access Times</b>	
Track-to-Track (high/low)	3/6 ms
Average (high/low)	94/169 ms
Settling Time	15 ms
Latency Average	100 ms
<b>Cylinders (high/low)</b>	80/80
<b>Read/Write Heads</b>	Two



# QUICK SPECS

Compaq ProLiant ML370

## Technical Specifications

Hot Plug  
Wide Ultra2 SCSI  
Hard Drives

<b>18.2 GB</b>	<b>Capacity</b>	18209.3 MB	<b>Seek Time</b> (typical reads, including settling)	
	<b>Height</b>	1 in/25.4 mm	Single Track	0.8 ms
	<b>Width</b>	3.5 in/88.9 mm	Average	7.0 ms
	<b>Interface</b>	Wide Ultra2 SCSI	Full-Stroke	15 ms
	<b>Transfer Rate</b>		Rotational Speed	7200 rpm
	Synchronous (Maximum)	80 MB/s	<b>Physical Configuration</b>	
			Bytes/Sector	512
			Logical Blocks	35,565,080
			<b>Operating Temperature</b>	
			50° to 95°F/10° to 35°C	

<b>9.1 GB</b>	<b>Capacity</b>	9100.0 MB	<b>Seek Time</b> (typical reads, including settling)	
	<b>Height</b>	1 in/25.4 mm	Single Track	0.8 ms
	<b>Width</b>	3.5 in/88.9 mm	Average	7.0 ms
	<b>Interface</b>	Wide Ultra2 SCSI	Full-Stroke	15 ms
	<b>Transfer Rate</b>		Rotational Speed	7200 rpm
	Synchronous (Maximum)	80 MB/s	<b>Physical Configuration</b>	
			Bytes/Sector	512
			Logical Blocks	17,773,524
			<b>Operating Temperature</b>	
			50° to 95°F/10° to 35°C	

Non-Hot Plug  
Wide Ultra2 SCSI  
Hard Drives

<b>18.2 GB</b>	<b>Capacity</b>	18209.3 MB	<b>Seek Time</b> (typical reads, including settling)	
	<b>Height</b>	1 in/25.4 mm	Single Track	0.8 ms
	<b>Width</b>	3.5 in/88.9 mm	Average	5.5 ms
	<b>Interface</b>	Wide Ultra2 SCSI	Full-Stroke	12 ms
	<b>Transfer Rate</b>		Rotational Speed	7200 rpm
	Synchronous (Maximum)	80 MB/s	<b>Physical Configuration</b>	
			Bytes/Sector	512
			Logical Blocks	35,565,080
			<b>Operating Temperature</b>	
			50° to 95°F/10° to 35°C	

<b>9.1 GB</b>	<b>Capacity</b>	9100.0 MB	<b>Seek Time</b> (typical reads, including settling)	
	<b>Height</b>	1 in/25.4 mm	Single Track	0.8 ms
	<b>Width</b>	3.5 in/88.9 mm	Average	7.1 ms
	<b>Interface</b>	Wide Ultra2 SCSI	Full-Stroke	16 ms
	<b>Transfer Rate</b>		Rotational Speed	7200 rpm
	Synchronous (Maximum)	80 MB/s	<b>Physical Configuration</b>	
			Bytes/Sector	512
			Logical Blocks	17,773,524
			<b>Operating Temperature</b>	
			50° to 95°F/10° to 35°C	

# QUICK SPECS

Compaq ProLiant ML370

## Technical Specifications

Hot Plug  
Wide Ultra3 SCSI  
Hard Drives

36.4 GB 10K	<b>Capacity</b>	36400 MB	<b>Seek Time</b> (typical reads, including settling)	
	<b>Height</b>	1 in/25.4 mm	Single Track	0.8 ms
	<b>Width</b>	3.5 in/88.9 mm	Average	5.2 ms
	<b>Interface</b>	Wide Ultra3 SCSI	Full-Stroke	12 ms
	<b>Transfer Rate</b>		Rotational Speed	10,000 rpm
	Synchronous (Maximum)	160 MB/s	<b>Physical Configuration</b>	
			Bytes/Sector	512
			Logical Blocks	71,132,000
			<b>Operating Temperature</b>	50° to 95°F/10° to 35°C
18.2 GB 10K	<b>Capacity</b>	18209.3 MB	<b>Seek Time</b> (typical reads, including settling)	
	<b>Height</b>	1 in/25.4 mm	Single Track	0.8 ms
	<b>Width</b>	3.5 in/88.9 mm	Average	5.2 ms
	<b>Interface</b>	Wide Ultra3 SCSI	Full-Stroke	12 ms
	<b>Transfer Rate</b>		Rotational Speed	10,000 rpm
	Synchronous (Maximum)	160 MB/s	<b>Physical Configuration</b>	
			Bytes/Sector	512
			Logical Blocks	35,565,080
			<b>Operating Temperature</b>	50° to 95°F/10° to 35°C
9.1 GB 10K	<b>Capacity</b>	9100.0 MB	<b>Seek Time</b> (typical reads, including settling)	
	<b>Height</b>	1 in/25.4 mm	Single Track	0.8 ms
	<b>Width</b>	3.5 in/88.9 mm	Average	5.0 ms
	<b>Interface</b>	Wide Ultra3 SCSI	Full-Stroke	12 ms
	<b>Transfer Rate</b>		Rotational Speed	10,000 rpm
	Synchronous (Maximum)	160 MB/s	<b>Physical Configuration</b>	
			Bytes/Sector	512
			Logical Blocks	17,773,524
			<b>Operating Temperature</b>	50° to 95°F/10° to 35°C
18.2 GB 15K	<b>Capacity</b>	18209.3 MB	<b>Seek Time</b> (typical reads, including settling)	
	<b>Height</b>	1 in/25.4 mm	Single Track	0.8 ms
	<b>Width</b>	3.5 in/88.9 mm	Average	5.0 ms
	<b>Interface</b>	Wide Ultra3 SCSI	Full-Stroke	12 ms
	<b>Transfer Rate</b>		Rotational Speed	10,000 rpm
	Synchronous (Maximum)	160 MB/s	<b>Physical Configuration</b>	
			Bytes/Sector	512
			Logical Blocks	35,565,080
			<b>Operating Temperature</b>	50° to 95°F/10° to 35°C
9.1 GB 15K	<b>Capacity</b>	9100.0 MB	<b>Seek Time</b> (typical reads, including settling)	
	<b>Height</b>	1 in/25.4 mm	Single Track	0.8 ms
	<b>Width</b>	3.5 in/88.9 mm	Average	5.0 ms
	<b>Interface</b>	Wide Ultra3 SCSI	Full-Stroke	12 ms
	<b>Transfer Rate</b>		Rotational Speed	10,000 rpm
	Synchronous (Maximum)	160 MB/s	<b>Physical Configuration</b>	
			Bytes/Sector	512
			Logical Blocks	17,773,524
			<b>Operating Temperature</b>	50° to 95°F/10° to 35°C

## Technical Specifications

Non-Hot Plug  
Wide Ultra3 SCSI  
Hard Drives

36.4 GB 10K	<b>Capacity</b>	36419.5 MB	<b>Seek Time</b> (typical reads, including settling)	
	<b>Height</b>	1 in/25.4 mm	Single Track	0.8 ms
	<b>Width</b>	3.5 in/88.9 mm	Average	5.7 ms
	<b>Interface</b>	Wide Ultra3 SCSI	Full-Stroke	13 ms
	<b>Transfer Rate</b>		Rotational Speed	10,000 rpm
	Synchronous (Maximum)	160 MB/s	<b>Physical Configuration</b>	
			Bytes/Sector	512
			Logical Blocks	71,132,000
			<b>Operating Temperature</b> 50° to 95°F/10° to 35°C	
	36.4 GB 10K	<b>Capacity</b>	36419.5 MB	<b>Seek Time</b> (typical reads, including settling)
<b>Height</b>		1.6 in/40.6 mm	Single Track	0.8 ms
<b>Width</b>		3.5 in/88.9 mm	Average	5.7 ms
<b>Interface</b>		Wide Ultra3 SCSI	Full-Stroke	13 ms
<b>Transfer Rate</b>			Rotational Speed	10,000 rpm
Synchronous (Maximum)		160 MB/s	<b>Physical Configuration</b>	
			Bytes/Sector	512
			Logical Blocks	71,132,000
			<b>Operating Temperature</b> 50° to 95°F/10° to 35°C	
18.2 GB 10K		<b>Capacity</b>	18209.3 MB	<b>Seek Time</b> (typical reads, including settling)
	<b>Height</b>	1 in/25.4 mm	Single Track	0.8 ms
	<b>Width</b>	3.5 in/88.9 mm	Average	5.5 ms
	<b>Interface</b>	Wide Ultra3 SCSI	Full-Stroke	12 ms
	<b>Transfer Rate</b>		Rotational Speed	10,000 rpm
	Synchronous (Maximum)	160 MB/s	<b>Physical Configuration</b>	
			Bytes/Sector	512
			Logical Blocks	35,565,080
			<b>Operating Temperature</b> 50° to 95°F/10° to 35°C	
	9.1 GB 10K	<b>Capacity</b>	9100.0 MB	<b>Seek Time</b> (typical reads, including settling)
<b>Height</b>		1 in/25.4 mm	Single Track	0.8 ms
<b>Width</b>		3.5 in/88.9 mm	Average	5.0 ms
<b>Interface</b>		Wide Ultra3 SCSI	Full-Stroke	12 ms
<b>Transfer Rate</b>			Rotational Speed	10,000 rpm
Synchronous (Maximum)		160 MB/s	<b>Physical Configuration</b>	
			Bytes/Sector	512
			Logical Blocks	17,773,524
			<b>Operating Temperature</b> 50° to 95°F/10° to 35°C	

## Technical Specifications

### 40X Max IDE CD-ROM Drive

<b>Disk</b>	
Applicable Disk	CD-ROM, CD-XA, CD-DA (Mode1, Mode 2, Form 1 and 2) Photo CD (Single and Multi-session) Mixed Mode (Audio and Data combined) CD-R
Capacity	540 MB (Mode 1, 12 cm) 650 MB (Mode 2, 12 cm)
<b>Block Size</b>	
Mode 1	2,048 bytes
Mode 2	2,340 bytes, 2,336 bytes
CD-DA	2,352 bytes
CD-XA	2,328 bytes
<b>Interface</b>	IDE (ATAPI)
<b>Access Times (typical)</b>	
Random	100 ms
Full-Stroke	150 ms
<b>Audio Output Level</b>	
line-out	0.7 VRMS at 47 kOhms
<b>Data Transfer Rate</b>	
Sustained	150 KB/s (1X audio)
Burst	16.67 MB/s
<b>Cache Buffer</b>	128 KB
<b>Start-up Time (typical)</b>	< 7 seconds
<b>Stop Time</b>	< 4 seconds
<b>Laser Parameters</b>	
Type	Semiconductor Laser GaAlAs
Wave Length	780 ± 25 nm
<b>Operating Conditions</b>	
Temperature	41° to 113°F/5° to 45°C
Humidity	10% to 80%
<b>Dimensions</b>	
(HxWxD, maximum)	1.7 x 5.85 x 8.11 in/42.9 x 150 x 208 cm
Weight	2.09 lbs/0.95 kg

## Technical Specifications

### 32X Max CD-ROM Drive IDE

<b>Disk</b>	Applicable Disk	CD-ROM (Mode 1 and 2) CD-DA, CD-XA (Mode 2, Form 1 and 2) Photo CD (Single and Multi-session) Mixed Mode (Audio and Data combined) CD-Recordable CD-Rewritable
<b>Capacity</b>		540 MB (Mode 1, 12 cm) 650 MB (Mode 2, 12 cm)
<b>Block Size</b>	Mode 1 Mode 2 CD-DA CD-XA	2,048 2,340, 2,336 2,352 bytes 2,328 bytes
<b>Access Times (typical)</b>	Random Full-Stroke	< 100 ms < 150 ms
<b>Diameter</b>		4.7 in, 3.15 in/12 cm, 8 cm
<b>Thickness</b>		0.05 in/1.2 mm
<b>Track Pitch</b>		1.6 µm
<b>Audio Output Level</b>	line-out Headphone	0.7 VRMS at 47 kOhms 0.6 VRMS at 32 Ohms (maximum volume)
<b>Data Transfer Rate</b>	Sustained Burst	150 KB/s (sustained 1X) 2100 to 4800 KB/s (14X to 32X)
<b>Cache Buffer</b>		128 KB (minimum)
<b>Start-up Time (typical)</b>		< 7 seconds; < 30 seconds (multi-session)
<b>Stop Time</b>		< 4 seconds; < 30 seconds (multi-session)
<b>Laser Parameters</b>	Type Wave Length Divergence Angle Output Power	Semiconductor Laser GaAlAs 780 ± 25 nm 53.5° ± 1.5° 0.14mW
<b>Operating Conditions</b>	Temperature Humidity	41° to 118°F/5° to 45°C 10% to 80%
<b>Dimensions</b>	(HxWxD, maximum) Weight	1.88 x 5.85 x 8.11 in/42.9 x 15 x 208 cm 2.09 lbs/0.95 kg

### Integrated Dual Channel Wide Ultra2 SCSI Adapter

<b>Drives Supported</b>	Up to 15 SCSI devices per channel
<b>Data Transfer Method</b>	32-bit PCI bus-master
<b>SCSI Channel Transfer Rate</b>	80 MB/s per channel
<b>Maximum Transfer Rate per PCI Bus (peak)</b>	133 MB/s
<b>SCSI Termination</b>	Active Termination
<b>SCSI Connectors</b>	1 external, 2 internal (68-pin)

## Technical Specifications

**Compaq NC3163 Fast Ethernet NIC Embedded 10/100 WOL (Wake On LAN)**

<b>Network Interface</b>	10Base-T/100Base-TX
<b>Compatibility</b>	IEEE 802.3/802.3u compliant
<b>Data Transfer Method</b>	32-bit bus-master PCI
<b>Network Transfer Rate</b>	
10Base-T (Half-Duplex)	10 Mb/s
10Base-T (Full-Duplex)	20 Mb/s
100Base-TX (Half-Duplex)	100 Mb/s
100Base-TX (Full-Duplex)	200 Mb/s
<b>Connector</b>	RJ-45
<b>Cable Support</b>	
10Base-T	Categories 3, 4 or 5 UTP; up to 328 feet (100 meters)
100Base-TX	Category 5 UTP; up to 328 feet (100 meters)

**Video Controller**

<b>Controller Chip</b>	ATI RAGE IIC PCI
<b>Video DRAM</b>	4 MB Video SGRAM
<b>Data Transfer Method</b>	32-bit PCI
<b>Support Resolution</b>	Supported Color Depths:
640 x 480	16.7M, 64K, 256, 16
800 x 600	16.7M, 64K, 256, 16
1024 x 768	16.7M, 64K, 256, 16
1152 x 864	16.7M, 64K, 256, 16
1280 x 1024	16.7M, 64K, 256, 16
1600 x 1200	64K, 256, 16
<b>Connector</b>	VGA

## Technical Specifications

### Integrated Smart Array Controller (Optional)

Data Compatible with all Smart Array Controllers	Yes
Instant Upgrades to other Smart Array Controllers	Yes
Consistent Software Manageability Tools	Yes
PCI Bus	32-bit, 33 MHz (integrated on server board)
PCI Peak Data Transfer Rate	133 MB/s
SCSI Protocols Supported	Ultra2, Wide-Ultra
SCSI Peak Data Transfer Rate	80 MB/s
<b>Note:</b> For ProLiant servers having TWO internal drive bays on separate SCSI ports: SCSI Peak Data Transfer Rate is 160 MB/s total; 80 MB/s per channel and Channels is 2.	
Channels	1
<b>Note:</b> For ProLiant servers having TWO internal drive bays on separate SCSI ports: SCSI Peak Data Transfer Rate is 160 MB/s total; 80 MB/s per channel and Channels is 2.	
SCSI Ports (external/internal)	0/1
<b>Note:</b> For ProLiant servers having TWO internal drive bays on separate SCSI ports: SCSI Peak Data Transfer Rate is 160 MB/s total; 80 MB/s per channel and Channels is 2.	
Drives Supported (maximum)	Maximum = total number of internal drives
<b>Note:</b> Maximum is the total number of internal drives on each specific ProLiant server.	
Cache	8-MB read only
RAID Support	0, 1, 0+1, 5
Logical Drives (maximum)	32
Online Configuration	Yes
Online Capacity Expansion	Yes
Logical Drive Capacity Extension	Yes
Online Stripe Size Migration	Yes
Online RAID Level Migration	Yes
Online Spare Support	Yes
Automatic Data Recovery	Yes
Drive Roaming	Yes
Redundant Controllers	No

Smart Array 431  
Controller

## Technical Specifications

Data Compatible with all Smart Array Controllers	Yes
Instant Upgrades to other Smart Array Controllers	Yes
Consistent Software Manageability Tools	Yes
PCI Bus	64-bit, 66MHz
PCI Peak Data Transfer Rate	533 MB/s
SCSI Protocols Supported	Ultra3, Ultra2, Wide-Ultra
SCSI Peak Data Transfer Rate	160 MB/s
Channels	1
SCSI Ports (external/internal)	1/1
Drives Supported (maximum)	14
<b>Note:</b> Drives Supported (maximum) is based on use of Compaq StorageWorks Enclosure 4200/4300 family (14 hard disk drive enclosure).	
Cache	16-MB cache engine
RAID Support	0, 1, 0+1 5
Logical Drives (maximum)	32
Online Configuration	Yes
Online Capacity Expansion	Yes
Logical Drive Capacity Extension	Yes
Online Stripe Size Migration	Yes
Online RAID Level Migration	Yes
Online Spare Support	Yes
Automatic Data Recovery	Yes
Drive Roaming	Yes
Redundant Controllers	No



## Technical Specifications

### Smart Array 5300 Controller

Data Compatible with all Smart Array Controllers	Yes
Instant Upgrades to other Smart Array Controllers	Yes
Consistent Software Manageability Tools	Yes
PCI Bus	64-bit, 66MHz
PCI Peak Data Transfer Rate	533 MB/s
SCSI Protocols Supported	Ultra3, Ultra2, Wide-Ultra
SCSI Peak Data Transfer Rate	640 MB/s total, 160 MB/s per channel
Channels	2, 4
SCSI Ports (external/internal)	2 channel model: 2/2 4 channel model: 4/2
Drives Supported (maximum)	56
<b>Note:</b> Drives Supported (maximum) is based on use of Compaq StorageWorks Enclosure 4200/4300 family. (14 hard disk drive enclosure)	
Cache	128, 64 or 32 MB battery backed read-write
RAID Support	0, 1, 0+1, 5, Advanced Data Guarding
<b>Note:</b> RAID ADG will be available as of Q4 2000. For customers who have purchased the SA-5304/128 a quick firmware upgrades to enable the technology will be available from <a href="http://www.compaq.com/smartarray">www.compaq.com/smartarray</a> . The 128-MB cache module with RAID ADG will also be available as of Q4 2000.	
<b>Note:</b> RAID Support: Advanced Data Guarding (RAID ADG) is available with 128-MB versions of the SA-5300 only.	
Logical Drives (maximum)	32
Online Configuration	Yes
Online Capacity Expansion	Yes
Logical Drive Capacity Extension	Yes
Online Stripe Size Migration	Yes
Online RAID Level Migration	Yes
Online Spare Support	Yes
Automatic Data Recovery	Yes
Drive Roaming	Yes
Redundant Controllers	No

## Technical Specifications

### Smart Array 4200 Controller

Data Compatible with all Smart Array Controllers	Yes
Instant Upgrades to other Smart Array Controllers	Yes
Consistent Software Manageability Tools	Yes
PCI Bus	64-bit, 33 MHz
PCI Peak Data Transfer Rate	266 MB/s
SCSI Protocols Supported	Ultra2, Wide-Ultra
SCSI Peak Data Transfer Rate	320 MB/s total, 80 MB/s per channel
Channels	4
SCSI Ports (external/internal)	4/2
Drives Supported (maximum)	56

**Note:** Drives Supported (maximum) is based on use of Compaq StorageWorks Enclosure 4200/4300 family (14 hard disk drive enclosure).

Cache	64-MB battery backed read-write
RAID Support	0, 1, 0+1, 5
Logical Drives (maximum)	32
Online Configuration	Yes
Online Capacity Expansion	Yes
Logical Drive Capacity Extension	Yes
Online Stripe Size Migration	Yes
Online RAID Level Migration	Yes
Online Spare Support	Yes
Automatic Data Recovery	Yes
Drive Roaming	Yes
Redundant Controllers	No

## Technical Specifications

### Smart Array 3200 Controller

Data Compatible with all Smart Array Controllers	Yes
Instant Upgrades to other Smart Array Controllers	Yes
Consistent Software Manageability Tools	Yes
PCI Bus	32-bit, 33 MHz
PCI Peak Data Transfer Rate	133 MB/s
SCSI Protocols Supported	Ultra2, Wide-Ultra
SCSI Peak Data Transfer Rate	160 MB/s total, 80 MB/s per channel
Channels	2
SCSI Ports (external/internal)	2/2
Drives Supported (maximum)	28
<b>Note:</b> Drives Supported (maximum) is based on use of Compaq StorageWorks Enclosure 4200/4300 family (14 hard disk drive enclosure).	
Cache	64-MB battery backed read-write
RAID Support	0, 1, 0+1, 4, 5
Logical Drives (maximum)	32
Online Configuration	Yes
Online Capacity Expansion	Yes
Logical Drive Capacity Extension	Yes
Online Stripe Size Migration	Yes
Online RAID Level Migration	Yes
Online Spare Support	Yes
Automatic Data Recovery	Yes
Drive Roaming	Yes
Redundant Controllers	No

### 64-bit/66-MHz Single Channel Wide Ultra3 SCSI Adapter

Drives Supported	Up to 14 SCSI devices
Storage Capacity	254.8 GB
Data Transfer Method	64-bit/66-MHz PCI bus-master
Maximum SCSI Channel Transfer Rate	160 MB/s per channel
Maximum Transfer Rate per PCI Bus (peak)	532 MB/s per channel
SCSI Protocols	Wide Ultra3 SCSI Wide Ultra2 SCSI Wide-Ultra SCSI-3 Fast-Wide SCSI-2 Fast SCSI-2
Electrical Protocol	Low Voltage Differential (LVD)
SCSI Termination	Active Termination
External SCSI Connectors	One 68-pin Wide Ultra SCSI-3 connector
Internal SCSI Connectors	Two 68-pin Wide Ultra SCSI-3 connectors (one LVD and one SE) One 50-pin Narrow Ultra connector

## Technical Specifications

64-bit/66-MHz Dual Channel Wide Ultra3 SCSI Adapter

<b>Drives Supported</b>	Up to 28 SCSI devices (14 per channel)
<b>Storage Capacity</b>	509.6 GB
<b>Data Transfer Method</b>	64-bit/66-MHz PCI bus-master
<b>Maximum SCSI Channel Transfer Rate</b>	160 MB/s per channel
<b>Maximum Transfer Rate per PCI Bus (peak)</b>	532 MB/s per channel
<b>SCSI Protocols</b>	Wide Ultra3 SCSI Wide Ultra2 SCSI Wide-Ultra SCSI-3 Fast SCSI-2
<b>Electrical Protocol</b>	Low Voltage Differential (LVD)
<b>SCSI Termination</b>	Active Termination
<b>External SCSI Connectors</b>	Two 68-pin VHDCI connectors
<b>Internal SCSI Connectors</b>	Two 68-pin Wide Ultra SCSI-3 connectors One 50-pin Narrow Ultra connector

Compaq Rack 9142 (42U)(optional)

Dimensions	Total Cabinet	Shipping	Color
Height	78.7 in/2,000 mm	83.38 in/2,168.65 mm	
Depth	35.8 in/909 mm	48 in/121.92 mm	Opal
Width	23.7 in/603 mm	32 in/812.8 mm	
Weight	253 lbs/114.84 kg	325 lbs/147.52 kg	

Compaq Rack 9136 (36U)(optional)

Dimensions	Total Cabinet	Shipping	Color
Height	68.6 in/1,742 mm	75.25 in/1,911.35 mm	
Depth	35.8 in/909 mm	48 in/121.92 mm	Opal
Width	23.7 in/603 mm	32 in/812.8 mm	
Weight	165 lbs/75 kg	234 lbs/106 kg	

Compaq Rack 9122 (22U)(optional)

Dimensions	Total Cabinet	Shipping	Color
Height	43 in/1,092 mm	52.25 in/1,327.15 mm	
Depth	35.8 in/909 mm	48 in/121.92 mm	Opal
Width	24 in/610 mm	32 in/812.8 mm	
Weight	176 lbs/79.89 kg	225 lbs/102.13 kg	