

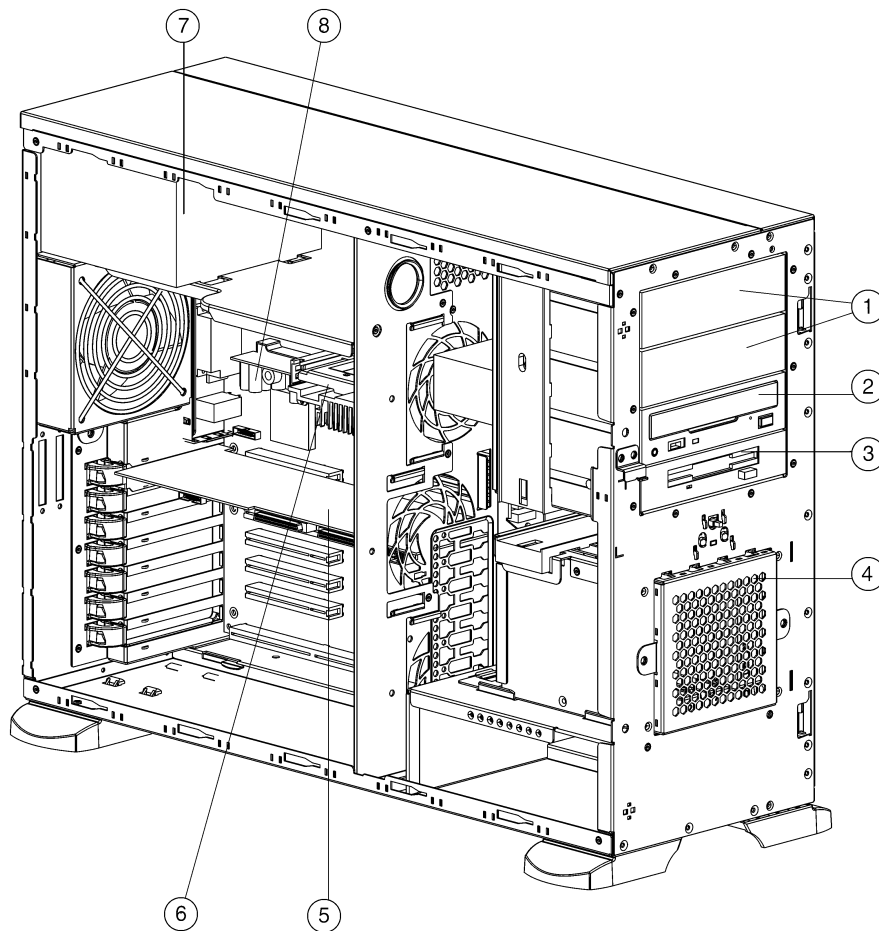
Overview

WHAT'S NEW

- Intel Pentium® III 933 MHz processors (dual processor capability)

AT A GLANCE

- The affordable two-way server that powers your applications today and anticipates your needs for tomorrow
- Intel Pentium III 933 MHz, 866 MHz, 800 MHz, 733 MHz or 600 MHz processors
- ServerWorks (RCC) 3.0 Chipset with 133-MHz Front Side Bus
- Hot Plug Models available
- Bundled Models with Tape Drive and software (NA only)
- 256-KB second level ECC cache standard (full speed)
- 133-MHz GTL Bus Design
- 128-MB PC133-MHz Registered ECC SDRAM DIMM memory standard, expandable to 2-GB
- Seven total slots: two 64-bit PCI, four 32-bit PCI, and one ISA slot (ISA slot dimensions: 312 mm / 12.283 inches)
- Compaq NC3163 Fast Ethernet NIC (embedded) 10/100 WOL (Wake On LAN)
- Integrated Dual Channel Wide Ultra2 SCSI Adapter
- Support for up to four 1" Wide Ultra2/Ultra3 SCSI hard drives
- Internal storage capacity of up to 145.6-GB
- Internal mass storage capacity of up to 218.4 GB (including the two removable media bays)
- Standard 4 x 1" Drive Cage (Hot Plug or Non-Hot Plug depending on Model)
- Compaq Insight Manager, SmartStart and Automatic Server Recovery (ASR)
- Protected by Compaq Services, including a three-year, Next Business Day on-site limited Global warranty and extended Pre-Failure Warranty which covers processors, memory, and hard drives — Certain restrictions and exclusions apply. Consult the Compaq Customer Support Center at 1-800-345-1518 for details.



- | | |
|--|--|
| 1. 5.25-inch Available Removable Media Bays | 5. Server Feature Board |
| 2. High Speed IDE CD-ROM Drive | 6. Processor with Heatsink |
| 3. 1.44-MB Diskette Drive | 7. 300-Watt Power Factor Correction (PFC) Power Supply |
| 4. 4 x 1" Hot Plug or Non-Hot Plug Hard Drive Cage | 8. Processor Power Module |

QUICK SPECS

Compaq *ProLiant* ML350

Standard Features

MODELS

Compaq *ProLiant*™ ML350

Available in multiple configurations.

Processor – One of the following:

Intel Pentium III 933 MHz processor
Intel Pentium III 866 MHz processor
Intel Pentium III 800 MHz processor
Intel Pentium III 733 MHz processor
Intel Pentium III 600 MHz processor

Cache Memory

Integrated 256-KB Level 2 ECC cache (full speed)

Memory

Standard	128 MB (PC133-MHz ECC Registered SDRAM DIMM memory)
Maximum	2 GB

Network Controller

Compaq NC3163 Fast Ethernet NIC (embedded) PCI 10/100 WOL (Wake On LAN)

Expansion Slots

I/O (Total)	7 (6 available)
64-bit PCI	2 (2 available)
32-bit PCI	4 (3 available)
ISA	1 (1 available)

(ISA slot dimensions: 312 mm / 12.283 inches)

Storage Controller

Integrated Dual Channel Wide Ultra2 SCSI Adapter

Storage

Diskette Drives	1.44 MB
CD-ROM	High Speed Max IDE CD-ROM Drive
Hard Drives	One of the following: None 9.1 GB Wide Ultra2 (7200 rpm) 1"
Maximum Internal Storage	145.6 GB (internal drive cage only) 218.4 GB (internal drive cage in addition to placing 36.4GB (1") hard drives in the two removable media bays; brackets required to place these drives come in the bezel blanks that come with the server)

Interfaces

Parallel	1
Serial	2
Pointing Device (Mouse)	1
Graphics	1
Hot Plug Keyboard	1
Network RJ-45	1

Graphics

Integrated ATI Rage IIC Video Controller with 4MB Video Memory

Form Factor

Tower or optional 5U rack conversion kit

Standard Features

Compaq Software

Compaq <i>Insight Manager™</i>	The comprehensive system management tool that monitors the operation of Compaq servers, workstations and clients
Compaq <i>SmartStart™</i>	The server configuration and software integration tool from Compaq
Array Configuration Utility (ACU) with Smart Array Controllers	Same easy to use yet powerful graphical user interface (GUI) configuration utility and easy to navigate wizards for all Smart Array Controllers

Manageability

Compaq Insight Manager
Automatic Server Recovery (ASR)
Drive Parameter Tracking (with Smart Array Controller)
Dynamic Sector Repairing (with Smart Array Controller)
Pre-Failure Warranty (covers processors, memory and hard drives)

Security

Power-on password
Setup password
Diskette boot control
Parallel and serial interface control
Disk configuration lock
Power switch security

Power Supply

300 Watts, Power Factor Correction (PFC), 100 to 240 VAC Rated Input Voltage (Auto-sensing), CE Mark Compliant

Required Cabling

For required cabling information, refer to the Compaq website at <http://www.compaq.com/products/servers/proliantML350>.

Note: This web site available in English only.

OS Support

Microsoft Windows NT Server
Microsoft BackOffice Small Business Server
Microsoft Windows 2000
Novell NetWare
Novell NetWare Small Business Suite
SCO OpenServer 5.0.5
SCO UnixWare
IBM OS/2 Warp Family
LINUX (RedHat, S.U.S.E., TurboLinux Server, Caldera eServer)

Note: For a more complete and up-to-date listing of supported OS's and versions, please visit our OS Support Matrix at: <ftp://ftp.compaq.com/pub/products/servers/os-support-matrix-310.pdf>.

Note: For an up-to-date listing of the latest drivers available for the Compaq ProLiant ML350, please see: <http://www.compaq.com/support/files/server/us/index.html>

Service and Support

Compaq Services provides a wide range of service offerings, including a three-year limited warranty fully supported by a worldwide network of resellers and service providers, lifetime toll-free 7 x 24 hardware technical phone support, and Pre-Failure Warranty coverage of hard drives, memory, and processors. Disaster recovery services are available through partnership with Comdisco.

Note: Certain restrictions and exclusions apply. Consult the Compaq Customer Support Center at 1-800-345-1518 for details.

QUICK SPECS

Compaq *ProLiant* ML350

Standard Features

ML350T01 P933-256K
128MB HP
170476-xx1

ML350T01 P933-256K
128MB NHP 9.1GB Tape
170475-003

NA Model only

ML350T01 P933-256K
128MB 9.1GB NHP
170475-xx2

Note: Model not available in North America

ML350T01 P933-256K
128MB NHP
170475-xx1

ML350T01 P866-256K
128MB 9.1GB HP
159843-xx2

Note: Model not available in North America

Models

Processor(s)	Intel Pentium III 933 MHz	Hard Drives	None
Cache Memory	Integrated 256-KB Level 2 ECC	Network Controller	NC3163 Fast Ethernet NIC (embedded) PCI 10/100 WOL
Memory	PC133-MHz ECC Registered SDRAM DIMM	Storage Controller	Integrated Dual Channel Wide Ultra2 SCSI Adapter
Standard	128 MB	Internal Storage	218.4 GB max
Maximum	2 GB	Optical Drive	High Speed IDE CD-ROM Drive
		Form Factor	Tower or optional 5U rack conversion kit
<hr/>			
Processor(s)	Intel Pentium III 933 MHz	Hard Drives	9.1 GB Wide Ultra2 (7200 rpm NHP)
Cache Memory	Integrated 256-KB Level 2 ECC	Network Controller	NC3163 Fast Ethernet NIC (embedded) PCI 10/100 WOL
Memory	PC133-MHz ECC Registered SDRAM DIMM	Storage Controller	Integrated Dual Channel Wide Ultra2 SCSI Adapter
Standard	128 MB	Internal Storage	218.4 GB max
Maximum	2 GB	Optical Drive	High Speed IDE CD-ROM Drive
Bundled with	12/24-GB DAT Tape Drive and VERITAS Backup Exec Quick Start Edition Software	Form Factor	Tower or optional 5U rack conversion kit
<hr/>			
Processor(s)	Intel Pentium III 933 MHz	Hard Drives	9.1 GB Wide Ultra2 (7200 rpm NHP)
Cache Memory	Integrated 256-KB Level 2 ECC	Network Controller	NC3163 Fast Ethernet NIC (embedded) PCI 10/100 WOL
Memory	PC133-MHz ECC Registered SDRAM DIMM	Storage Controller	Integrated Dual Channel Wide Ultra2 SCSI Adapter
Standard	128 MB	Internal Storage	218.4 GB max
Maximum	2 GB	Optical Drive	High Speed IDE CD-ROM Drive
		Form Factor	Tower or optional 5U rack conversion kit
<hr/>			
Processor(s)	Intel Pentium III 933 MHz	Hard Drives	None
Cache Memory	Integrated 256-KB Level 2 ECC	Network Controller	NC3163 Fast Ethernet NIC (embedded) PCI 10/100 WOL
Memory	PC133-MHz ECC Registered SDRAM DIMM	Storage Controller	Integrated Dual Channel Wide Ultra2 SCSI Adapter
Standard	128 MB	Internal Storage	218.4 GB max
Maximum	2 GB	Optical Drive	High Speed IDE CD-ROM Drive
		Form Factor	Tower or optional 5U rack conversion kit
<hr/>			
Processor(s)	Intel Pentium III 866 MHz	Hard Drives	9.1 GB Wide Ultra2 (7200 rpm HP)
Cache Memory	Integrated 256-KB Level 2 ECC	Network Controller	NC3163 Fast Ethernet NIC (embedded) PCI 10/100 WOL
Memory	PC133-MHz ECC Registered SDRAM DIMM	Storage Controller	Integrated Dual Channel Wide Ultra2 SCSI Adapter
Standard	128 MB	Internal Storage	218.4 GB max
Maximum	2 GB	Optical Drive	High Speed IDE CD-ROM Drive
		Form Factor	Tower or optional 5U rack conversion kit

QUICK SPECS

Compaq ProLiant ML350

Standard Features

ML350T01 P866-256K
128MB HP
159843-xx1

Processor(s)	Intel Pentium III 866 MHz	Hard Drives	None
Cache Memory	Integrated 256-KB Level 2 ECC	Network Controller	NC3163 Fast Ethernet NIC (embedded) PCI 10/100 WOL
Memory	PC133-MHz ECC Registered SDRAM DIMM	Storage Controller	Integrated Dual Channel Wide Ultra2 SCSI Adapter
Standard	128 MB	Internal Storage	218.4 GB max
Maximum	2 GB	Optical Drive	High Speed IDE CD-ROM Drive
		Form Factor	Tower or optional 5U rack conversion kit

ML350T01 P866-256K
128MB NHP 9.1GB Tape
159844-003

NA Model only

Processor(s)	Intel Pentium III 866 MHz	Hard Drives	9.1 GB Wide Ultra2 (7200 rpm NHP)
Cache Memory	Integrated 256-KB Level 2 ECC	Network Controller	NC3163 Fast Ethernet NIC (embedded) PCI 10/100 WOL
Memory	PC133-MHz ECC Registered SDRAM DIMM	Storage Controller	Integrated Dual Channel Wide Ultra2 SCSI Adapter
Standard	128 MB	Internal Storage	218.4 GB max
Maximum	2 GB	Optical Drive	High Speed IDE CD-ROM Drive
Bundled with	12/24-GB DAT Tape Drive and VERITAS Backup Exec Quick Start Edition Software	Form Factor	Tower or optional 5U rack conversion kit

ML350T01 P866-256K
128MB 9.1GB NHP
159844-xx2

Note: Model not available in North America

Processor(s)	Intel Pentium III 866 MHz	Hard Drives	9.1 GB Wide Ultra2 (7200 rpm NHP)
Cache Memory	Integrated 256-KB Level 2 ECC	Network Controller	NC3163 Fast Ethernet NIC (embedded) PCI 10/100 WOL
Memory	PC133-MHz ECC Registered SDRAM DIMM	Storage Controller	Integrated Dual Channel Wide Ultra2 SCSI Adapter
Standard	128 MB	Internal Storage	218.4 GB max
Maximum	2 GB	Optical Drive	High Speed IDE CD-ROM Drive
		Form Factor	Tower or optional 5U rack conversion kit

ML350T01 P866-256K
128MB NHP
159844-xx1

Processor(s)	Intel Pentium III 866 MHz	Hard Drives	None
Cache Memory	Integrated 256-KB Level 2 ECC	Network Controller	NC3163 Fast Ethernet NIC (embedded) PCI 10/100 WOL
Memory	PC133-MHz ECC Registered SDRAM DIMM	Storage Controller	Integrated Dual Channel Wide Ultra2 SCSI Adapter
Standard	128 MB	Internal Storage	218.4 GB max
Maximum	2 GB	Optical Drive	High Speed IDE CD-ROM Drive
		Form Factor	Tower or optional 5U rack conversion kit

ML350T01 P800-256K
128MB 9.1GB HP
159845-xx2

Note: Model not available in North America

Processor(s)	Intel Pentium III 800 MHz	Hard Drives	9.1 GB Wide Ultra2 (7200 rpm HP)
Cache Memory	Integrated 256-KB Level 2 ECC	Network Controller	NC3163 Fast Ethernet NIC (embedded) PCI 10/100 WOL
Memory	PC133-MHz ECC Registered SDRAM DIMM	Storage Controller	Integrated Dual Channel Wide Ultra2 SCSI Adapter
Standard	128 MB	Internal Storage	218.4 GB max
Maximum	2 GB	Optical Drive	High Speed IDE CD-ROM Drive
		Form Factor	Tower or optional 5U rack conversion kit

QUICK SPECS

Compaq *ProLiant* ML350

Standard Features

ML350T01 P800-256K
128MB HP
 159845-xx1

Processor(s)	Intel Pentium III 800 MHz	Hard Drives	None
Cache Memory	Integrated 256-KB Level 2 ECC	Network Controller	NC3163 Fast Ethernet NIC (embedded) PCI 10/100 WOL
Memory	PC133-MHz ECC Registered SDRAM DIMM	Storage Controller	Integrated Dual Channel Wide Ultra2 SCSI Adapter
Standard	128 MB	Internal Storage	218.4 GB max
Maximum	2 GB	Optical Drive	High Speed IDE CD-ROM Drive
		Form Factor	Tower or optional 5U rack conversion kit

ML350T01 P800-256K
128MB NHP 9.1GB Tape
 159846-003

Processor(s)	Intel Pentium III 800 MHz	Hard Drives	9.1 GB Wide Ultra2 (7200 rpm NHP)
Cache Memory	Integrated 256-KB Level 2 ECC	Network Controller	NC3163 Fast Ethernet NIC (embedded) PCI 10/100 WOL
Memory	PC133-MHz ECC Registered SDRAM DIMM	Storage Controller	Integrated Dual Channel Wide Ultra2 SCSI Adapter
Standard	128 MB	Internal Storage	218.4 GB max
Maximum	2 GB	Optical Drive	High Speed IDE CD-ROM Drive
Bundled with	12/24-GB DAT Tape Drive and VERITAS Backup Exec Quick Start Edition Software	Form Factor	Tower or optional 5U rack conversion kit

NA Model only

ML350T01 P800-256K
128MB 9.1GB NHP
 159846-xx2

Processor(s)	Intel Pentium III 800 MHz	Hard Drives	9.1 GB Wide Ultra2 (7200 rpm NHP)
Cache Memory	Integrated 256-KB Level 2 ECC	Network Controller	NC3163 Fast Ethernet NIC (embedded) PCI 10/100 WOL
Memory	PC133-MHz ECC Registered SDRAM DIMM	Storage Controller	Integrated Dual Channel Wide Ultra2 SCSI Adapter
Standard	128 MB	Internal Storage	218.4 GB max
Maximum	2 GB	Optical Drive	High Speed IDE CD-ROM Drive
		Form Factor	Tower or optional 5U rack conversion kit

Note: Model not available in North America

ML350T01 P800-256K
128MB NHP
 159846-xx1

Processor(s)	Intel Pentium III 800 MHz	Hard Drives	None
Cache Memory	Integrated 256-KB Level 2 ECC	Network Controller	NC3163 Fast Ethernet NIC (embedded) PCI 10/100 WOL
Memory	PC133-MHz ECC Registered SDRAM DIMM	Storage Controller	Integrated Dual Channel Wide Ultra2 SCSI Adapter
Standard	128 MB	Internal Storage	218.4 GB max
Maximum	2 GB	Optical Drive	High Speed IDE CD-ROM Drive
		Form Factor	Tower or optional 5U rack conversion kit

ML350T01 P733-256K
128MB 9.1GB HP
 158343-xx2

Processor(s)	Intel Pentium III 733 MHz	Hard Drives	9.1 GB Wide Ultra2 (7200 rpm HP)
Cache Memory	Integrated 256-KB Level 2 ECC	Network Controller	NC3163 Fast Ethernet NIC (embedded) PCI 10/100 WOL
Memory	PC133-MHz ECC Registered SDRAM DIMM	Storage Controller	Integrated Dual Channel Wide Ultra2 SCSI Adapter
Standard	128 MB	Internal Storage	218.4 GB max
Maximum	2 GB	Optical Drive	High Speed IDE CD-ROM Drive
		Form Factor	Tower or optional 5U rack conversion kit

Note: Model not available in North America

QUICKSPECS

Compaq *ProLiant* ML350

Standard Features

ML350T01 P733-256K
128MB HP
 158343-xx1

Processor(s)	Intel Pentium III 733 MHz	Hard Drives	None
Cache Memory	Integrated 256-KB Level 2 ECC	Network Controller	NC3163 Fast Ethernet NIC (embedded) PCI 10/100 WOL
Memory	PC133-MHz ECC Registered SDRAM DIMM	Storage Controller	Integrated Dual Channel Wide Ultra2 SCSI Adapter
Standard	128 MB	Internal Storage	218.4 GB max
Maximum	2 GB	Optical Drive	High Speed IDE CD-ROM Drive
		Form Factor	Tower or optional 5U rack conversion kit

ML350T01 P733-256K
128MB NHP 9.1GB Tape
 158341-003

NA Model only

Processor(s)	Intel Pentium III 733 MHz	Hard Drives	9.1 GB Wide Ultra2 (7200 rpm NHP)
Cache Memory	Integrated 256-KB Level 2 ECC	Network Controller	NC3163 Fast Ethernet NIC (embedded) PCI 10/100 WOL
Memory	PC133-MHz ECC Registered SDRAM DIMM	Storage Controller	Integrated Dual Channel Wide Ultra2 SCSI Adapter
Standard	128 MB	Internal Storage	218.4 GB max
Maximum	2 GB	Optical Drive	High Speed IDE CD-ROM Drive
Bundled with	12/24-GB DAT Tape Drive and VERITAS Backup Exec Quick Start Edition Software	Form Factor	Tower or optional 5U rack conversion kit

ML350T01 P733-256K
128MB 9.1GB NHP
 158341-xx2

Note: Model not available in North America

Processor(s)	Intel Pentium III 733 MHz	Hard Drives	9.1 GB Wide Ultra2 (7200 rpm NHP)
Cache Memory	Integrated 256-KB Level 2 ECC	Network Controller	NC3163 Fast Ethernet NIC (embedded) PCI 10/100 WOL
Memory	PC133-MHz ECC Registered SDRAM DIMM	Storage Controller	Integrated Dual Channel Wide Ultra2 SCSI Adapter
Standard	128 MB	Internal Storage	218.4 GB max
Maximum	2 GB	Optical Drive	High Speed IDE CD-ROM Drive
		Form Factor	Tower or optional 5U rack conversion kit

ML350T01 P733-256K
128MB NHP
 158341-xx1

Processor(s)	Intel Pentium III 733 MHz	Hard Drives	None
Cache Memory	Integrated 256-KB Level 2 ECC	Network Controller	NC3163 Fast Ethernet NIC (embedded) PCI 10/100 WOL
Memory	PC133-MHz ECC Registered SDRAM DIMM	Storage Controller	Integrated Dual Channel Wide Ultra2 SCSI Adapter
Standard	128 MB	Internal Storage	218.4 GB max
Maximum	2 GB	Optical Drive	High Speed IDE CD-ROM Drive
		Form Factor	Tower or optional 5U rack conversion kit

ML350T01 P600-256K
128MB 9.1GB HP
 152843-xx2

Note: Model not available in North America

Processor(s)	Intel Pentium III 600 MHz	Hard Drives	9.1 GB Wide Ultra2 (7200 rpm HP)
Cache Memory	Integrated 256-KB Level 2 ECC	Network Controller	NC3163 Fast Ethernet NIC (embedded) PCI 10/100 WOL
Memory	PC133-MHz ECC Registered SDRAM DIMM	Storage Controller	Integrated Dual Channel Wide Ultra2 SCSI Adapter
Standard	128 MB	Internal Storage	218.4 GB max
Maximum	2 GB	Optical Drive	High Speed IDE CD-ROM Drive
		Form Factor	Tower or optional 5U rack conversion kit

QUICK SPECS

Compaq *ProLiant* ML350

Standard Features

ML350T01 P600-256K
128MB HP
152843-xx1

Processor(s)	Intel Pentium III 600 MHz	Hard Drives	None
Cache Memory	Integrated 256-KB Level 2 ECC	Network Controller	NC3163 Fast Ethernet NIC (embedded) PCI 10/100 WOL
Memory	PC133-MHz ECC Registered SDRAM DIMM	Storage Controller	Integrated Dual Channel Wide Ultra2 SCSI Adapter
Standard	128 MB	Internal Storage	218.4 GB max
Maximum	2 GB	Optical Drive	High Speed IDE CD-ROM Drive
		Form Factor	Tower or optional 5U rack conversion kit

ML350T01 P600-256K
128MB NHP 9.1GB Tape
116185-003

NA Model only

Processor(s)	Intel Pentium III 600 MHz	Hard Drives	9.1 GB Wide Ultra2 (7200 rpm NHP)
Cache Memory	Integrated 256-KB Level 2 ECC	Network Controller	NC3163 Fast Ethernet NIC (embedded) PCI 10/100 WOL
Memory	PC133-MHz ECC Registered SDRAM DIMM	Storage Controller	Integrated Dual Channel Wide Ultra2 SCSI Adapter
Standard	128 MB	Internal Storage	218.4 GB max
Maximum	2 GB	Optical Drive	High Speed IDE CD-ROM Drive
Bundled with	12/24-GB DAT Tape Drive and VERITAS Backup Exec Quick Start Edition Software	Form Factor	Tower or optional 5U rack conversion kit

ML350T01 P600-256K
128MB 9.1GB NHP
116185-xx2

Note: Model not available in North America

Processor(s)	Intel Pentium III 600 MHz	Hard Drives	9.1 GB Wide Ultra2 (7200 rpm NHP)
Cache Memory	Integrated 256-KB Level 2 ECC	Network Controller	NC3163 Fast Ethernet NIC (embedded) PCI 10/100 WOL
Memory	PC133-MHz ECC Registered SDRAM DIMM	Storage Controller	Integrated Dual Channel Wide Ultra2 SCSI Adapter
Standard	128 MB	Internal Storage	218.4 GB max
Maximum	2 GB	Optical Drive	High Speed IDE CD-ROM Drive
		Form Factor	Tower or optional 5U rack conversion kit

QUICK SPECS

Compaq ProLiant ML350

Standard Features

ML350T01 P600-256K
128MB NHP
116185-xx1

Processor(s)	Intel Pentium III 600 MHz	Hard Drives	None
Cache Memory	Integrated 256-KB Level 2 ECC	Network Controller	NC3163 Fast Ethernet NIC (embedded) PCI 10/100 WOL
Memory	PC133-MHz ECC Registered SDRAM DIMM	Storage Controller	Integrated Dual Channel Wide Ultra2 SCSI Adapter
Standard	128 MB	Internal Storage	218.4 GB max
Maximum	2 GB	Optical Drive	High Speed IDE CD-ROM Drive
		Form Factor	Tower or optional 5U rack conversion kit

Country Code Key

XX=00	US
XX=01	Australia
XX=02	EURO
XX=03	UK
XX=04	German
XX=05	France
XX=08	Denmark
XX=29	Japan
XX=37	APD
XX=AA	PRC

Options

Processor

P933 Pentium III 256K Processor Option Kit	161086-B21
P866 Pentium III 256K Processor Option Kit	161085-B21
P800 Pentium III 256K Processor Option Kit	161084-B21
P733 Pentium III 256K Processor Option Kit	161083-B21
P667 Pentium III 256K Processor Option Kit	159756-B21
Note: This option kit is made available for those customers that have purchased a ProLiant ML350 667 MHz (667 MHz models are <i>only</i> available Direct or configured through the web from Compaq).	
P600 Pentium III 256K Processor Option Kit	128292-B21

Memory (DIMMs)

512-MB PC133MHz Registered ECC SDRAM DIMM Memory Option Kit	128279-B21
256-MB PC133MHz Registered ECC SDRAM DIMM Memory Option Kit	128278-B21
128-MB PC133MHz Registered ECC SDRAM DIMM Memory Option Kit	128277-B21
64-MB PC133MHz Registered ECC SDRAM DIMM Memory Option Kit	128276-B21

Optical Drives

DVD-ROM Drive Option Kit (Opal) (DVD-ROM Drive Option Kit only supported by Windows NT or Windows 2000 OS.)	388481-B21
DVD-ROM Drive Option Kit (Opal) (Japan) (DVD-ROM Drive Option Kit only supported by Windows NT or Windows 2000 OS.)	388481-291

Internal Storage

Compaq ProLiant ML350 Hot Plug Drive Cage Upgrade Option Kit (4 x 1")	161275-B21
Note: When upgrading a Non-Hot Plug Model to Hot Plug, the purchase of the Hot Plug Drive Cage Upgrade Option Kit (161275-B21) is required to support hot plug (Ultra2/Ultra3) hard drives.	

Hard Drives

Wide Ultra3 SCSI – Universal Hot Plug

36.4-GB Wide Ultra3 SCSI 10,000 rpm Drive (1")	176496-B22
18.2-GB Wide Ultra3 SCSI 10,000 rpm Drive (1")	142673-B22
9.1-GB Wide Ultra3 SCSI 10,000 rpm Drive (1")	142671-B22

Note: When upgrading a Non-Hot Plug Model to Hot Plug, the purchase of the Hot Plug Drive Cage Upgrade Option Kit (161275-B21) is required to support hot plug (Ultra2/Ultra3) hard drives.

Wide Ultra3 SCSI – Non-Hot Plug

36.4-GB Wide Ultra3 SCSI 10,000 rpm Drive (1")	176497-B21
18.2-GB Wide Ultra3 SCSI 10,000 rpm Drive (1")	142674-B21
9.1-GB Wide Ultra3 SCSI 10,000 rpm Drive (1")	142672-B21

Wide Ultra2 SCSI – Universal Hot Plug

18.2-GB Wide Ultra2 SCSI Drive (1")	388144-B22
9.1-GB Wide Ultra2 SCSI Drive (1")	123065-B22

Note: When upgrading a Non-Hot Plug Model to Hot Plug, the purchase of the Hot Plug Drive Cage Upgrade Option Kit (161275-B21) is required to support hot plug (Ultra2/Ultra3) hard drives.

Wide Ultra2 SCSI – Non-Hot Plug

18.2-GB Wide Ultra2 SCSI Drive (1")	388143-B21
9.1-GB Wide Ultra2 SCSI Drive (1")	349526-B21

Storage Controllers

Compaq RAID LC2 Controller	188044-B21
Compaq RAID LC2 Controller (Japan)	188044-291
Smart Array 431 Controller	127695-B21
Smart Array 431 Controller (Japan)	127695-291
Smart Array 3200 Controller	295643-B21
Smart Array 3200 Controller (Japan)	295643-291

Options

Storage Controllers *(continued)*

Smart Array 5302/32 Controller	166207-B21
Smart Array 5302/32 Controller (Japan)	166207-291
Smart Array 5302/64 Controller	124992-B21
Smart Array 5302/64 Controller (Japan)	124992-291
Ultra3 Channel Expansion Module for Smart Array 5300 Controller	153507-B21
64-Bit/66MHz Dual Channel Wide Ultra3 SCSI Adapter	129803-B21
64-Bit/66MHz Dual Channel Wide Ultra3 SCSI Adapter (Japan)	129803-291
64-Bit/66MHz Single Channel Wide Ultra3 SCSI Adapter	154457-B21
64-Bit/66MHz Single Channel Wide Ultra3 SCSI Adapter (Japan)	154457-291

Communications

Compaq NC3122 Dual Port Fast Ethernet NIC	317450-B21
Compaq NC3123 Fast Ethernet NIC PCI 10/100 WOL	174830-B21
Compaq NC3134 Fast Ethernet NIC 64 PCI Dual Port 10/100	138603-B21
Compaq NC3135 Fast Ethernet Module Dual 10/100 Upgrade Module for NC3134	138604-B21
Compaq NC6132 Gigabit Module 1000 SX Upgrade Module for NC3134 and NC3131	338456-B23
Compaq NC3133 Fast Ethernet Module 100FX Upgrade Module for NC3134 and NC3131	338456-B25
Compaq NC6134 Gigabit NIC 64 PCI 1000SX	174818-B21
Compaq NC4621 Token Ring NIC PCI WOL	379956-B21
IBM 16/4 Token Ring PCI Special	133749-B21

Internal Tape Drives

Note: In order to install certain tape drives internally, you may need to remove the rails that come standard on the drives and then re-insert the screws in the mounting holes.

Internal 20/40-GB DAT DDS-4 Tape Drive	157769-B21
Internal 12/24-GB DAT Drive (Opal)	295513-B22
Internal 12/24-GB DAT Drive (Opal) (Japan)	295513-292
Internal 4/8-GB DAT Drive (Opal)	295353-B22
Internal 4/8-GB DAT Drive (Opal) (Japan)	295353-292
Internal AIT 50-GB Tape Drive	157766-B21
Internal AIT 35-GB Tape Drive	388504-B21
20/40-GB DAT DDS-4 8 Cassette Autoloader, Internal	166504-B21
Internal 35/70-GB DLT Drive	242520-B21
Internal 35/70-GB DLT Drive (Japan)	242520-291
Internal 20/40-GB DLT Drive (Opal)	340743-B22
Internal 20/40-GB DLT Drive (Opal) (Japan)	340743-292
12.0-GB DDS-3 DAT Cassette (10 pack)	295515-B21
DAT Cleaning Cassette	242781-001
DDS-4 Media (10 pack)	152842-001
20/40-GB DAT DDS-4 8 Cassette Magazine with Media	171532-B21
AIT 50-GB Data Cassette (5 pack)	152841-001
AIT 35-GB Data Cassette (5 pack)	402371-B21
AIT Cleaning Cassette	402374-B21
DLT IV Data Cartridges (single pack)	295194-B21
DLT IV Data Cartridges (7 pack)	295192-B21
DLT Cleaning Cartridge	199704-001
DLT Magazine with five Type IV DLT Tapes	295168-B21

Note: Please see the Compaq 20/40-GB DAT Drive, Compaq 12/24-GB DAT Drive, Compaq 4/8-GB DAT Drive, Compaq AIT 50-GB Tape Drive, AIT 35-GB Tape Drive, Compaq 20/40-GB DAT DDS-4 8 Cassette Autoloader, Compaq 35/70-GB DLT Drive, or the Compaq 20/40-GB DLT Drive for an up-to-date listing of the latest O/S Support details, please see the following:

http://www.compaq.com/products/quickspecs/North_America/10233_na.html (North America)
http://www.compaq.com/products/quickspecs/Division/10233_div.html (Division/World Wide)

Options

Management Options

Compaq Remote Insight Lights-Out Edition (NA, LA)	157866-001
Compaq Remote Insight Lights-Out Edition (EURO)	157866-021
Compaq Remote Insight Lights-Out Edition (APD, Japan)	157866-371
Compaq Remote Insight (PCI) LAN + NA Modem	294013-002
Compaq Remote Insight (PCI) LAN + NA Modem (PAN EURO)	294013-B32
Compaq Remote Insight Board (PCI) LAN/Serial without modem	294013-B24
Compaq Remote Insight Board (PCI) LAN/Serial without modem (Japan)	294013-294
Compaq Remote Insight Board (PCI) LAN only	294013-B25
Compaq Remote Insight Board (PCI) LAN only (Japan)	294013-295

Monitors

TFT8020 18" Flat Panel Monitor (Opal)	326100-xxx
TFT8020 18" Flat Panel Monitor (Carbon)	159244-xxx
TFT8020 18" Flat Panel Monitor (Opal, bulked packed 2 monitor heads per box)	173610-xxx
TFT5010 15" Flat Panel Monitor (Opal)	104741-xxx
TFT5010 15" Flat Panel Monitor (Carbon)	154486-xxx
TFT5005 15" Flat Panel Monitor (Opal)	201431-xxx
TFT5005 15" Flat Panel Monitor (Carbon)	201430-xxx
P1100 Color Monitor	325606-xxx
P900 Color Monitor	386326-xxx
P700 Color Monitor	380207-xxx
V1100 Color Monitor	386472-xxx
V710 Color Monitor	187895-xxx
V500 Color Monitor	325900-xxx
S910 Color Monitor	138485-xxx
S710 Color Monitor	152991-xxx
S510 Color Monitor	168636-xxx

Options

CRT Country Code Key

NORTH AMERICA (NA) / LATIN AMERICA (LA)

Dash #	Description		
		-201	EH model for Brazil (older Brazil models used -B29)
-001	NA Kit with US Power Cord	-202	EH model for Brazil Carbon (older Brazil models used -B29)
-002	Carbon model with US Power Cord	-C91	EH model for Mercosur countries
-003	Touch Screen model with US Power Cord	-C92	EH model for Mercosur countries Carbon
-004	NAFTA model with US Power Cord (Made in Mexico)	-B29	EH / ALADI model for Latin America
-005	NA Kit with Powered Speakers		
-006	GSA model with US Power Cord		
-007	NH MPR model with US power cord (Made in Mexico)		
-B24	TCO model without power cord (Digital Classic)		

Note: All NA/LA models above are NH

EUROPE, MIDDLE EAST AND AFRICA (EMEA)

Dash #	Description		
-021	NH / TCO with Eurocord (DCE Hub)	-031	NH / TCO with UK Cord (UK Hub)
-022	NH / MPR with Eurocord (DCE Hub) (India)	-032	NH / MPR with UK Cord (UK Hub)
-023	NH Carbon model with Eurocord (DCE Hub)	-033	NH / TCO carbon with UK Cord
-024	NH Touch Screen model with Eurocord (DCE Hub)	-035	NH Kit with Speakers and UK Cord
-025	NH Kit with Speakers and Eurocord	-B21	SH / MPR without power cord (S. Africa Hub)
-A91	NH / TCO without power cord (Dubai hub)	-B23	SH / TCO without power cord (S. Africa Hub)
-A92	NH / MPR without power cord (Dubai hub)	-B27	SH / TCO Carbon without power cord (S. Africa Hub)

PACIFIC / AUSTRALIA (APD)

Dash #	Description		
-B22	NH / MPR without power cord	-012	SH Carbon model with AUZ/NZ power cord
-B24	NH / TCO without power cord	-AD1	NH model for Korea
-B25	EH Carbon model without power cord	-AD2	NH Carbon model for Korea
-B26	NH Touch Screen model without power cord	-B28	EH model without power cord
-011	SH model with AUZ/NZ power cord	-B35	EH model with speakers no power cord (Singapore)
-015	SH model with speakers AUZ/NZ power cord		

GREATER CHINA (GCD)

Dash #	Description		
-AA1	NH / China Kit with CCIB label (Local Sales)	-KA1	NH / China Kit with CCIB label (External Sales/Bundles in HK)
-AA2	NH/ Carbon China Kit with CCIB label (Local Sales)	-AB1	NH / Taiwan kit, mfg. in Taiwan

JAPAN (CKK)

Dash #	Description		
-291	NH / Japan Kit with 3-2 pin adapter	-292	NH Carbon Japan Kit with 3-2 pin adapter

Options

TFT Country Code Key

EUROPE, MIDDLE EAST & AFRICA (EMEA)

Dash #	Description		
-AA1	NH / China Kit with CCIB label (Local Sales)	-KA1	NH / China Kit with CCIB label (External Sales/Bundles in HK)
-AA2	NH/ Carbon China Kit with CCIB label (Local Sales)	-AB1	NH / Taiwan kit, mfg. in Taiwan

NORTH AMERICA

Dash #	Description		
-001	NA	-B24	All NA/LA models

APD

Dash #	Description
-011	Australia/NZ

JAPAN (CKK)

Dash #	Description
-291	Japan

External Tape Drives

External 20/40-GB DAT DDS-4 Tape Drive	157770-001
External 20/40-GB DAT DDS-4 Tape Drive (Int'l)	157770-B31
External 20/40-GB DAT DDS-4 Tape Drive (Japan)	157770-291
External AIT 50-GB Tape Drive	157767-001
External AIT 50-GB Tape Drive (Int'l)	157767-B31
External AIT 50-GB Tape Drive (Japan)	157767-291
External AIT 35-GB Tape Drive	388507-001
External AIT 35-GB Tape Drive (Int'l)	388507-B31
External AIT 35-GB Tape Drive (Japan)	388507-291
20/40-GB DAT 8 Cassette Autoloader External	166505-001
20/40-GB DAT 8 Cassette Autoloader External (Int'l)	166505-B31
20/40-GB DAT 8 Cassette Autoloader External (Japan)	166505-291
External 35/70-GB DLT Drive	242521-B21
External 35/70-GB DLT Drive (Japan)	242521-291
External 20/40-GB DLT Drive (Opal)	340744-B22
External 20/40-GB DLT Drive (Opal) (Japan)	340744-292
12.0-GB DDS-3 DAT Cassette (10 pack)	295515-B21
DAT Cleaning Cassette	242781-001
DDS-4 Media (10 pack)	152842-001
20/40-GB DAT 8 Cassette Magazine with Media	171532-B21
AIT 50-GB Data Cassette (5 pack)	152841-001
AIT 35-GB Data Cassette (5 pack)	402371-B21
AIT Cleaning Cassette	402374-B21
DLT IV Data Cartridges (single pack)	295194-B21
DLT IV Data Cartridges (7 pack)	295192-B21
DLT Cleaning Cartridge	199704-001
DLT Magazine with five Type IV DLT Tapes	295168-B21

Options

External Tape Drives *(continued)*

Note: Please see the Compaq 20/40-GB DAT Drive, Compaq AIT 50-GB Tape Drive, Compaq AIT 35-GB Tape Drive, Compaq 20/40-GB DAT DDS-4 8 Cassette Autoloader, Compaq 35/70-GB DLT Drive, or the Compaq 20/40-GB DLT Drive for an up-to-date listing of the latest O/S Support details, please see the following:

http://www.compaq.com/products/quickspecs/North_America/10233_na.html (North America)

http://www.compaq.com/products/quickspecs/Division/10233_div.html (Division/World Wide)

External Storage - Tower

Compaq StorageWorks Enclosure Model 4214T (tower)	124875-001
Compaq StorageWorks Enclosure Model 4214T (tower) (Int'l)	124875-B31
Compaq StorageWorks Enclosure Model 4214T (tower) (Japan)	124875-291
Compaq StorageWorks Enclosure Model 4314T (tower)	190210-001
Compaq StorageWorks Enclosure Model 4314T (tower) (Int'l)	190210-B31
Compaq StorageWorks Enclosure Model 4314T (tower) (Japan)	190210-291

Note: The Compaq StorageWorks Enclosure 4200/4300 Family support the Wide Ultra2/Ultra3 1" Hot Plug Hard Drives.

SCSI Storage Expander II	332609-001
SCSI Storage Expander II (Int'l)	332609-B21
SCSI Storage Expander II (Japan)	332609-291
ProLiant Storage System Tower Model UE	348710-002
ProLiant Storage System Tower Model UE (Int'l)	348710-B32
ProLiant Storage System Tower Model UE (Japan)	348710-292
ProLiant Storage System Tower Model U2	304110-B22
ProLiant Storage System Tower Model U2 (Int'l)	304114-B32
ProLiant Storage System Tower Model U2 (Japan)	304114-292

Note: The Compaq ProLiant Storage System Models UE and U2 support the Wide-Ultra SCSI-3 Drives.

StorageWorks Enclosure 4200 Redundant Power Supply Option	119826-B21
StorageWorks Enclosure 4200 Ultra2 Dual Bus I/O Module Option	119829-B21
StorageWorks Enclosure 4200 Ultra3 Single Bus I/O Module Option	190212-B21
StorageWorks Enclosure 4200 Ultra3 Dual Bus I/O Module Option	190213-B21
StorageWorks Enclosure Tower to Rack Conversion Kit	150213-B21
ProLiant Storage System/U Redundant Power Supply Option	224206-001
ProLiant Storage System /U Redundant Power Supply (Int'l)	224214-001

StorageWorks DLT Department Library

TL891 DLT library unit, 1 drive Table Top, FWD	120875-B21
TL891 DLT library unit, 2 drive Table Top, FWD	120875-B22
TL891 DLT library unit, 1 drive Rack, FWD	120876-B21
TL891 DLT library unit, 2 drive Rack, FWD	120876-B22
TL881 DLT library unit, 1 drive Table Top, FWD	128667-B21
TL881 DLT library unit, 2 drive Table Top, FWD	128667-B22
TL881 DLT library unit 1 drive Table Top, FWSE	128688-B21
TL881 DLT library unit 2 drive Table Top, FWSE	128688-B22
TL881 DLT library unit, 1 drive Rack, FWD	128669-B21
TL881 DLT library unit, 2 drive Rack, FWD	128669-B22
Add-On 20/40-GB Drive for TL881	128671-B21
Add-On 35/70-GB Drive for TL891	120878-B21
MiniLibrary Data Unit	128670-B21
MiniLibrary Expansion Unit	120877-B21
StorageWorks Dual Channel Ultra-Wide Differential Library Host Bus Adapter	157229-B21

Note: The StorageWorks Dual Channel Ultra-Wide Differential Library Host Bus Adapter is required to support FWD-based tape libraries.

DLT IV Data Cartridges (single pack)	295194-B21
DLT IV Data Cartridges (7 pack)	295192-B21
DLT Cleaning Cartridge	199704-001

Options

StorageWorks DLT Department Library *(continued)*

MiniLibrary pass-through Mechanism Kit	120880-B21
10 Slot Magazine	120881-B21
MiniLibrary Table Top to Rack Mount Conversion Kit, Metric/RETMA racks	120882-B21
MiniLibrary Table Top to Rack Mount Conversion Kit, Compaq racks	120883-B21

Note: Please see the TL881 or TL891 Automated DLT Tape Library Solution QuickSpecs for additional information including Upgrade Kits, Accessories, ProLiant Connectivity Kits, Host Bus Adapters, SCSI Cable Kits, and Localization Kits and additional options needed for a complete solution at:
http://www.compaq.com/products/quickspecs/North_America/10233_na.html or
http://www.compaq.com/products/quickspecs/Division/10233_div.html.

Uninterruptible Power Supply - Tower

Compaq Pro UPS 500 (300 Watt) 120V (NA)	136386-001
Compaq Pro UPS 500 (300 Watt) 120V (Int'l)	136386-B31
Compaq Pro UPS 500 (300 Watt) 120V (Japan)	136386-291
UPS Model T700 (100-127 Volt/700 Volt Amp)	295372-B21
UPS Model T700h (208-240 VAC) (Int'l)	295372-B22
UPS Model T700j (100-127 Volt/700 Volt Amp) (Japan)	295372-291
UPS Model T1000 (100-127 Volt/1000 Volt Amp)	242688-001
UPS Model T1000h (208-240 Volt/1000 Volt Amp) (Int'l)	242688-002
UPS Model T1500 (100-127 Volt/1440 Volt Amp)	242688-003
UPS Model T1500h (208-240 Volt/1440 Volt Amp) (Int'l)	242688-004
UPS Model T1500j (100-127 Volt/1440 Volt Amp) (Japan)	242688-293
UPS Model T2000 (100-127 Volt/1920 Volt Amp)	242688-005
UPS Model T2000j (100-127 Volt/1920 Volt Amp) (Japan)	242688-295
Multi-Server UPS Card (Not available for UPS T700 or UPS 500.)	123508-B21
Scalable UPS Card (Not available for UPS T700 or UPS 500.)	123509-B21
SNMP-EN Adapter (Not available for UPS T700 or UPS 500.)	347225-B21
High to Low Voltage Transformer (250VA)	388643-B21

Rack Conversion Kit

Compaq ProLiant ML350 Tower to Rack Conversion Kit	158438-B21
--	------------

Other

Internal Wide Ultra3 Cable Option Kit, NHP	166389-B21
Internal Ultra3 Cable Option Kit	166390-B21
ProLiant ML350 Internal to External SCSI Cable Option Kit	159547-B21

Options

Service Upgrades (CarePacs)

Hardware Services 4-Hour On-site Service

4-Hour On-site Service, 9-Hour x 5-Day Coverage, 3 Years (2-5-2 Part Number for US)	FM-EL4HR-36
4-Hour On-site Service, 9-Hour x 5-Day Coverage, 3 Years (2-5-2 Part Number for Canada)	FP-EL4HR-36
4-Hour On-site Service, 9-Hour x 5-Day Coverage, 3 Years (6-3 Part Number for US)	162676-002
4-Hour On-site Service, 9-Hour x 5-Day Coverage, 3 Years (6-3 Part Number for Canada)	162676-122
4-Hour On-site Service, 9-Hour x 5-Day Coverage, 3 Years (6-3 Part Number for EMEA)	324416-002
4-Hour On-site Service, 24-Hour x 7-Day Coverage, 3 Years (2-5-2 Part Number for US)	FM-EL724-36
4-Hour On-site Service, 24-Hour x 7-Day Coverage, 3 Years (2-5-2 Part Number for Canada)	FP-EL724-36
4-Hour On-site Service, 24-Hour x 7-Day Coverage, 3 Years (6-3 Part Number for US)	162675-002
4-Hour On-site Service, 24-Hour x 7-Day Coverage, 3 Years (6-3 Part Number for Canada)	162675-122
4-Hour On-site Service, 24-Hour x 7-Day Coverage, 3 Years (6-3 Part Number for EMEA)	376910-022

Installation & Start-up Services

Hardware Installation (2-5-2 Part Number for US)	FM-ELINS-IN
Hardware Installation (2-5-2 Part Number for Canada)	FP-ELINS-IN
Hardware Installation (6-3 Part Number for US)	401791-002
Hardware Installation (6-3 Part Number for Canada)	401791-122
Hardware Installation (6-3 Part Number for US)	Quote
O/S & Hardware Installation (2-5-2 Part Number for US) (Hardware installation plus two days O/S start-up activity (installation, configuration, network access & orientation.))	FP-CXHSI-01
O/S & Hardware Installation (6-3 Part Number for US) (Hardware installation plus two days O/S start-up activity (installation, configuration, network access & orientation.))	160555-002
O/S & Hardware Installation (6-3 Part Number for EMEA) (Hardware installation plus two days O/S start-up activity (installation, configuration, network access & orientation.))	Quote

Business Solutions Priority Service Plan – Priority Level

5 x 9 4-hour H/W, 5 x 9 2-hour O/S (NT & NetWare), Three Years (2-5-2 Part Number for US)	FP-CX101-36
5 x 9 4-hour H/W, 5 x 9 2-hour O/S (NT & NetWare), Three Years (2-5-2 Part Number for Canada)	FP-CZ101-36
5 x 9 4-hour H/W, 5 x 9 2-hour O/S (NT & NetWare), Three Years (6-3 Part Number for US)	155323-002
5 x 9 4-hour H/W, 5 x 9 2-hour O/S (NT & NetWare), Three Years (6-3 Part Number for Canada)	155323-122
5 x 9 4-hour H/W, 5 x 9 2-hour O/S (NT & NetWare), Three Years (6-3 Part Number for EMEA)	179834-022

Business Solutions Priority Service Plan – Priority 24 Level

7 x 24 4-hour H/W, 7 x 24 2-hour O/S (NT & NetWare), Three years (2-5-2 Part Number for US)	FP-CX201-36
7 x 24 4-hour H/W, 7 x 24 2-hour O/S (NT & NetWare), Three years (6-3 Part Number for US)	155327-002
7 x 24 4-hour H/W, 7 x 24 2-hour O/S (NT & NetWare), Three years (6-3 Part Number for EMEA)	179839-022

Business Solutions Priority Service Plan – Priority Plus Level

7 x 24 4-hour H/W, 7 x 24 1-hour O/S (NT & NetWare), SPS account review, Three Years (2-5-2 Part Number for US)	FP-CX301-36
7 x 24 4-hour H/W, 7 x 24 1-hour O/S (NT & NetWare), SPS account review, Three Years (2-5-2 Part Number for Canada)	FP-CZ301-36
7 x 24 4-hour H/W, 7 x 24 1-hour O/S (NT & NetWare), SPS account review, Three Years (6-3 Part Number for US)	155331-002
7 x 24 4-hour H/W, 7 x 24 1-hour O/S (NT & NetWare), SPS account review, Three Years (6-3 Part Number for Canada)	155331-122

Options

Service Upgrades (CarePacs) *(continued)*

Business Solutions Priority Service Plan – Priority Premier Level

7 x 24 2-hour H/W, 7 x 24 1-hour O/S (NT & NetWare), SPS Account Review, Proactive Management Review, named S/w rep, Three Years (2-5-2 Part Number for US)	FP-CX501-36
7 x 24 2-hour H/W, 7 x 24 1-hour O/S (NT & NetWare), SPS Account Review, Proactive Management Review, named S/w rep, Three Years (2-5-2 Part Number for Canada)	FP-CZ501-36
7 x 24 2-hour H/W, 7 x 24 1-hour O/S (NT & NetWare), SPS Account Review, Proactive Management Review, named S/w rep, Three Years (6-3 Part Number for US)	155335-002
7 x 24 2-hour H/W, 7 x 24 1-hour O/S (NT & NetWare), SPS Account Review, Proactive Management Review, named S/w rep, Three Years (6-3 Part Number for Canada)	155335-122

Business Solutions Priority Service Plan – Priority Executive Premier Level

7 x 24 2-hour H/W, 7 x 24 30-minute O/S (NT & NetWare), SPS Account Review, Proactive Management Review, named S/w rep, Three Years (2-5-2 Part Number for US)	FP-CX701-36
7 x 24 2-hour H/W, 7 x 24 30-minute O/S (NT & NetWare), SPS Account Review, Proactive Management Review, named S/w rep, Three Years (2-5-2 Part Number for Canada)	FP-CZ701-36
7 x 24 2-hour H/W, 7 x 24 30-minute O/S (NT & NetWare), SPS Account Review, Proactive Management Review, named S/w rep, Three Years (6-3 Part Number for US)	155339-002
7 x 24 2-hour H/W, 7 x 24 30-minute O/S (NT & NetWare), SPS Account Review, Proactive Management Review, named S/w rep, Three Years (6-3 Part Number for Canada)	155339-122

Note: For more information, customer/resellers can contact www.Compaq.com/services.

Memory

Compaq ProLiant ML350 All Models

STANDARD MEMORY

128-MB PC133-MHz Registered ECC SDRAM DIMM installed (1 x 128-MB SDRAM DIMM)

Standard	Slot			
	1	2	3	4
128 MB	128 MB	Empty	Empty	Empty

STANDARD MEMORY PLUS

OPTIONAL MEMORY

Up to 1664-MB memory is available with the optional installation of PC133-MHz Registered ECC SDRAM DIMM memory kits.

Up to	Slot			
	1	2	3	4
1664 MB	128 MB	512 MB	512 MB	512 MB

STANDARD MEMORY REPLACED

WITH OPTIONAL MEMORY

Up to 2048 MB of memory is available with the removal of the standard 128-MB of memory and the optional installation of PC133-MHz Registered ECC SDRAM DIMM memory kits.

Up to	Slot			
	1	2	3	4
2048 MB	512 MB	512 MB	512 MB	512 MB

Note: Charts do not represent all possible memory configurations.

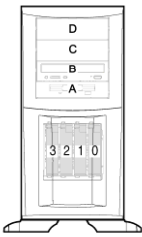
Following are memory options available from Compaq:

- 512-MB PC133-MHz Registered ECC SDRAM DIMM Memory Option Kit 128279-B21
- 256-MB PC133-MHz Registered ECC SDRAM DIMM Memory Option Kit 128278-B21
- 128-MB PC133-MHz Registered ECC SDRAM DIMM Memory Option Kit 128277-B21
- 64-MB PC133-MHz Registered ECC SDRAM DIMM Memory Option Kit 128276-B21

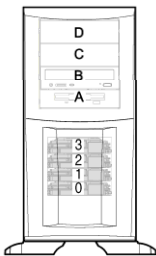
Storage

DRIVE SUPPORT

	Quantity Supported	Position Supported	Controller
Removable Media			
1.44-MB Diskette Drive	Up to 1	A	Integrated
IDE CD-ROM Drive	Up to 2	B,C	Integrated IDE
DVD-ROM Drive Option Kit	Up to 2	B,C	Integrated IDE
Hard Drives			
Wide Ultra2 Hot Pluggable Drives			
1-inch	Up to 4	0-3	Integrated Dual Channel Wide Ultra2 SCSI Adapter
18.2-GB			Compaq RAID LC2 Controller
9.1-GB			Smart Array 431 Controller
			Smart Array 3200 Controller
			Smart Array 5300 Controller
			64-Bit/66MHz Dual Channel Wide Ultra3 SCSI Adapter
			64-Bit/66MHz Single Channel Wide Ultra3 SCSI Adapter
Wide Ultra2 SCSI – Non-Hot Plug			
1-inch	Up to 4	0-3	Integrated Dual Channel Wide Ultra2 SCSI Adapter
18.2-GB	Up to 6	0-3 & C, D	Compaq RAID LC2 Controller
9.1-GB			Smart Array 431 Controller
			Smart Array 3200 Controller
			Smart Array 5300 Controller
			64-Bit/66MHz Dual Channel Wide Ultra3 SCSI Adapter
			64-Bit/66MHz Single Channel Wide Ultra3 SCSI Adapter
Wide Ultra3 Hot Pluggable Drives			
1-inch	Up to 4	0-3	Integrated Dual Channel Wide Ultra2 SCSI Adapter
36.4-GB 10,000 rpm			Compaq RAID LC2 Controller
18.2-GB 10,000 rpm			Smart Array 431 Controller
9.1-GB 10,000 rpm			Smart Array 3200 Controller
			Smart Array 5300 Controller
			64-Bit/66MHz Dual Channel Wide Ultra3 SCSI Adapter
			64-Bit/66MHz Single Channel Wide Ultra3 SCSI Adapter
Wide Ultra3 SCSI – Non-Hot Plug			
1-inch	Up to 4	0-3	Integrated Dual Channel Wide Ultra2 SCSI Adapter
36.4-GB 10,000 rpm	Up to 6	0-3 & C, D	Compaq RAID LC2 Controller
18.2-GB 10,000 rpm			Smart Array 431 Controller
9.1-GB 10,000 rpm			Smart Array 3200 Controller
			Smart Array 5300 Controller
			64-Bit/66MHz Dual Channel Wide Ultra3 SCSI Adapter
			64-Bit/66MHz Single Channel Wide Ultra3 SCSI Adapter



Non-Hot Plug Drive Cage



Hot Plug Drive Cage

- 0, 1, 4 x 1" SCSI Hard Drive
- 2, 3 Bays
- A 3.5 in. Diskette Drive
- B High Speed CD-ROM
- C, D Available half-height bay

Storage

DRIVE SUPPORT *(continued)*

	Quantity Supported	Position Supported	Controller
External Storage			
StorageWorks Enclosure 4200/4300 Family (supports Wide Ultra2/Ultra3 1" drives)	Up to 7	External	Integrated Dual Channel Wide Ultra2 SCSI Adapter Smart Array 431 Controller Smart Array 3200 Controller Smart Array 5300 Controller 64-Bit/66MHz Dual Channel Wide Ultra3 SCSI Adapter 64-Bit/66MHz Single Channel Wide Ultra3 SCSI Adapter
ProLiant Storage System Models U2 ProLiant Storage System Models UE (supports Wide-Ultra SCSI-3 drives)	Up to 7	External	Integrated Dual Channel Wide Ultra2 SCSI Adapter Smart Array 3200 Controller Smart Array 5300 Controller 64-Bit/66MHz Dual Channel Wide Ultra3 SCSI Adapter 64-Bit/66MHz Single Channel Wide Ultra3 SCSI Adapter
SCSI Storage Expander II	Up to 3	External	Integrated Dual Channel Wide Ultra2 SCSI Adapter Smart Array 3200 Controller Smart Array 5300 Controller 64-Bit/66MHz Dual Channel Wide Ultra3 SCSI Adapter 64-Bit/66MHz Single Channel Wide Ultra3 SCSI Adapter
Maximum Storage Capacity – (SCSI Attached)			
Internal	145.6 GB (4 x 36.4 GB hard drives)		
External	3.057 TB (12 x 36.4 GB) x 7		
Total	3.203 TB		
Maximum Storage Capacity – (SCSI Attached)			

Storage

DRIVE SUPPORT *(continued)*

	Quantity Supported	Position Supported	Controller
Tape Drives			
Internal	218.4 GB (4 x 36.4 GB + 2 x 36.4 GB hard drives)		
External	3.057 TB (12 x 36.4 GB) x 7		
Total	3.276 TB		
<p>Note: For an up-to-date listing of the latest O/S Support details for each of the Tape Drives listed below, please see the following:</p> <p>http://www.compaq.com/products/quickspecs/North_America/10233_na.html (North America)</p> <p>http://www.compaq.com/products/quickspecs/Division/10233_div.html (Division/World Wide)</p>			
20/40-GB DAT DDS-4 Tape Drive	Up to 2	C	Integrated Dual Channel Wide Ultra2 SCSI Adapter
Internal 12/24-GB DAT Drive			64-Bit/66MHz Dual Channel Wide Ultra3 SCSI Adapter
Internal 4/8-GB DAT			64-Bit/66MHz Single Channel Wide Ultra3 SCSI Adapter
20/40-GB DAT DDS-4 8 Cassette Autoloader	Up to 2	C	Integrated Dual Channel Wide Ultra2 SCSI Adapter 64-Bit/66MHz Dual Channel Wide Ultra3 SCSI Adapter
			64-Bit/66MHz Single Channel Wide Ultra3 SCSI Adapter
Internal 35/70-GB DLT	Up to 1	C	Integrated Dual Channel Wide Ultra2 SCSI Adapter
Internal 20/40-GB DLT			64-Bit/66MHz Dual Channel Wide Ultra3 SCSI Adapter
			64-Bit/66MHz Single Channel Wide Ultra3 SCSI Adapter
AIT 50 GB Internal	Up to 1	C	Integrated Dual Channel Wide Ultra2 SCSI Adapter
AIT 35 GB Internal			64-Bit/66MHz Dual Channel Wide Ultra3 SCSI Adapter
			64-Bit/66MHz Single Channel Wide Ultra3 SCSI Adapter
AIT 50 GB External	2	External	Integrated Dual Channel Wide Ultra2 SCSI Adapter
AIT 35 GB External			64-Bit/66MHz Dual Channel Wide Ultra3 SCSI Adapter
			64-Bit/66MHz Single Channel Wide Ultra3 SCSI Adapter
External 35/70-GB DLT	Up to 3	External	Integrated Dual Channel Wide Ultra2 SCSI Adapter
External 20/40-GB DLT			64-Bit/66MHz Dual Channel Wide Ultra3 SCSI Adapter
			64-Bit/66MHz Single Channel Wide Ultra3 SCSI Adapter
TL891 DLT Library (1 – 2 Drive)	2 drives per SCSI channel	External	StorageWorks Dual Channel Ultra-Wide Differential Library HBA
TL881 DLT Library (1 – 2 Drive)			

Technical Specifications

System Unit

Dimensions (HxWxD) (with feet/bezel)	18.5 x 10.5 x 26 in / 46.99 x 26.67 x 66.04 cm	
Dimensions (HxWxD) (without feet/bezel)	17.5 x 10.5 x 24 in / 44.45 x 21.59 x 60.96 cm	
Weight (approximate)	60 lbs / 27.24 kg (without hard drives)	
Input Requirements (per power supply)		
Range Line Voltage	90 to 132 VAC/180 to 264 VAC	
Nominal Line Voltage	100 to 120 VAC/200 to 240 VAC	
Line Frequency	50 to 60 Hz	
Rated Input Current	6A / 3A	
BTU Rating	1,560 BTU	
SCSI Connectors	Two internal HD68 Connectors (Support for either two internal, two external, or a mix of internal/external is available. This is achieved using an internal to external SCSI cable option kit (159547-B21) and either of the two SCSI knockouts.)	
Power Supply Output Power		
Rated Steady State Power	300W	
Maximum Peak Power	400W	
Temperature Range		
Operating	10° to 35°C (No direct sustaining sunlight) Altitude range derating: 1°C per 300m up to 3000m	
Storage (up to one year)	-20° to 60°C	
Altitudes up to 3000m		
Shipping (up to 72 hours)	-40° to 60°C	
Altitudes up to 9100m		
Relative Humidity (non-condensing)		
Operating	20% to 80%	
Non-operating	5% to 90%	
Acoustic Noise	L_{wAd} (BELS)	L_{pAm} (dBA)
IDLE (Fixed Disk Drives Spinning)	6.2	45
OPERATING (Random Seeks to Fixed Disks)	6.8	49

1.44-MB Diskette Drive

Diskette Size	3.5 in
LED Indicators (front panel)	Green
Read/Write Capacity per Diskette (high/low density)	1.44 MB/720 KB
Drive Supported	One
Drive Height	One-third
Drive Rotation	300 rpm
Transfer Rate (high/low)	500/250 Kb/s
Bytes/Sector	512
Sectors/Track (high/low)	18/9
Tracks/Side (high/low)	80/80
Access Times	
Track-to-Track (high/low)	3/6 ms
Average (high/low)	169/94 ms
Settling Time	15 ms
Latency Average	100 ms
Cylinders (high/low)	80/80
Read/Write Heads	Two

QUICK SPECS

Compaq ProLiant ML350

Technical Specifications

Hot Plug
Wide Ultra2 SCSI
Hard Drives

18.2 GB	Capacity	18209.3 MB	Seek Time (typical reads, including settling)	
	Height	1 in/25.4 mm	Single Track	0.8 ms
	Width	3.5 in/88.9 mm	Average	7.0 ms
	Interface	Wide Ultra2 SCSI	Full-Stroke	15 ms
	Transfer Rate		Rotational Speed	7200 rpm
	Synchronous (Maximum)	80 MB/s	Physical Configuration	
			Bytes/Sector	512
			Logical Blocks	35,565,080
			Operating Temperature	50° to 95°F/10° to 35°C

9.1 GB	Capacity	9100.0 MB	Seek Time (typical reads, including settling)	
	Height	1 in/25.4 mm	Single Track	0.8 ms
	Width	3.5 in/88.9 mm	Average	7.0 ms
	Interface	Wide Ultra2 SCSI	Full-Stroke	15 ms
	Transfer Rate		Rotational Speed	7200 rpm
	Synchronous (Maximum)	80 MB/s	Physical Configuration	
			Bytes/Sector	512
			Logical Blocks	17,773,524
			Operating Temperature	50° to 95°F/10° to 35°C

Non-Hot Plug
Wide Ultra2 SCSI
Hard Drives

18.2 GB	Capacity	18209.3 MB	Seek Time (typical reads, including settling)	
	Height	1 in/25.4 mm	Single Track	0.8 ms
	Width	3.5 in/88.9 mm	Average	7.0 ms
	Interface	Wide Ultra2 SCSI	Full-Stroke	15 ms
	Transfer Rate		Rotational Speed	7200 rpm
	Synchronous (Maximum)	80 MB/s	Physical Configuration	
			Bytes/Sector	512
			Logical Blocks	35,565,080
			Operating Temperature	50° to 95°F/10° to 35°C

9.1 GB	Capacity	9100.0 MB	Seek Time (typical reads, including settling)	
	Height	1 in/25.4 mm	Single Track	0.8 ms
	Width	3.5 in/88.9 mm	Average	7.1 ms
	Interface	Wide Ultra2 SCSI	Full-Stroke	16 ms
	Transfer Rate		Rotational Speed	7200 rpm
	Synchronous (Maximum)	80 MB/s	Physical Configuration	
			Bytes/Sector	512
			Logical Blocks	17,773,524
			Operating Temperature	50° to 95°F/10° to 35°C

QUICK SPECS

Compaq ProLiant ML350

Technical Specifications

Hot Plug
Wide Ultra3 SCSI
Hard Drives

36.4 GB 10K	Capacity	36400 MB	Seek Time (typical reads, including settling)	
	Height	1 in/25.4 mm	Single Track	0.8 ms
	Width	3.5 in/88.9 mm	Average	5.2 ms
	Interface	Wide Ultra3 SCSI	Full-Stroke	12 ms
	Transfer Rate		Rotational Speed	10,000 rpm
	Synchronous (Maximum)	160 MB/s	Physical Configuration	
			Bytes/Sector	512
			Logical Blocks	71,132,000
			Operating Temperature 50° to 95°F/10° to 35°C	
	18.2 GB 10K	Capacity	18209.3 MB	Seek Time (typical reads, including settling)
Height		1 in/25.4 mm	Single Track	0.8 ms
Width		3.5 in/88.9 mm	Average	5.2 ms
Interface		Wide Ultra3 SCSI	Full-Stroke	12 ms
Transfer Rate			Rotational Speed	10,000 rpm
Synchronous (Maximum)		160 MB/s	Physical Configuration	
			Bytes/Sector	512
			Logical Blocks	35,565,080
			Operating Temperature 50° to 95°F/10° to 35°C	
9.1 GB 10K		Capacity	9100.0 MB	Seek Time (typical reads, including settling)
	Height	1 in/25.4 mm	Single Track	0.8 ms
	Width	3.5 in/88.9 mm	Average	5.0 ms
	Interface	Wide Ultra3 SCSI	Full-Stroke	12 ms
	Transfer Rate		Rotational Speed	10,000 rpm
	Synchronous (Maximum)	160 MB/s	Physical Configuration	
			Bytes/Sector	512
			Logical Blocks	17,773,524
			Operating Temperature 50° to 95°F/10° to 35°C	

QUICK SPECS

Compaq ProLiant ML350

Technical Specifications

Non-Hot Plug
Wide Ultra3 SCSI
Hard Drives

36.4 GB 10K	Capacity	36419.5 MB	Seek Time (typical reads, including settling)	
	Height	1 in/25.4 mm	Single Track	0.8 ms
	Width	3.5 in/88.9 mm	Average	5.7 ms
	Interface	Wide Ultra3 SCSI	Full-Stroke	13 ms
	Transfer Rate		Rotational Speed	10,000 rpm
	Synchronous (Maximum)	160 MB/s	Physical Configuration	
			Bytes/Sector	512
			Logical Blocks	71,132,000
			Operating Temperature 50° to 95°F/10° to 35°C	
	<hr/>			
18.2 GB 10K	Capacity	18209.3 MB	Seek Time (typical reads, including settling)	
	Height	1 in/25.4 mm	Single Track	0.8 ms
	Width	3.5 in/88.9 mm	Average	5.5 ms
	Interface	Wide Ultra3 SCSI	Full-Stroke	12 ms
	Transfer Rate		Rotational Speed	10,000 rpm
	Synchronous (Maximum)	160 MB/s	Physical Configuration	
			Bytes/Sector	512
			Logical Blocks	35,565,080
			Operating Temperature 50° to 95°F/10° to 35°C	
	<hr/>			
9.1 GB 10K	Capacity	9100.0 MB	Seek Time (typical reads, including settling)	
	Height	1 in/25.4 mm	Single Track	0.8 ms
	Width	3.5 in/88.9 mm	Average	5.0 ms
	Interface	Wide Ultra3 SCSI	Full-Stroke	12 ms
	Transfer Rate		Rotational Speed	10,000 rpm
	Synchronous (Maximum)	160 MB/s	Physical Configuration	
			Bytes/Sector	512
			Logical Blocks	17,773,524
			Operating Temperature 50° to 95°F/10° to 35°C	

Technical Specifications

40X Max IDE CD-ROM Drive

Disk	
Applicable Disk	CD-ROM, CD-XA, CD-DA (Mode 1, Mode 2, Form 1 and 2) Photo CD (Single and Multi-session) Mixed Mode (Audio and Data combined) CD-R
Capacity	540 MB (Mode 1, 12 cm) 650 MB (Mode 2, 12 cm)
Block Size	
Mode 1	2,048 bytes
Mode 2	2,340 bytes, 2,336 bytes
CD-DA	2,352 bytes
CD-XA	2,328 bytes
Interface	IDE (ATAPI)
Access Times (typical)	
Random	100 ms
Full-Stroke	150 ms
Audio Output Level	
Line-Out	0.7 VRMS at 47 kOhms
Data Transfer Rate	
Sustained	150 KB/s (1X audio)
Burst	16.67 Mbytes/sec
Cache Buffer	128 KB
Start-up Time (typical)	< 7 seconds
Stop Time	< 4 seconds
Laser Parameters	
Type	Semiconductor Laser GaAlAs
Wave Length	780 ± 25 nm
Operating Conditions	
Temperature	41° to 113°F/5° to 45°C
Humidity	10% to 80%
Dimensions	
(HxWxD, maximum)	1.7 x 5.85 x 8.11 in/4.29 x 150 x 208 cm
Weight	2.09 lbs/0.95 kg

Technical Specifications

32X Max IDE CD-ROM Drive

Disk	
Applicable Disk	CD-ROM (Mode 1 and 2), CD-DA, CD-XA (Mode 2, Form 1 and 2), CD-I ready, Photo CD (Single and Multi-session), Mixed Mode (Audio and Data combined), CD-WO
Capacity	650 MB
Block Size	2,048, 1,024 bytes (Mode 1), 2,340, 2,336, 1,024 bytes (Mode 2), 2,352 bytes (CD-DA), 2,328 bytes (CD-XA)
Rotational Speed	5,200 rpm
Diameter	4.7 in, 3.15 in/12 cm, 8 cm
Center Hole	0.6 in/15 mm diameter
Thickness	1.2 mm
Track Pitch	1.6 μ m
Interface	IDE (ATAPI)
Access Times (typical)	
Random	< 100 ms
Full-Stroke	< 150 ms
Audio Output Level	
Line-Out	0.7 VRMS at 47 kOhms
Headphone	0.6 VRMS at 32 Ohms (maximum volume)
Data Transfer Rate	
Sustained	150 KB/s (single)
Burst	150 to 4800 KB/s
Cache Buffer	128 KB
Start-up Time (typical)	< 7 seconds
Stop Time	< 4 seconds
Laser Parameters	
Type	Semiconductor Laser GaAlAs
Wave Length	780 \pm 25 nm
Divergence Angle	53.5 $^{\circ}$ \pm 1.5 $^{\circ}$
Output Power	0.14mW
Operating Conditions	
Temperature	41 $^{\circ}$ to 113 $^{\circ}$ F/5 $^{\circ}$ to 45 $^{\circ}$ C
Humidity	10% to 80%
Dimensions	
(HxWxD, maximum)	1.69 x 5.91 x 8.2 in/4.29 x 15.01 x 20.8 cm
Weight	2.09 lbs/0.95 kg

Technical Specifications

Integrated Dual Channel Wide Ultra2 SCSI Adapter

Drives Supported	Up to 28 SCSI devices (14 per channel)
Data Transfer Method	64-bit PCI bus-master
SCSI Channel Transfer Rate	80 MB/s per channel
Maximum Transfer Rate per PCI Bus (peak)	133 MB/s
SCSI Protocols	Wide Ultra2 SCSI Wide-Ultra SCSI-3 Fast SCSI-2
Electrical Protocol	Low Voltage Differential (LVD)
SCSI Termination	Active Termination
External SCSI Connectors	Two 80-Pin VHDCI connectors
Internal SCSI Connectors	Two 68-Pin Wide Ultra SCSI-3 connectors

Compaq RAID LC2 Controller

Protocol	Wide Ultra2 SCSI
SCSI Electrical Interface	Low Voltage Differential (LVD)
Drives Supported	Wide Ultra3 and Wide Ultra2 SCSI hard drives (Ultra3 drives will operate at 80 MB/s max transfer rate)
SCSI Port Connectors	Single Internal SCSI port
Data Transfer Method	32-bit PCI bus-master
Maximum Transfer Rate on System Bus (peak)	133 MB/s
Simultaneous Drive Transfer Channels	One
Channel Transfer Rate	80 MB/s per channel
Software Upgradable Firmware	Yes
Cache Memory	8MB Cache Performance Engine
Logical Drives Supported	32

64-bit/66 MHz Single Channel Wide Ultra3 SCSI Adapter

Drives Supported	Up to 14 SCSI devices
Storage Capacity	254.8 GB
Data Transfer Method	64-bit / 66-MHz PCI bus-master
Maximum SCSI Channel Transfer Rate	160 MB/s per channel
Maximum Transfer Rate per PCI Bus (peak)	532 MB/s per channel
SCSI Protocols	Wide Ultra3 SCSI Wide Ultra2 SCSI Wide-Ultra SCSI-3 Fast-Wide SCSI-2 Fast SCSI-2
Electrical Protocol	Low Voltage Differential (LVD)
SCSI Termination	Active Termination
External SCSI Connectors	One 68-Pin Wide Ultra SCSI-3 connector
Internal SCSI Connectors	Two 68-Pin Wide Ultra SCSI-3 connectors (one LVD and one SE) One 50-Pin Narrow Ultra connector

Technical Specifications

64-bit/66 MHz Dual
Channel Wide Ultra3
SCSI Adapter

Drives Supported	Up to 28 SCSI devices (14 per channel)
Storage Capacity	509.6 GB
Data Transfer Method	64-bit / 66-MHz PCI bus-master
Maximum SCSI Channel Transfer Rate	160 MB/s per channel
Maximum Transfer Rate per PCI Bus (peak)	532 MB/s per channel
SCSI Protocols	Wide Ultra3 SCSI Wide Ultra2 SCSI Wide-Ultra SCSI-3 Fast SCSI-2
Electrical Protocol	Low Voltage Differential (LVD)
SCSI Termination	Active Termination
External SCSI Connectors	Two 68-Pin VHDCI connectors
Internal SCSI Connectors	Two 68-Pin Wide Ultra SCSI-3 connectors One 50-Pin Narrow Ultra connector

Technical Specifications

Smart Array 5300 Controller

Data Compatible with all Smart Array Controllers	Yes
Instant Upgrades to other Smart Array Controllers	Yes
Consistent Software Manageability Tools	Yes
PCI Bus	64-bit, 66MHz
PCI Peak Data Transfer Rate	533 MB/s
SCSI Protocols Supported	Ultra3, Ultra2, Wide-Ultra
SCSI Peak Data Transfer Rate	640 MB/s total, 160 MB/s per channel
Channels	2, 4
SCSI Ports (external/internal)	2 channel model: 2/2 4 channel model: 4/2
Drives Supported (maximum)	56
Note: Drives Supported (maximum) is based on use of Compaq StorageWorks Enclosure 4200/4300 family. (14 hard disk drive enclosure)	
Cache	128, 64 or 32 MB battery backed read-write
RAID Support	0, 1, 0+1, 5, Advanced Data Guarding
Note: RAID ADG will be available as of Q4 2000. For customers who have purchased the SA-5304/128 a quick firmware upgrades to enable the technology will be available from www.compaq.com/smartarray . The 128-MB cache module with RAID ADG will also be available as of Q4 2000.	
Note: RAID Support: Advanced Data Guarding (RAID ADG) is available with 128-MB versions of the SA-5300 only.	
Logical Drives (maximum)	32
Online Configuration	Yes
Online Capacity Expansion	Yes
Logical Drive Capacity Extension	Yes
Online Stripe Size Migration	Yes
Online RAID Level Migration	Yes
Online Spare Support	Yes
Automatic Data Recovery	Yes
Drive Roaming	Yes
Redundant Controllers	No

Technical Specifications

Smart Array 3200 Controller

Data Compatible with all Smart Array Controllers	Yes
Instant Upgrades to other Smart Array Controllers	Yes
Consistent Software Manageability Tools	Yes
PCI Bus	32-bit, 33 MHz
PCI Peak Data Transfer Rate	133 MB/s
SCSI Protocols Supported	Ultra2, Wide-Ultra
SCSI Peak Data Transfer Rate	160 MB/s total, 80 MB/s per channel
Channels	2
SCSI Ports (external/internal)	2/2
Drives Supported (maximum)	28
Note: Drives Supported (maximum) is based on use of Compaq StorageWorks Enclosure 4200/4300 family (14 hard disk drive enclosure).	
Cache	64-MB battery backed read-write
RAID Support	0, 1, 0+1, 4, 5
Logical Drives (maximum)	32
Online Configuration	Yes
Online Capacity Expansion	Yes
Logical Drive Capacity Extension	Yes
Online Stripe Size Migration	Yes
Online RAID Level Migration	Yes
Online Spare Support	Yes
Automatic Data Recovery	Yes
Drive Roaming	Yes
Redundant Controllers	No

Technical Specifications

Smart Array 431 Controller

Data Compatible with all Smart Array Controllers	Yes
Instant Upgrades to other Smart Array Controllers	Yes
Consistent Software Manageability Tools	Yes
PCI Bus	64-bit, 66MHz
PCI Peak Data Transfer Rate	533 MB/s
SCSI Protocols Supported	Ultra3, Ultra2, Wide-Ultra
SCSI Peak Data Transfer Rate	160 MB/s
Channels	1
SCSI Ports (external/internal)	1/1
Drives Supported (maximum)	14
Note: Drives Supported (maximum) is based on use of Compaq StorageWorks Enclosure 4200/4300 family (14 hard disk drive enclosure).	
Cache	16-MB cache engine
RAID Support	0, 1, 0+1 5
Logical Drives (maximum)	32
Online Configuration	Yes
Online Capacity Expansion	Yes
Logical Drive Capacity Extension	Yes
Online Stripe Size Migration	Yes
Online RAID Level Migration	Yes
Online Spare Support	Yes
Automatic Data Recovery	Yes
Drive Roaming	Yes
Redundant Controllers	No

Video Controller

Controller Chip	ATI RAGE IIC PCI
Video DRAM	4 MB Video SGRAM
Data Transfer Method	32-bit PCI
Support Resolution	Supported Color Depths:
640 x 480	16.7M, 64K, 256, 16
800 x 600	16.7M, 64K, 256, 16
1024 x 768	16.7M, 64K, 256, 16
1152 x 864	16.7M, 64K, 256, 16
1280 x 1024	16.7M, 64K, 256, 16
1600 x 1200	64K, 256, 16
Connector	VGA