

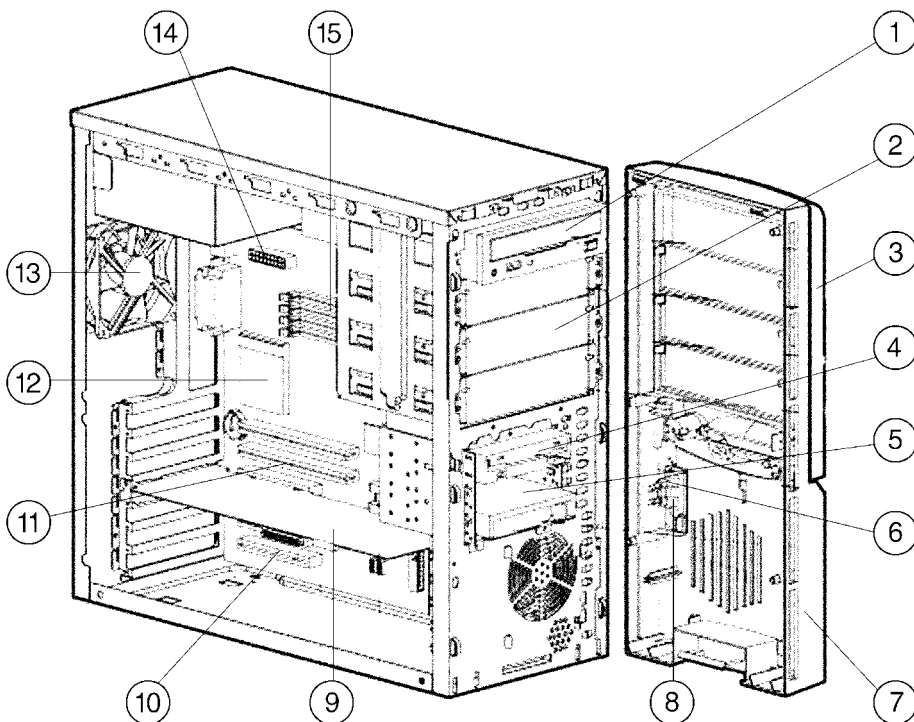
Overview

WHAT'S NEW

- Intel Pentium® III 933 MHz and 866 MHz processors
- 128-MB PC133-MHz Registered ECC SDRAM DIMM memory standard, expandable to 2 GB (933 MHz Models)

AT A GLANCE

- The server designed to meet the needs of small to medium businesses, delivery leading file/print to Internet technology
- RCC 3.0 SLC Chipset with 133-MHz Front Side Bus
- Intel Pentium III 933 MHz, 866 MHz, 733 MHz or 667 MHz Processors supported
- 256-KB second level ECC cache standard (full speed)
- 133-MHz GTL Bus Design
- 64-MB PC133-MHz Registered ECC SDRAM DIMM memory standard, expandable to 2 GB (866 MHz, 733 MHz, and 667 MHz Models)
- Six total slots (5 available): two 64-bit PCI, four 32-bit PCI (no ISA)
- Compaq NC3163 Fast Ethernet NIC (embedded) PCI 10/100 WOL (Wake On LAN)
- Integrated Single Channel Wide Ultra2 SCSI Adapter
- Support for up to five 1" Wide Ultra2/Ultra3 Non-Hot Plug SCSI hard drives
- Internal storage capacity of up to 182 GB
- Internal mass storage capacity of up to 218.4 GB (including the CD-ROM bay)
- High Speed IDE CD-ROM Drive
- Integrated ATI Rage XL Video
- Compaq Insight Manager, SmartStart and Automatic Server Recovery (ASR)
- Protected by Compaq Services, including a three-year, Next Business Day on-site limited Global warranty and extended Pre-Failure Warranty which covers processors, memory, and hard drives — Certain restrictions and exclusions apply. Consult the Compaq Customer Support Center at 1-800-345-1518 for details.



- | | |
|--|---------------------------------|
| 1. High Speed IDE CD-ROM Drive | 9. Server Feature Board |
| 2. Removable Media Bays (3 total, half height) | 10. 32-bit PCI Slots |
| 3. Drive Bay Door | 11. 64-bit PCI Slots |
| 4. 1.44MB Floppy Drive | 12. Processor |
| 5. Two 1" Non-Hot Plug Drive Bays | 13. Fan |
| 6. Power Indicator | 14. Power Supply Connector |
| 7. Bezel (front cover) | 15. DIMM Memory Slots (4 total) |
| 8. Hard Drive Indicator | |

QUICK SPECS

Compaq *ProLiant* ML330

Standard Features

MODELS

Compaq *ProLiant*™ ML330

Available in multiple configurations

Some models not available in all countries

Processor – One of the following:

Intel Pentium III processor 933 MHz
Intel Pentium III processor 866 MHz
Intel Pentium III processor 733 MHz
Intel Pentium III processor 667 MHz

Cache Memory

Integrated 256-KB Level 2 ECC cache (full speed)

Memory – One of the following:

Standard	128 MB (PC133-MHz ECC Registered SDRAM DIMM memory)
Maximum	2 GB
Standard	64 MB (PC133-MHz ECC Registered SDRAM DIMM memory)
Maximum	2 GB

Network Controller

Compaq NC3163 Fast Ethernet NIC (embedded) PCI 10/100 WOL (Wake On LAN)

Expansion Slots

I/O (Total)	6 (5 available)
64-bit PCI	2 (2 available)
32-bit PCI	4 (3 available)

Storage Controller

Integrated Single Channel Wide Ultra2 SCSI Adapter

Storage

Diskette Drives	1.44 MB
CD-ROM	High Speed IDE CD-ROM Drive
Hard Drives	One of the following: None 9.1 GB Wide Ultra2
Maximum Internal Storage	182 GB (internal drive bays and removable media bays) 218.4 GB (internal drive bays in addition to CD-ROM media bays)

Interfaces

Parallel	1
Serial	2
Pointing Device (Mouse)	1
Graphics (VGA)	1
Hot Plug Keyboard	1
Network RJ-45 (Ethernet)	1

Graphics

Integrated ATI RAGE XL Video with 4MB SDRAM

Form Factor

Tower (4U)

Compaq Software

Compaq <i>Insight Manager</i> ™	The comprehensive system management tool that monitors the operation of Compaq servers, workstations and clients
Compaq <i>SmartStart</i> ™	The server configuration and software integration tool from Compaq
Array Configuration Utility (ACU) with Smart Array Controllers	Same easy to use yet powerful graphical user interface (GUI) configuration utility and easy to navigate wizards for all Smart Array Controllers

Standard Features

Manageability

- Compaq Insight Manager
- Automatic Server Recovery (ASR)
- Drive Parameter Tracking (with Smart Array Controller)
- Dynamic Sector Repairing (with Smart Array Controller)
- Pre-Failure Warranty (covers processors, memory and hard drives)

Security

- Power-on password
- Setup password
- Diskette boot control
- Power switch security
- Intruder Alert Message

Power Supply

- 250 Watts, CE Mark Compliant

Required Cabling

For required cabling information, refer to the Compaq website at <http://www.compaq.com/products/servers/proliantML330>.
Note: This web site available in English only.

OS Support

- Microsoft Windows NT Server
- Microsoft BackOffice Small Business Server
- Microsoft Windows 2000
- Novell NetWare
- Novell NetWare Small Business Suite
- SCO OpenServer 5.0.5
- SCO UnixWare (certified for SCO UnixWare 7 *Compaq NonStop*[®] Cluster software)
- LINUX (RedHat, S.U.S.E., TurboLinux Server, Caldera eServer)

Note: For a more complete and up-to-date listing of supported OS's and versions, please visit our OS Support Matrix at: <ftp://ftp.compaq.com/pub/products/servers/os-support-matrix-310.pdf>.

Note: For an up-to-date listing of the latest drivers available for the Compaq ProLiant ML330, please see: <http://www.compaq.com/support/files/server/us/index.html>

Service and Support

Compaq Services provides a wide range of service offerings, including a three-year limited warranty fully supported by a worldwide network of resellers and service providers, lifetime toll-free 7 x 24 hardware technical phone support, and Pre-Failure Warranty coverage of hard drives, memory, and processors. Disaster recovery services are available through partnership with Comdisco.

Note: Certain restrictions and exclusions apply. Consult the Compaq Customer Support Center at 1-800-345-1518 for details.

QUICK SPECS

Compaq *ProLiant* ML330

Standard Features

ML330T01 P933-256K
128 MB 9.1 GB
160209-xx2

Note: Model not available in North America

ML330T01 P933-256K
128 MB
160209-xx1

ML330T01 P866-256K
64 MB 9.1 GB
175591-xx2

Note: Model not available in North America

ML330T01 P866-256K
64 MB
175951-xx1

ML330T01 P733-256K
64 MB 9.1 GB
157797-xx2

Note: Model not available in North America

Models

Processor(s)	Intel Pentium III 933 MHz	Network Controller	Compaq NC3163 Fast Ethernet NIC (embedded) PCI 10/100 WOL
Cache Memory	Integrated 256-KB Level 2 cache (full speed)	Storage Controller	Integrated Single Channel Wide Ultra2 SCSI Adapter
Memory	PC133-MHz ECC Registered SDRAM DIMM	Internal Storage	218.4 GB maximum
Standard	128 MB	Optical Drive	High Speed IDE CD-ROM Drive
Maximum	2 GB	Hard Drive	9.1 GB Wide Ultra2
		Form Factor	Tower (4U)

Processor(s)	Intel Pentium III 933 MHz	Network Controller	Compaq NC3163 Fast Ethernet NIC (embedded) PCI 10/100 WOL
Cache Memory	Integrated 256-KB Level 2 cache (full speed)	Storage Controller	Integrated Single Channel Wide Ultra2 SCSI Adapter
Memory	PC133-MHz ECC Registered SDRAM DIMM	Internal Storage	218.4 GB maximum
Standard	128 MB	Optical Drive	High Speed IDE CD-ROM Drive
Maximum	2 GB	Hard Drive	None
		Form Factor	Tower (4U)

Processor(s)	Intel Pentium III 866 MHz	Network Controller	Compaq NC3163 Fast Ethernet NIC (embedded) PCI 10/100 WOL
Cache Memory	Integrated 256-KB Level 2 cache (full speed)	Storage Controller	Integrated Single Channel Wide Ultra2 SCSI Adapter
Memory	PC133-MHz ECC Registered SDRAM DIMM	Internal Storage	218.4 GB maximum
Standard	64 MB	Optical Drive	High Speed IDE CD-ROM Drive
Maximum	2 GB	Hard Drive	9.1 GB Wide Ultra2
		Form Factor	Tower (4U)

Processor(s)	Intel Pentium III 866 MHz	Network Controller	Compaq NC3163 Fast Ethernet NIC (embedded) PCI 10/100 WOL
Cache Memory	Integrated 256-KB Level 2 cache (full speed)	Storage Controller	Integrated Single Channel Wide Ultra2 SCSI Adapter
Memory	PC133-MHz ECC Registered SDRAM DIMM	Internal Storage	218.4 GB maximum
Standard	64 MB	Optical Drive	High Speed IDE CD-ROM Drive
Maximum	2 GB	Hard Drive	None
		Form Factor	Tower (4U)

Processor(s)	Intel Pentium III 733 MHz	Network Controller	Compaq NC3163 Fast Ethernet NIC (embedded) PCI 10/100 WOL
Cache Memory	Integrated 256-KB Level 2 cache (full speed)	Storage Controller	Integrated Single Channel Wide Ultra2 SCSI Adapter
Memory	PC133-MHz ECC Registered SDRAM DIMM	Internal Storage	218.4 GB maximum
Standard	64 MB	Optical Drive	High Speed IDE CD-ROM Drive
Maximum	2 GB	Hard Drive	9.1 GB Wide Ultra2
		Form Factor	Tower (4U)

QUICK SPECS

Compaq ProLiant ML330

Standard Features

ML330T01 P733-256K
64 MB
 157797--xx1

Processor(s)	Intel Pentium III 733 MHz	Network Controller	Compaq NC3163 Fast Ethernet NIC (embedded) PCI 10/100 WOL
Cache Memory	Integrated 256-KB Level 2 cache (full speed)	Storage Controller	Integrated Single Channel Wide Ultra2 SCSI Adapter
Memory	PC133-MHz ECC Registered SDRAM DIMM	Internal Storage	218.4 GB maximum
Standard	64 MB	Optical Drive	High Speed IDE CD-ROM Drive
Maximum	2 GB	Hard Drive	None
		Form Factor	Tower (4U)

ML330T01 P667-256K
64 MB 9.1 GB
 171469-xx2

Note: Model not available in North America

Processor(s)	Intel Pentium III 667 MHz	Network Controller	Compaq NC3163 Fast Ethernet NIC (embedded) PCI 10/100 WOL
Cache Memory	Integrated 256-KB Level 2 cache (full speed)	Storage Controller	Integrated Single Channel Wide Ultra2 SCSI Adapter
Memory	PC133-MHz ECC Registered SDRAM DIMM	Internal Storage	218.4 GB maximum
Standard	64 MB	Optical Drive	High Speed IDE CD-ROM Drive
Maximum	2 GB	Hard Drive	9.1 GB Wide Ultra2
		Form Factor	Tower (4U)

ML330T01 P667-256K
64 MB
 171469-xx1

Processor(s)	Intel Pentium III 667 MHz	Network Controller	Compaq NC3163 Fast Ethernet NIC (embedded) PCI 10/100 WOL
Cache Memory	Integrated 256-KB Level 2 cache (full speed)	Storage Controller	Integrated Single Channel Wide Ultra2 SCSI Adapter
Memory	PC133-MHz ECC Registered SDRAM DIMM	Internal Storage	218.4 GB maximum
Standard	64 MB	Optical Drive	High Speed IDE CD-ROM Drive
Maximum	2 GB	Hard Drive	None
		Form Factor	Tower (4U)

Country Code Key

XX=00	NA
XX=01	Australia
XX=02	Euro
XX=03	UK
XX=04	Germany
XX=34	Austria
XX=05	France
XX=29	Japan
XX=37	AP
XX=AA	PRC

Options

Memory (DIMMs)

512-MB PC133-MHz Registered ECC SDRAM DIMM Memory Option Kit	128279-B21
256-MB PC133-MHz Registered ECC SDRAM DIMM Memory Option Kit	128278-B21
128-MB PC133-MHz Registered ECC SDRAM DIMM Memory Option Kit	128277-B21
64-MB PC133-MHz Registered ECC SDRAM DIMM Memory Option Kit	128276-B21

Optical Drives

DVD-ROM Drive Option Kit (Opal) (DVD-ROM Drive Option Kit is only supported by Windows NT or Windows 2000 OS.)	388481-B21
DVD-ROM Drive Option Kit (Opal) (Japan) (DVD-ROM Drive Option Kit is only supported by Windows NT or Windows 2000 OS.)	388481-291

Hard Drives

Wide Ultra3 SCSI – Non-Hot Plug

36.4-GB Wide Ultra3 SCSI 10,000 rpm Drive (1")	176497-B21
18.2-GB Wide Ultra3 SCSI 10,000 rpm Drive (1")	142674-B21
9.1-GB Wide Ultra3 SCSI 10,000 rpm Drive (1")	142672-B21

Wide Ultra2 SCSI – Non-Hot Plug

18.2-GB Wide Ultra2 SCSI Drive (1")	388143-B21
9.1-GB Wide Ultra2 SCSI Drive (1")	349526-B21

Storage Controllers

Compaq RAID LC2 Controller	188044-B21
Compaq RAID LC2 Controller (Japan)	188044-291
Smart Array 431 Controller	127695-B21
Smart Array 431 Controller (Japan)	127695-291
64-bit/66MHz Single Channel Wide Ultra3 SCSI Adapter	154457-B21
64-bit/66MHz Single Channel Wide Ultra3 SCSI Adapter (Japan)	154457-291
64-bit/66MHz Dual Channel Wide Ultra3 SCSI Adapter	129803-B21
64-bit/66MHz Dual Channel Wide Ultra3 SCSI Adapter (Japan)	129803-291

Communications

Compaq NC3122 Dual Port Fast Ethernet NIC	317450-B21
Compaq NC3123 Fast Ethernet NIC PCI 10/100 WOL	174830-B21
Compaq NC6132 1000 SX Upgrade Module	338456-B23
Compaq NC3133 Fast Ethernet Module 100 FX Upgrade Module for NC3134 and NC3131	338456-B25
Compaq NC6134 1000 SX 64 PCI Gigabit NIC	174818-B21
Compaq NC3134 Fast Ethernet NIC 64 PCI Dual Port 10/100	138603-B21
Compaq NC3135 Fast Ethernet Module Dual 10/100 Upgrade Module for NC3134	138604-B21

Internal Tape Drives

Note: In order to install certain tape drives internally, you may need to remove the rails that come standard on the drives and then re-insert the screws in the mounting holes.

Internal 20/40-GB DAT DDS-4 Tape Drive	157769-B21
Internal 12/24-GB DAT Drive (Opal)	295513-B22
Internal 12/24-GB DAT Drive (Opal) (Japan)	295513-292
Internal 4/8-GB DAT Drive (Opal)	295353-B22
Internal 4/8-GB DAT Drive (Opal) (Japan)	295353-292
Internal 4/8-GB SLR Drive (Opal)	295480-B22
Internal 4/8-GB SLR Drive (Opal) (Japan)	295480-292
4GB SLR Data Cartridge (5 pack)	295482-B21
4GB DDS2 DAT Cartridge	137611-001
SLR/MLR Cleaning Cartridge	295483-B21
12-GB DDS-3 DAT Cassette (10 pack)	295515-B21
DAT Cleaning Cassette	242781-001

Options

Internal Tape Drives *(continued)*

DDS-4 Media (10 pack)	152842-001
-----------------------	------------

Note: Please see the Compaq 20/40-GB DAT Drive, Compaq 12/24-GB DAT Drive, Compaq 4/8-GB DAT Drive, or the Compaq 4/8-GB SLR Drive for an up-to-date listing of the latest O/S Support details, please see the following:

http://www.compaq.com/products/quickspecs/North_America/10233_na.html (North America)

http://www.compaq.com/products/quickspecs/Division/10233_div.html (Division/World Wide)

Management Options

Compaq Remote Insight Lights-Out Edition (NA, LA)	157866-001
Compaq Remote Insight Lights-Out Edition (EURO)	157866-021
Compaq Remote Insight Lights-Out Edition (APD, Japan)	157866-371
Compaq Remote Insight (PCI) LAN + NA Modem	294013-002
Compaq Remote Insight (PCI) LAN + NA Modem (PAN EURO)	294013-B32
Compaq Remote Insight Board (PCI) LAN/Serial without modem	294013-B24
Compaq Remote Insight Board (PCI) LAN/Serial without modem (Japan)	294013-294
Compaq Remote Insight Board (PCI) LAN only	294013-B25
Compaq Remote Insight Board (PCI) LAN only (Japan)	294013-295

Monitors

TFT8020 18" Flat Panel Monitor (Opal)	326100-xxx
TFT8020 18" Flat Panel Monitor (Carbon)	159244-xxx
TFT8020 18" Flat Panel Monitor (Opal, bulked packed 2 monitor heads per box)	173610-xxx
TFT5010 15" Flat Panel Monitor (Opal)	104741-xxx
TFT5010 15" Flat Panel Monitor (Carbon)	154486-xxx
TFT5005 15" Flat Panel Monitor (Opal)	201431-xxx
TFT5005 15" Flat Panel Monitor (Carbon)	201430-xxx
P1100 Color Monitor	325606-xxx
P900 Color Monitor	386326-xxx
P700 Color Monitor	380207-xxx
V1100 Color Monitor	386472-xxx
V710 Color Monitor	187895-xxx
V500 Color Monitor	325900-xxx
S910 Color Monitor	138485-xxx
S710 Color Monitor	152991-xxx
S510 Color Monitor	168636-xxx

Options

CRT Country Code Key

NORTH AMERICA (NA) / LATIN AMERICA (LA)

Dash #	Description		
		-201	EH model for Brazil (older Brazil models used -B29)
-001	NA Kit with US Power Cord	-202	EH model for Brazil Carbon (older Brazil models used -B29)
-002	Carbon model with US Power Cord	-C91	EH model for Mercosur countries
-003	Touch Screen model with US Power Cord	-C92	EH model for Mercosur countries Carbon
-004	NAFTA model with US Power Cord (Made in Mexico)	-B29	EH / ALADI model for Latin America
-005	NA Kit with Powered Speakers		
-006	GSA model with US Power Cord		
-007	NH MPR model with US power cord (Made in Mexico)		
-B24	TCO model without power cord (Digital Classic)		

Note: All NA/LA models above are NH

EUROPE, MIDDLE EAST AND AFRICA (EMEA)

Dash #	Description		
-021	NH / TCO with Eurocord (DCE Hub)	-031	NH / TCO with UK Cord (UK Hub)
-022	NH / MPR with Eurocord (DCE Hub) (India)	-032	NH / MPR with UK Cord (UK Hub)
-023	NH Carbon model with Eurocord (DCE Hub)	-033	NH / TCO carbon with UK Cord
-024	NH Touch Screen model with Eurocord (DCE Hub)	-035	NH Kit with Speakers and UK Cord
-025	NH Kit with Speakers and Eurocord	-B21	SH / MPR without power cord (S. Africa Hub)
-A91	NH / TCO without power cord (Dubai hub)	-B23	SH / TCO without power cord (S. Africa Hub)
-A92	NH / MPR without power cord (Dubai hub)	-B27	SH / TCO Carbon without power cord (S. Africa Hub)

PACIFIC / AUSTRALIA (APD)

Dash #	Description		
-B22	NH / MPR without power cord	-012	SH Carbon model with AUZ/NZ power cord
-B24	NH / TCO without power cord	-AD1	NH model for Korea
-B25	EH Carbon model without power cord	-AD2	NH Carbon model for Korea
-B26	NH Touch Screen model without power cord	-B28	EH model without power cord
-011	SH model with AUZ/NZ power cord	-B35	EH model with speakers no power cord (Singapore)
-015	SH model with speakers AUZ/NZ power cord		

GREATER CHINA (GCD)

Dash #	Description		
-AA1	NH / China Kit with CCIB label (Local Sales)	-KA1	NH / China Kit with CCIB label (External Sales/Bundles in HK)
-AA2	NH/ Carbon China Kit with CCIB label (Local Sales)	-AB1	NH / Taiwan kit, mfg. in Taiwan

JAPAN (CKK)

Dash #	Description		
-291	NH / Japan Kit with 3-2 pin adapter	-292	NH Carbon Japan Kit with 3-2 pin adapter

Options

TFT Country Code Key

EUROPE, MIDDLE EAST & AFRICA (EMEA)

Dash #	Description		
-AA1	NH / China Kit with CCIB label (Local Sales)	-KA1	NH / China Kit with CCIB label (External Sales/Bundles in HK)
-AA2	NH/ Carbon China Kit with CCIB label (Local Sales)	-AB1	NH / Taiwan kit, mfg. in Taiwan

NORTH AMERICA

Dash #	Description		
-001	NA	-B24	All NA/LA models

APD

Dash #	Description
-011	Australia/NZ

JAPAN (CKK)

Dash #	Description
-291	Japan

External Tape Drives

External 20/40-GB DAT DDS-4 Tape Drive	157770-001
12-GB DDS-3 DAT Cassette (10 pack)	295515-B21
DAT Cleaning Cassette	242781-001
DDS-4 Media (10 pack)	152842-001

Note: Please see the Compaq 20/40-GB DAT Drive for an up-to-date listing of the latest O/S Support details, please see the following:

http://www.compaq.com/products/quickspecs/North_America/10233_na.html (North America)

http://www.compaq.com/products/quickspecs/Division/10233_div.html (Division/World Wide)

Options

External Storage

Compaq StorageWorks Enclosure Model 4214T (tower)	124875-001
Compaq StorageWorks Enclosure Model 4214T (tower) (Int'l)	124875-B31
Compaq StorageWorks Enclosure Model 4214T (tower) (Japan)	124875-291
Compaq StorageWorks Enclosure Model 4314T (tower)	190210-001
Compaq StorageWorks Enclosure Model 4314T (tower) (Int'l)	190210-B31
Compaq StorageWorks Enclosure Model 4314T (tower) (Japan)	190210-291

Note: The Compaq StorageWorks Enclosure 4200 and 4300 Family support the Wide Ultra2/Ultra3 1" Hot Plug Hard Drives.

SCSI Storage Expander II	332609-001
SCSI Storage Expander II (Int'l)	332609-B21
SCSI Storage Expander II (Japan)	332609-291
ProLiant Storage System Tower Model UE	348710-002
ProLiant Storage System Tower Model UE (Int'l)	348710-B32
ProLiant Storage System Tower Model UE (Japan)	348710-292
ProLiant Storage System Tower Model U2	304110-B22
ProLiant Storage System Tower Model U2 (Int'l)	304114-B32
ProLiant Storage System Tower Model U2 (Japan)	304114-292

Note: The Compaq ProLiant Storage System Models UE and U2 support the Wide-Ultra SCSI-3 Drives.

ProLiant Storage System RSO/U Tower	387490-002
ProLiant Storage System RSO/U Tower (Int'l)	387490-B32
ProLiant Storage System RSO/U Tower (Japan)	387490-292

Note: The Compaq ProLiant Storage System RSO/U Models support the Wide-Ultra SCSI-3 Drives.

ProLiant Storage System/U Redundant Power Supply Option	224206-001
ProLiant Storage System/U Redundant Power Supply Option (Int'l)	224214-001
StorageWorks Enclosure 4200 Redundant Power Supply Option	119826-B21
StorageWorks Enclosure 4200 Ultra2 Dual Bus I/O Module Option	119829-B21
StorageWorks Enclosure 4200 Ultra3 Single Bus I/O Module Option	190212-B21
StorageWorks Enclosure 4200 Ultra3 Dual Bus I/O Module Option	190213-B21
StorageWorks Enclosure 4200 Tower to Rack Conversion Kit	150213-B21

Uninterruptible Power Supply

Compaq Pro UPS 500 (300 Watt) 120V (NA)	136386-001
Compaq Pro UPS 500 (300 Watt) 120V (Int'l)	136386-B31
Compaq Pro UPS 500 (300 Watt) 120V (Japan)	136386-291
UPS Model T700 (100-127 Volt/700 Volt Amp)	295372-B21
UPS Model T700h (208-240 Volt/700 Volt Amp) (Int'l)	295372-B22
UPS Model T700j (100-127 Volt/700 Volt Amp) (Japan)	295372-291
UPS Model T1000 (100-127 Volt/1000 Volt Amp)	242688-001
UPS Model T1000h (208-240 Volt/1000 Volt Amp) (Int'l)	242688-002
High to Low Voltage Transformer (250VA)	388643-B21
SNMP-EN Adapter	347225-B21
(Not available for UPS T700 or UPS 500)	
Multi-Server UPS Card	123508-B21
(Not available for UPS T700 or UPS 500)	
Scalable UPS Card	123509-B21
(Not available for UPS T700 or UPS 500)	

Other

Enhanced Keyboard	296433-006
Mouse	141549-006

Options

Service Upgrades (CarePaks)

Hardware Services 4-Hour On-site Service

5 x 9 Coverage, 3 Years (2-5-2 Part Number for U.S.)	FM-EL4HR-36
5 x 9 Coverage, 3 Years (2-5-2 Part Number for Canada)	FP-EL4HR-36
5 x 9 Coverage, 3 Years (6-3 Part Number for U.S.)	162676-002
5 x 9 Coverage, 3 Years (6-3 Part Number for Canada)	162676-122
5 x 9 Coverage, 3 Years (6-3 Part Number for EMEA)	324416-002
7 x 24 Coverage, 3 Years (2-5-2 Part Number for U.S.)	FM-EL724-36
7 x 24 Coverage, 3 Years (2-5-2 Part Number for Canada)	FP-EL724-36
7 x 24 Coverage, 3 Years (6-3 Part Number for U.S.)	162675-002
7 x 24 Coverage, 3 Years (6-3 Part Number for Canada)	162675-122
7 x 24 Coverage, 3 Years (6-3 Part Number for EMEA)	376910-022

Installation & Start-up Services

Hardware Installation (2-5-2 Part Number for U.S.)	FM-ELINS-IN
Hardware Installation (2-5-2 Part Number for Canada)	FP-ELINS-IN
Hardware Installation (6-3 Part Number for U.S.)	401792-002
Hardware Installation (6-3 Part Number for Canada)	401792-122
Hardware Installation (EMEA)	Quote
O/S & Hardware Installation (2-5-2 Part Number for U.S.) (Hardware installation plus two days O/S start-up activity (install, config, network access & orientation))	FP-CXHSI-01
O/S & Hardware Installation (6-3 Part Number for U.S.) (Hardware installation plus two days O/S start-up activity (install, config, network access & orientation))	160555-002
O/S & Hardware Installation (EMEA) (Hardware installation plus two days O/S start-up activity (install, config, network access & orientation))	Quote

Business Solutions Priority Service Plan – Priority Level

5 x 9 4-hour H/W, 5 x 9 2-hour O/S (NT & NetWare), Three years (2-5-2 Part Number for U.S.)	FP-CX101-36
5 x 9 4-hour H/W, 5 x 9 2-hour O/S (NT & NetWare), Three years (2-5-2 Part Number for Canada)	FP-CZ101-36
5 x 9 4-hour H/W, 5 x 9 2-hour O/S (NT & NetWare), Three years (6-3 Part Number for U.S.)	155323-001
5 x 9 4-hour H/W, 5 x 9 2-hour O/S (NT & NetWare), Three years (6-3 Part Number for Canada)	155323-122
5 x 9 4-hour H/W, 5 x 9 2-hour O/S (NT & NetWare), Three years (6-3 Part Number for EMEA)	179834-022

Business Solutions Priority Service Plan – Priority 24 Level

7 x 24 4-hour H/W, 7 x 24 2-hour O/S (NT & NetWare), Three years (2-5-2 Part Number for U.S.)	FP-CX201-36
7 x 24 4-hour H/W, 7 x 24 2-hour O/S (NT & NetWare), Three years (6-3 Part Number for U.S.)	155327-002
7 x 24 4-hour H/W, 7 x 24 2-hour O/S (NT & NetWare), Three years (6-3 Part Number for EMEA)	179839-022

Business Solutions Priority Service Plan – Priority Plus Level

7 x 24 4-hour H/W, 7 x 24 1-hour O/S (NT & NetWare), SPS account review, Three years (2-5-2 Part Number for U.S.)	FP-CX301-36
7 x 24 4-hour H/W, 7 x 24 1-hour O/S (NT & NetWare), SPS account review, Three years (2-5-2 Part Number for Canada)	FP-CZ301-36
7 x 24 4-hour H/W, 7 x 24 1-hour O/S (NT & NetWare), SPS account review, Three years (6-3 Part Number for U.S.)	155331-002
7 x 24 4-hour H/W, 7 x 24 1-hour O/S (NT & NetWare), SPS account review, Three years (6-3 Part Number for Canada)	155331-122

Options

Service Upgrades (CarePacs) *(continued)*

Business Solutions Priority Service Plan – Priority Premier Level

7 x 24 2-hour H/W, 7 x 24 1-hour O/S (NT & NetWare), SPS Account Review, Proactive Management Review, named S/w rep, Three Years (2-5-2 Part Number for U.S.)	FP-CX501-36
7 x 24 2-hour H/W, 7 x 24 1-hour O/S (NT & NetWare), SPS Account Review, Proactive Management Review, named S/w rep, Three Years (2-5-2 Part Number for Canada)	FP-CZ501-36
7 x 24 2-hour H/W, 7 x 24 1-hour O/S (NT & NetWare), SPS Account Review, Proactive Management Review, named S/w rep, Three Years (6-3 Part Number for U.S.)	155335-002
7 x 24 2-hour H/W, 7 x 24 1-hour O/S (NT & NetWare), SPS Account Review, Proactive Management Review, named S/w rep, Three Years (6-3 Part Number for Canada)	155335-122

Business Solutions Priority Service Plan – Priority Executive Premier Level

7 x 24 2-hour H/W, 7 x 24 30-minutes O/S (NT & NetWare), SPS Account Review, Proactive Management Review, named S/w rep, Three Years (2-5-2 Part Number for U.S.)	FP-CX701-36
7 x 24 2-hour H/W, 7 x 24 30-minutes O/S (NT & NetWare), SPS Account Review, Proactive Management Review, named S/w rep, Three Years (2-5-2 Part Number for Canada)	FP-CZ701-36
7 x 24 2-hour H/W, 7 x 24 30-minutes O/S (NT & NetWare), SPS Account Review, Proactive Management Review, named S/w rep, Three Years (6-3 Part Number for U.S.)	155339-002
7 x 24 2-hour H/W, 7 x 24 30-minutes O/S (NT & NetWare), SPS Account Review, Proactive Management Review, named S/w rep, Three Years (6-3 Part Number for Canada)	155339-122

Note: For more information, customer/resellers can contact www.Compaq.com/services.

Memory

Compaq ProLiant ML330 933 MHz Models

STANDARD MEMORY

128 MB PC133-MHz Registered ECC SDRAM DIMM installed (1 x 128-MB SDRAM DIMM)

Standard	Slot			
	1	2	3	4
128 MB	128 MB	Empty	Empty	Empty

STANDARD MEMORY PLUS

OPTIONAL MEMORY

Up to 1664 MB memory is available with the optional installation of PC133-MHz Registered ECC SDRAM DIMM memory kits.

Up to	Slot			
	1	2	3	4
1664 MB	128 MB	512 MB	512 MB	512 MB

STANDARD MEMORY REPLACED

WITH OPTIONAL MEMORY

Up to 2048 MB of memory is available with the removal of the standard 64-MB of memory and the optional installation of PC133-MHz Registered ECC SDRAM DIMM memory kits.

Up to	Slot			
	1	2	3	4
2048 MB	512 MB	512 MB	512 MB	512 MB

Note: Charts do not represent all possible memory configurations.

Following are memory options available from Compaq:

- 512-MB PC133-MHz Registered ECC SDRAM DIMM Memory Option Kit 128279-B21
- 256-MB PC133-MHz Registered ECC SDRAM DIMM Memory Option Kit 128278-B21
- 128-MB PC133-MHz Registered ECC SDRAM DIMM Memory Option Kit 128277-B21
- 64-MB PC133-MHz Registered ECC SDRAM DIMM Memory Option Kit 128276-B21

Memory

Compaq ProLiant ML330
866MHz, 733 MHz, and 667 MHz Models

STANDARD MEMORY

64 MB PC133-MHz Registered ECC SDRAM DIMM installed (1 x 64-MB SDRAM DIMM)

Standard	Slot			
	1	2	3	4
64 MB	64 MB	Empty	Empty	Empty

STANDARD MEMORY PLUS

OPTIONAL MEMORY

Up to 1600 MB memory is available with the optional installation of PC133-MHz Registered ECC SDRAM DIMM memory kits.

Up to	Slot			
	1	2	3	4
1600 MB	64 MB	512 MB	512 MB	512 MB

STANDARD MEMORY REPLACED

WITH OPTIONAL MEMORY

Up to 2048 MB of memory is available with the removal of the standard 64-MB of memory and the optional installation of PC133-MHz Registered ECC SDRAM DIMM memory kits.

Up to	Slot			
	1	2	3	4
2048 MB	512 MB	512 MB	512 MB	512 MB

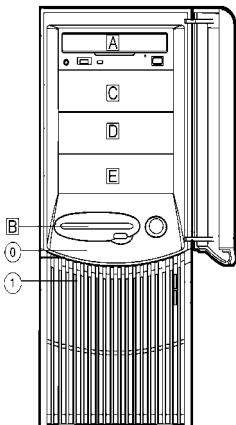
Note: Charts do not represent all possible memory configurations.

Following are memory options available from Compaq:

- 512-MB PC133-MHz Registered ECC SDRAM DIMM Memory Option Kit 128279-B21
- 256-MB PC133-MHz Registered ECC SDRAM DIMM Memory Option Kit 128278-B21
- 128-MB PC133-MHz Registered ECC SDRAM DIMM Memory Option Kit 128277-B21
- 64-MB PC133-MHz Registered ECC SDRAM DIMM Memory Option Kit 128276-B21

Storage

DRIVE SUPPORT



Non-Hot Plug Drive Cage

- A High Speed IDE CD-ROM
- B 3.5 in. Diskette Drive
- C, D, E Removable Media Bays (1.6" each)
- 0, 1 Two 1" Non-Hot Plug Drive Bays

	Quantity Supported	Position Supported	Controller
Removable Media			
1.44-MB Diskette Drive	Up to 1	B	Integrated
IDE CD-ROM Drive	Up to 2	A or C	Integrated IDE
DVD-ROM Drive Option Kit	Up to 2	A or C	Integrated IDE
Hard Drives			
Wide Ultra2 SCSI – Non-Hot Plug			
1-inch	Up to 5	C, D, E + 0, 1	Integrated Single Channel Wide Ultra2 SCSI Adapter
18.2-GB			Compaq RAID LC2 Controller
9.1-GB			Smart Array 431 Controller
			64-bit/66-MHz Single Channel Wide Ultra3 SCSI Adapter
			64-bit/66-MHz Dual Channel Wide Ultra3 SCSI Adapter
Wide Ultra3 SCSI – Non-Hot Plug			
1-inch	Up to 5	C, D, E + 0, 1	Integrated Single Channel Wide Ultra2 SCSI Adapter
36.4-GB 10,000 rpm			Compaq RAID LC2 Controller
18.2-GB 10,000 rpm			Smart Array 431 Controller
9.1-GB 10,000 rpm			64-bit/66-MHz Single Channel Wide Ultra3 SCSI Adapter
			64-bit/66-MHz Dual Channel Wide Ultra3 SCSI Adapter
External Storage			
StorageWorks Enclosure 4200 Family	Up to 7	External	Smart Array 221 Controller
StorageWorks Enclosure 4300 Family			Smart Array 431 Controller
(supports Ultra2/Ultra3 1" drives only)			Smart Array 3200 Controller
			64-Bit/66MHz Single Channel Wide Ultra3 SCSI Adapter
			64-Bit/66MHz Dual Channel Wide Ultra3 SCSI Adapter
ProLiant Storage System Models U2	Up to 7	External	Integrated Single Channel Wide Ultra2 SCSI Adapter
ProLiant Storage System Models UE			Smart Array 3200 Controller
(supports Wide-Ultra SCSI-3 drives only)			64-Bit/66MHz Dual Channel Wide Ultra3 SCSI Adapter
			64-Bit/66MHz Single Channel Wide Ultra3 SCSI Adapter
SCSI Storage Expander II	Up to 3	External	Integrated Single Channel Wide Ultra2 SCSI Adapter
			Smart Array 3200 Controller
			64-Bit/66MHz Dual Channel Wide Ultra3 SCSI Adapter
			64-Bit/66MHz Single Channel Wide Ultra3 SCSI Adapter
Maximum Storage Capacity – (SCSI Attached) (ProLiant Storage System)			
Internal	218.4 GB (5 x 36.4 GB + 1 x 36.4 GB hard drives – in CD-ROM bay)		
External	3.057 TB (12 x 36.4 GB) x 7		
Total	3.239 TB		
Maximum Storage Capacity – (SCSI Attached) (StorageWorks Enclosure)			
Internal	218.4 GB (5 x 36.4 GB + 1 x 36.4 GB hard drives – in CD-ROM bay)		
External	3.567 TB (14 x 36.4 GB) x 7		
Total	3.785 TB		

Storage

DRIVE SUPPORT *(continued)*

	Quantity Supported	Position Supported	Controller
Tape Drives			
<p>Note: For an up-to-date listing of the latest O/S Support details for each of the Tape Drives listed below, please see the following: http://www.compaq.com/products/quickspecs/North_America/10233_na.html (North America) http://www.compaq.com/products/quickspecs/Division/10233_div.html (Division/World Wide)</p>			
Internal 12/24-GB DAT Drive	Up to 2	C, D	Integrated Single Channel Wide Ultra2 SCSI Adapter
Internal 4/8-GB DAT			64-bit/66-MHz Dual Channel Wide Ultra3 SCSI Adapter
Internal 4/8-GB SLR			64-bit/66-MHz Single Channel Wide Ultra3 SCSI Adapter
20/40-GB DAT DDS-4 Tape Drive	Up to 2	C, D	Integrated Single Channel Wide Ultra2 SCSI Adapter
			64-bit/66-MHz Dual Channel Wide Ultra3 SCSI Adapter
			64-bit/66-MHz Single Channel Wide Ultra3 SCSI Adapter

Technical Specifications

System Unit

Dimensions (HxWxD) (with feet)	16.5 x 7.5 x 20.25 in/420 x 191 x 515 mm	
Weight (approximate)	34 lbs/15.42 kg	
Input Requirements (per power supply)		
Range Line Voltage	90 to 132 VAC/180 to 264 VAC	
Nominal Line Voltage	115 to 230 VAC	
Line Frequency	47 to 60 Hz	
Rated Input Current	< 8A RMS at 90VAC with maximum load	
BTU Rating	1,560 BTU	
SCSI Connectors	One internal 68-pin Wide SCSI Connector (Support for either one internal or one external. External is achieved using an internal to external SCSI Cable Option Kit and the SCSI knockout.)	
Power Supply Output Power		
Rated Steady State Power	200W	
Maximum Peak Power	250W	
Temperature Range		
Operating	50° to 93°F/10° to 35°C	
Shipping	-40° to 150°F/-40° to 66°C	
Relative Humidity (non-condensing)		
Operating	20% to 80%	
Non-operating	5% to 90%	
Acoustic Noise	L WAd (BELS)	L pAm (dBA)
IDLE (Fixed Disk Drives Spinning)	5.3	45
OPERATING (Random Seeks to Fixed Disks)	5.3	45

1.44-MB Diskette Drive

Diskette Size	3.5 in
LED Indicators (front panel)	Green
Read/Write Capacity per Diskette (high/low density)	1.44 MB/720 KB
Drive Supported	One
Drive Height	One-third
Drive Rotation	300 rpm
Transfer Rate (high/low)	500/250 Kb/s
Bytes/Sector	512
Sectors/Track (high/low)	18/9
Tracks/Side (high/low)	80/80
Access Times	
Track-to-Track (high/low)	3/6 ms
Average (high/low)	169/94 ms
Settling Time	15 ms
Latency Average	100 ms
Cylinders (high/low)	80/80
Read/Write Heads	Two

QUICK SPECS

Compaq ProLiant ML330

Technical Specifications

Non-Hot Plug
Wide Ultra2 SCSI
Hard Drives

18.2 GB	Capacity	18209.3 MB	Seek Time (typical reads, including settling)	
	Height	1 in/25.4 mm	Single Track	0.8 ms
	Width	3.5 in/88.9 mm	Average	7.0 ms
	Interface	Wide Ultra2 SCSI	Full-Stroke	15 ms
	Transfer Rate		Rotational Speed	7200 rpm
	Synchronous (Maximum)	80 MB/s	Physical Configuration	
			Bytes/Sector	512
			Logical Blocks	35,565,080
			Operating Temperature	50° to 95°F/10° to 35°C

9.1 GB	Capacity	9100.0 MB	Seek Time (typical reads, including settling)	
	Height	1 in/25.4 mm	Single Track	0.8 ms
	Width	3.5 in/88.9 mm	Average	7.1 ms
	Interface	Wide Ultra2 SCSI	Full-Stroke	16 ms
	Transfer Rate		Rotational Speed	7200 rpm
	Synchronous (Maximum)	80 MB/s	Physical Configuration	
			Bytes/Sector	512
			Logical Blocks	17,773,524
			Operating Temperature	50° to 95°F/10° to 35°C

Non-Hot Plug
Wide Ultra3 SCSI
Hard Drives

36.4 GB 10K	Capacity	36419.5 MB	Seek Time (typical reads, including settling)	
	Height	1 in/25.4 mm	Single Track	0.8 ms
	Width	3.5 in/88.9 mm	Average	5.7 ms
	Interface	Wide Ultra3 SCSI	Full-Stroke	13 ms
	Transfer Rate		Rotational Speed	10,000 rpm
	Synchronous (Maximum)	160 MB/s	Physical Configuration	
			Bytes/Sector	512
			Logical Blocks	71,132,000
			Operating Temperature	50° to 95°F/10° to 35°C

18.2 GB 10K	Capacity	18209.3 MB	Seek Time (typical reads, including settling)	
	Height	1 in/25.4 mm	Single Track	0.8 ms
	Width	3.5 in/88.9 mm	Average	5.5 ms
	Interface	Wide Ultra3 SCSI	Full-Stroke	12 ms
	Transfer Rate		Rotational Speed	10,000 rpm
	Synchronous (Maximum)	160 MB/s	Physical Configuration	
			Bytes/Sector	512
			Logical Blocks	35,565,080
			Operating Temperature	50° to 95°F/10° to 35°C

9.1 GB 10K	Capacity	9100.0 MB	Seek Time (typical reads, including settling)	
	Height	1 in/25.4 mm	Single Track	0.8 ms
	Width	3.5 in/88.9 mm	Average	5.0 ms
	Interface	Wide Ultra3 SCSI	Full-Stroke	12 ms
	Transfer Rate		Rotational Speed	10,000 rpm
	Synchronous (Maximum)	160 MB/s	Physical Configuration	
			Bytes/Sector	512
			Logical Blocks	17,773,524
			Operating Temperature	50° to 95°F/10° to 35°C

Technical Specifications

40X Max IDE CD-ROM Drive

Disk	
Applicable Disk	CD-ROM, CD-XA, CD-DA, (Mode 1, Mode 2, Form 1 and 2) Photo CD (Single and Multi-session) Mixed Mode (Audio and Data combined) CD-R
Capacity	540 MB (Mode 1, 12 cm) 650 MB (Mode 2, 12 cm)
Block Size	
Mode 1	2,048 bytes
Mode 2	2,340 bytes, 2336 bytes
CD-DA	2,352 bytes
CD-XA	2,328 bytes
Interface	IDE (ATAPI)
Access Times (typical)	
Random	100 ms
Full-Stroke	150 ms
Audio Output Level	
Line-Out	0.7 VRMS at 47 kOhms
Data Transfer Rate	
Sustained	150 KB/s (1X audio)
Burst	16.67 Mbytes/sec
Cache Buffer	128 KB
Start-up Time (typical)	< 7 seconds
Stop Time	< 4 seconds
Laser Parameters	
Type	Semiconductor Laser GaAlAs
Wave Length	780 ± 25 nm
Operating Conditions	
Temperature	41° to 113°F/5° to 45°C
Humidity	10% to 80%
Dimensions	
(HxWxD, maximum)	1.7 x 5.85 x 8.11 in/42.9 x 150 x 208 cm
Weight	2.09 lbs/0.95 kg

Technical Specifications

32X Max IDE CD-ROM Drive

Disk	
Applicable Disk	CD-ROM (Mode 1 and 2), CD-DA, CD-XA (Mode 2, Form 1 and 2), CD-I ready, Photo CD (Single and Multi-session), Mixed Mode (Audio and Data combined), CD-WO
Capacity	650 MB
Block Size	2,048, 1,024 bytes (Mode 1), 2,340, 2,336, 1,024 bytes (Mode 2), 2,352 bytes (CD-DA), 2,328 bytes (CD-XA)
Rotational Speed	5,200 rpm
Diameter	4.7 in, 3.15 in/12 cm, 8 cm
Center Hole	0.6 in/15 mm diameter
Thickness	1.2 mm
Track Pitch	1.6 μ m
Interface	IDE (ATAPI)
Access Times (typical)	
Random	< 100 ms
Full-Stroke	< 150 ms
Audio Output Level	
Line-Out	0.7 VRMS at 47 kOhms
Headphone	0.6 VRMS at 32 Ohms (maximum volume)
Data Transfer Rate	
Sustained	150 KB/s (single)
Burst	150 to 4800 KB/s
Cache Buffer	128 KB
Start-up Time (typical)	< 7 seconds
Stop Time	< 4 seconds
Laser Parameters	
Type	Semiconductor Laser GaA1As
Wave Length	780 \pm 25 nm
Divergence Angle	53.5 $^{\circ}$ \pm 1.5 $^{\circ}$
Output Power	0.14mW
Operating Conditions	
Temperature	41 $^{\circ}$ to 113 $^{\circ}$ F/5 $^{\circ}$ to 45 $^{\circ}$ C
Humidity	10% to 80%
Dimensions	
(HxWxD, maximum)	1.69 x 5.91 x 8.2 in/4.29 x 15.01 x 20.8 cm
Weight	2.09 lbs/0.95 kg
<hr/>	
Drives Supported	Up to 14 SCSI devices
Data Transfer Method	64-bit PCI bus-master
SCSI Channel Transfer Rate	80 MB/s per channel
Maximum Transfer Rate per PCI Bus (peak)	133 MB/s
SCSI Protocols	Wide Ultra2 SCSI Fast SCSI-2
Electrical Protocol	Low Voltage Differential (LVD)
SCSI Termination	Active Termination
External SCSI Connectors	Two 80-pin VHDCI connectors
Internal SCSI Connectors	Two 68-pin Wide-Ultra SCSI-3 connectors

Integrated Single Channel Wide Ultra2 SCSI Adapter

Technical Specifications

Compaq RAID LC2 Controller

Protocol	Wide Ultra2 SCSI
SCSI Electrical Interface	Low Voltage Differential (LVD)
Drives Supported	Wide Ultra3 and Wide Ultra2 SCSI hard drives (Ultra3 drives will operate at 80 MB/s max transfer rate)
SCSI Port Connectors	Single Internal SCSI port
Data Transfer Method	32-Bit PCI bus-master
Maximum Transfer Rate on System Bus (peak)	133 MB/s
Simultaneous Drive Transfer Channels	One
Channel Transfer Rate	80 MB/s per channel
Software Upgradeable Firmware	Yes
Cache Memory	8 MB Read Cache
Logical Drives Supported	32

64-bit/66-MHz Single Channel Wide Ultra3 SCSI Adapter

Drives Supported	Up to 14 SCSI devices
Storage Capacity	254.8 GB
Data Transfer Method	64-bit / 66-MHz PCI bus-master
Maximum SCSI Channel Transfer Rate	160 MB/s per channel
Maximum Transfer Rate per PCI Bus (peak)	532 MB/s per channel
SCSI Protocols	Wide Ultra3 SCSI Wide Ultra2 SCSI Wide-Ultra SCSI-3 Fast-Wide SCSI-2 Fast SCSI-2
Electrical Protocol	Low Voltage Differential (LVD)
SCSI Termination	Active Termination
External SCSI Connectors	One 68-pin Wide Ultra-SCSI-3 connector
Internal SCSI Connectors	Two 68-pin Wide Ultra-SCSI-3 connectors (one LVD and one SE) One 50-pin Narrow Ultra connector

Technical Specifications

64-bit/66-MHz Dual
Channel Wide Ultra3
SCSI Adapter

Drives Supported	Up to 28 SCSI devices (14 per channel)
Storage Capacity	509.6 GB
Data Transfer Method	64-bit/66-MHz PCI bus-master
Maximum SCSI Channel Transfer Rate	160 MB/s per channel
Maximum Transfer Rate per PCI Bus (peak)	532 MB/s per channel
SCSI Protocols	Wide Ultra3 SCSI Wide Ultra2 SCSI Wide-Ultra SCSI-3 Fast-Wide SCSI-2 Fast SCSI-2
Electrical Protocol	Low Voltage Differential (LVD)
SCSI Termination	Active Termination
External SCSI Connectors	Two 68-pin VHDCI connectors
Internal SCSI Connectors	Two 68-pin Wide-Ultra SCSI-3 connectors One 50-pin Narrow Ultra connector

Technical Specifications

Smart Array 431 Controller

Data Compatible with all Smart Array Controllers	Yes
Instant Upgrades to other Smart Array Controllers	Yes
Consistent Software Manageability Tools	Yes
PCI Bus	64-bit, 66MHz
PCI Peak Data Transfer Rate	533 MB/s
SCSI Protocols Supported	Ultra3, Ultra2, Wide-Ultra
SCSI Peak Data Transfer Rate	160 MB/s
Channels	1
SCSI Ports (external/internal)	1/1
Drives Supported (maximum)	14
Note: Drives Supported (maximum) is based on use of Compaq StorageWorks Enclosure 4200 family (14 hard disk drive enclosure).	
Cache	16-MB cache engine
RAID Support	0, 1, 0+1 5
Logical Drives (maximum)	32
Online Configuration	Yes
Online Capacity Expansion	Yes
Logical Drive Capacity Extension	Yes
Online Stripe Size Migration	Yes
Online RAID Level Migration	Yes
Online Spare Support	Yes
Automatic Data Recovery	Yes
Drive Roaming	Yes
Redundant Controllers	No

Video Controller

Controller Chip	ATI RAGE XL
Video DRAM	4 MB Video SDRAM
Data Transfer Method	32-bit PCI
Support Resolution	Supported Color Depths:
640 x 480	16.7M, 64K, 256, 16
800 x 600	16.7M, 64K, 256, 16
1024 x 768	16.7M, 64K, 256, 16
1152 x 864	16.7M, 64K, 256, 16
Connector	VGA